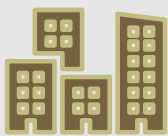




LI-XNX-BOX-GMSL2



Address:

48820 Kato Road
Suite 100B
Fremont, CA 94538
USA



Phone:

+1 (408)263-0988

Fax:

+1 (408)217-1960



Sales:

sales@leopardimaging.com

Support:

support@leopardimaging.com

INTRODUCTION

The LI-XNX-BOX-GMSL2 includes Nvidia Jetson Xavier NX™ SOM, Xavier NX carrier board, De-Serializer adapter board with Maxim GMSL2 MAX9296A and passive cooling aluminum case. This product supports GMSL2 cameras which are equipped with Maxim GMSL2 MAX9295A/B serializers.

KEY FEATURES

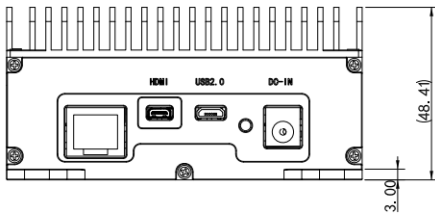
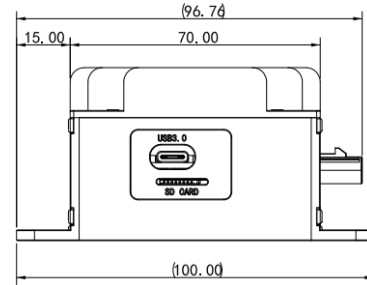
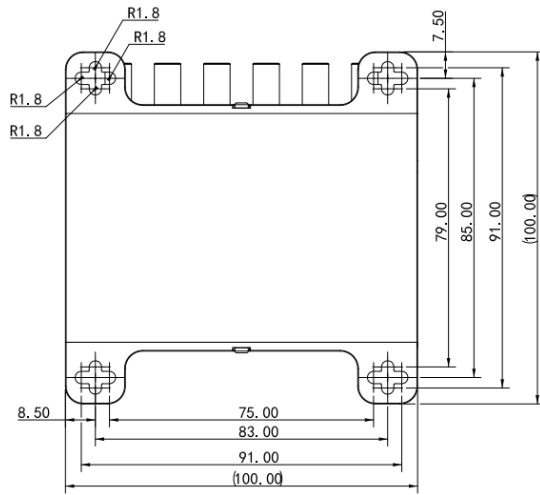
- Nvidia® Jetson Xavier NX™ SOM Included
- CPU: NVIDIA Carmel ARMv8.2 (6-core) @ 1.4GHz (6MB L2 + 4MB L3)
- GPU: 384-core Volta @ 1100MHz + 48 Tensor Cores
- DL: Dual NVIDIA Deep Learning Accelerators
- Memory: 8GB 128-bit LPDDR4x @ 1600MHz | 51.2GB/s
- Storage: 16GB internal eMMC 5.1
 - 1 M.2 PCIe interface
 - 1 Micro SD card interface
- Vision: 7-way VLIW Vision Accelerator
- Encoder: (2x) 4Kp30, (6x) 1080p60, (12x) 1080p3
- Decoder: (2x) 4Kp60, (4x) 4Kp30, (12x) 1080p60
- Wireless: 1 M.2 PCIe interface
- Ethernet: 10/100/1000 BASE-T Ethernet
- Camera: 6 GMSL2 interfaces (6 x 2-lane MIPI CSI-2 | 2.5 Gbps per lane)
- Connector: FAKRA Z TYPE
- Input voltage range: 9 ~ 19 VDC
- DeSerializer: Maxim MAX9296A
- Single Coax Cable transmits up to 12 meters PoC (Power over Cable)
- Operating temperature: -20°C - +70°C
- Includes 4 mounting holes
- Weight: TBD
- Sizes: 100 (L) x 100 (W) x 48.41 (H) mm
- Part#: **LI-XNX-BOX-GMSL2**

INTERFACES

- 6 x GMSL2 interfaces
- 1 x Micro SD card interface
- 1 x Micro HDMI connector
- 1 x Power socket (DC 12V)
- 1 x RJ45 Ethernet connector
- 1 x USB 3.0 Type-C interface
- 1 x USB 2.0 Micro-B interface
- 1 x M.2 PCIe port
- REC, RST and PWR buttons included



DIMENSIONS



TOLERANCE TABLE		
Size X (mm)	Tolerance (mm)	Angle Tolerance (°)
0.5 < X ≤ 3	±0.1mm	±0.05°
3 < X ≤ 6	±0.1mm	±0.05°
6 < X ≤ 30	±0.2mm	±0.05°
30 < X ≤ 120	±0.3mm	±0.05°
120 < X ≤ 400	±0.5mm	±0.1°
400 < X ≤ 1000	±0.8mm	±0.1°
X > 1000	±1.2mm	±0.1°

NOTE:

Tolerance for others unmarked - refer to the Tolerance table.

Unit: mm

BOM

#	Items	QTY
1	LI-XNX-BOX-GMSL2	1
2	LI-PS12-02 power adapter	1
3	USB 2.0 Type A - Micro B cable	1

● REVISION HISTORY

Revision	Description	Release Date
1.0	First release	09 Aug 2020
1.1	Added more spec information.	13 Sep 2020
1.2	Added input voltage range.	11 Apr 2022

48820 Kato Rd, Suite 100B, Fremont, CA 94538, USA

Phone: +1-408-263-0988

Fax: +1-408-217-1960

Email: sales@leopardimaging.com

Website: www.leopardimaging.com

