



LI-VENUS-OX03F10-96717-xxxH



Address:

910 Auburn Ct
Fremont, CA 94538
USA



Phone:

+1 (408)263-0988

Fax:

+1 (408)217-1960



Sales:

sales@leopardimaging.com

Support:

support@leopardimaging.com

INTRODUCTION

The LI-VENUS-OX03F10-96717-xxxH is equipped with OmniVision CMOS high-definition high dynamic range CMOS sensor OX03F10 and Maxim serializer MAX96717. This camera outputs 12-bit / 14-bit / 16-bit / 20-bit RAW data.

SPECIFICATIONS

Sensor	OmniVision high-definition high dynamic range sensor OX03F10
Optical Format	1/2.44"
Resolution	1920 (H) x 1536 (V) (active pixels)
Pixel Size	3.0 x 3.0 μm
Output Format	12-bit / 14-bit / 16-bit / 20-bit RAW
Color / Mono	Color sensor
Maximum Frame Rate	60 fps @ 1920 x 1536
HDR (High Dynamic Range)	Supported
LFM (LED Flicker Mitigation)	Supported
Lens	FOV H 28° / 60° / 120° / 195°
IP Rating	FOV H 60° / 120° / 195°: IP69K FOV H 28°: IP5K2
Serializer	Maxim MAX96717
Power Supply Range	8 ~ 17 VDC
Connector	FAKRA Z TYPE
Power Consumption	78 mA @ 12 VDC (1920 x 1542 @ 38 fps)
Operating Temp	-40°C ~ +85°C
Storage Temp	-40°C ~ +85°C
Weight	~ 35 g
Part#	LI-VENUS-OX03F10-96717-xxxH

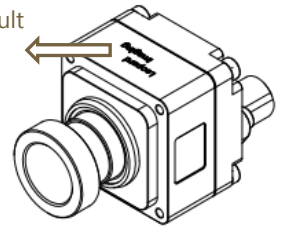
APPLICATIONS

- Automotive
 - ◆ SVS
 - ◆ Rear View Camera
 - ◆ Autonomous Driving

DEFAULT IMAGING DIRECTION

- The logo "Leopard Imaging" is on the TOP.

TOP (Default Imaging Direction)

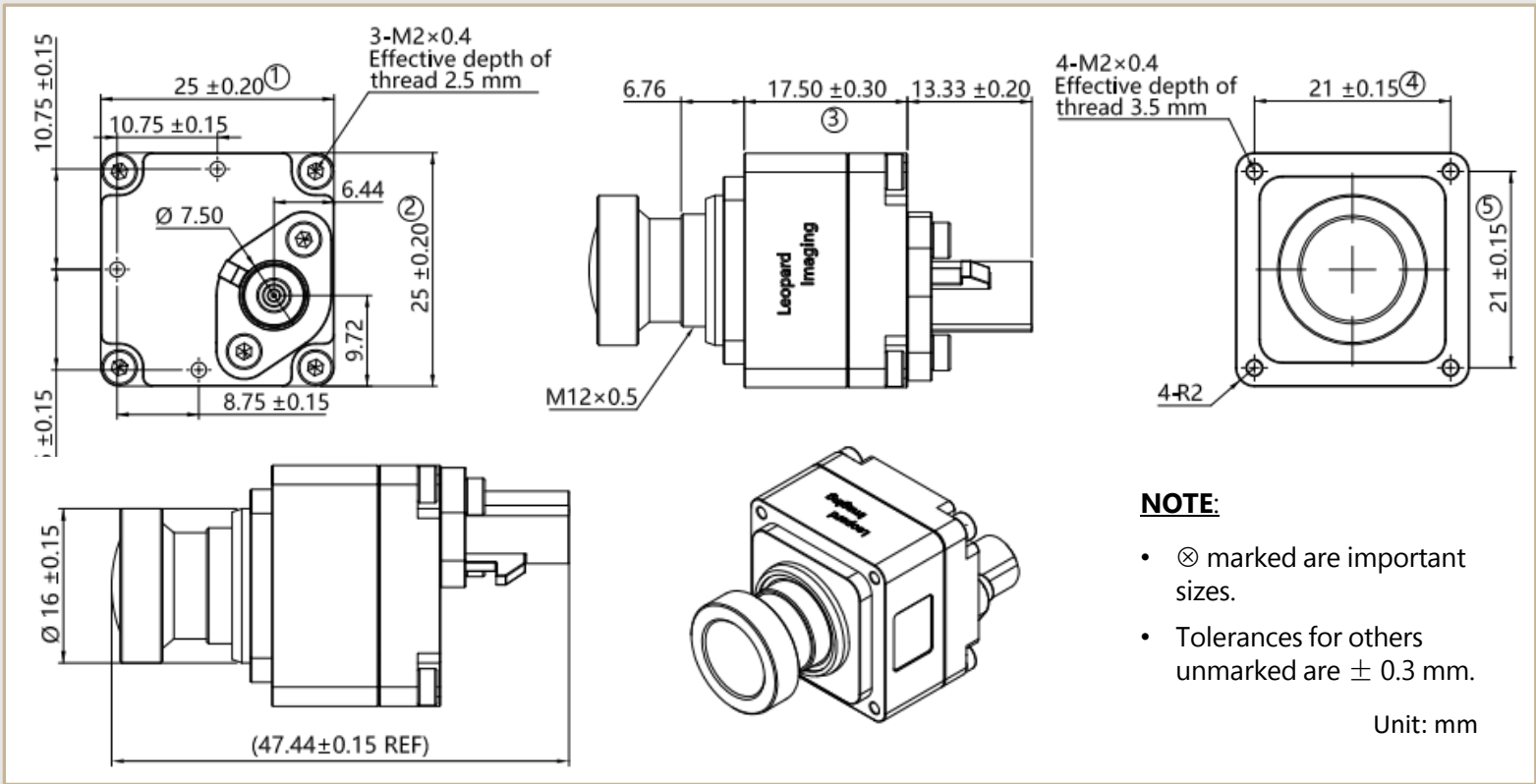


CABLE CONNECTOR

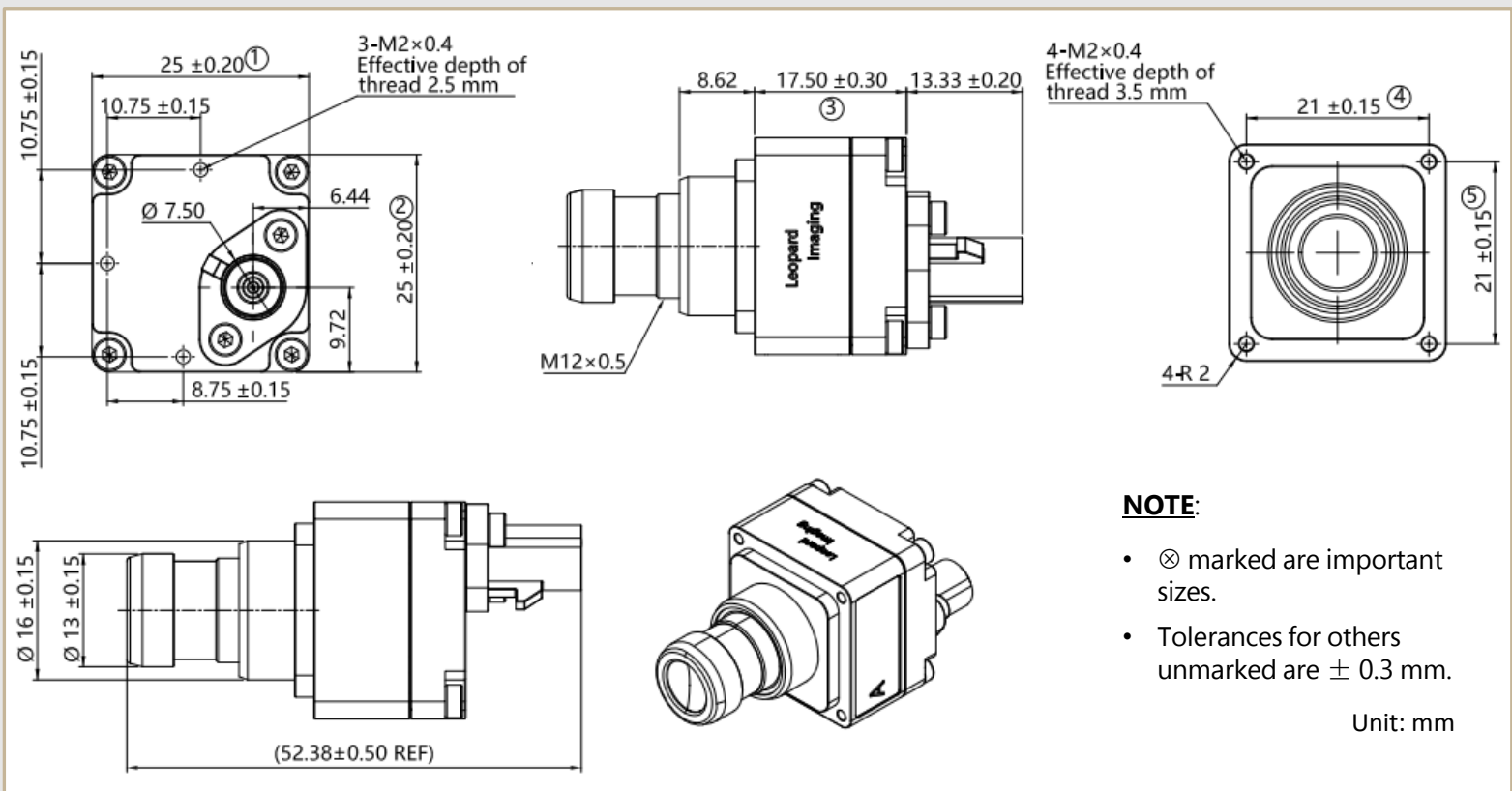
- Housing Connector
FAKRA Z Type
- Cable Length: 3 meters
- Cable Part#: FAK-SMZSMZ-3M



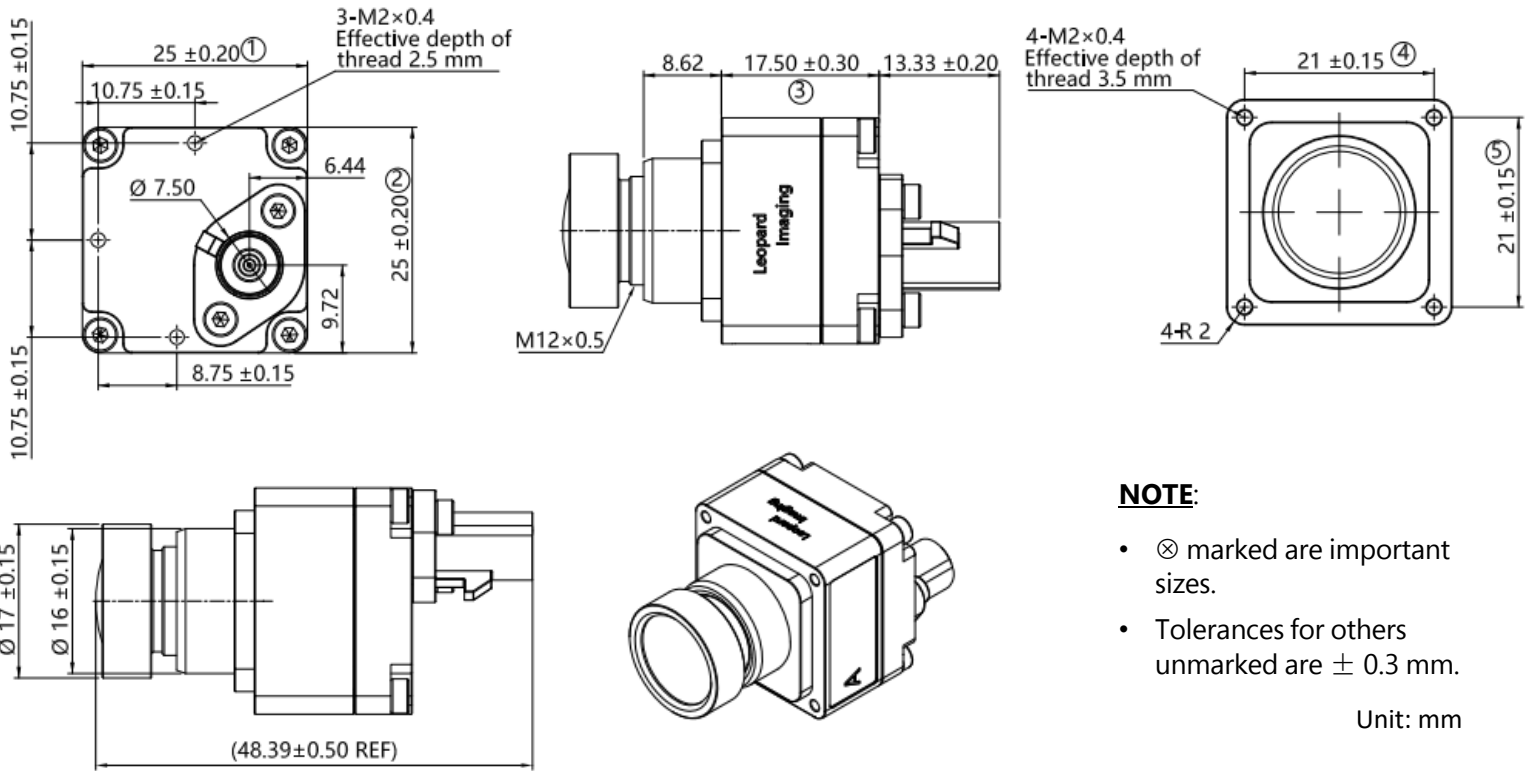
DIMENSIONS: LI-VENUS-OX03F10-96717-028H



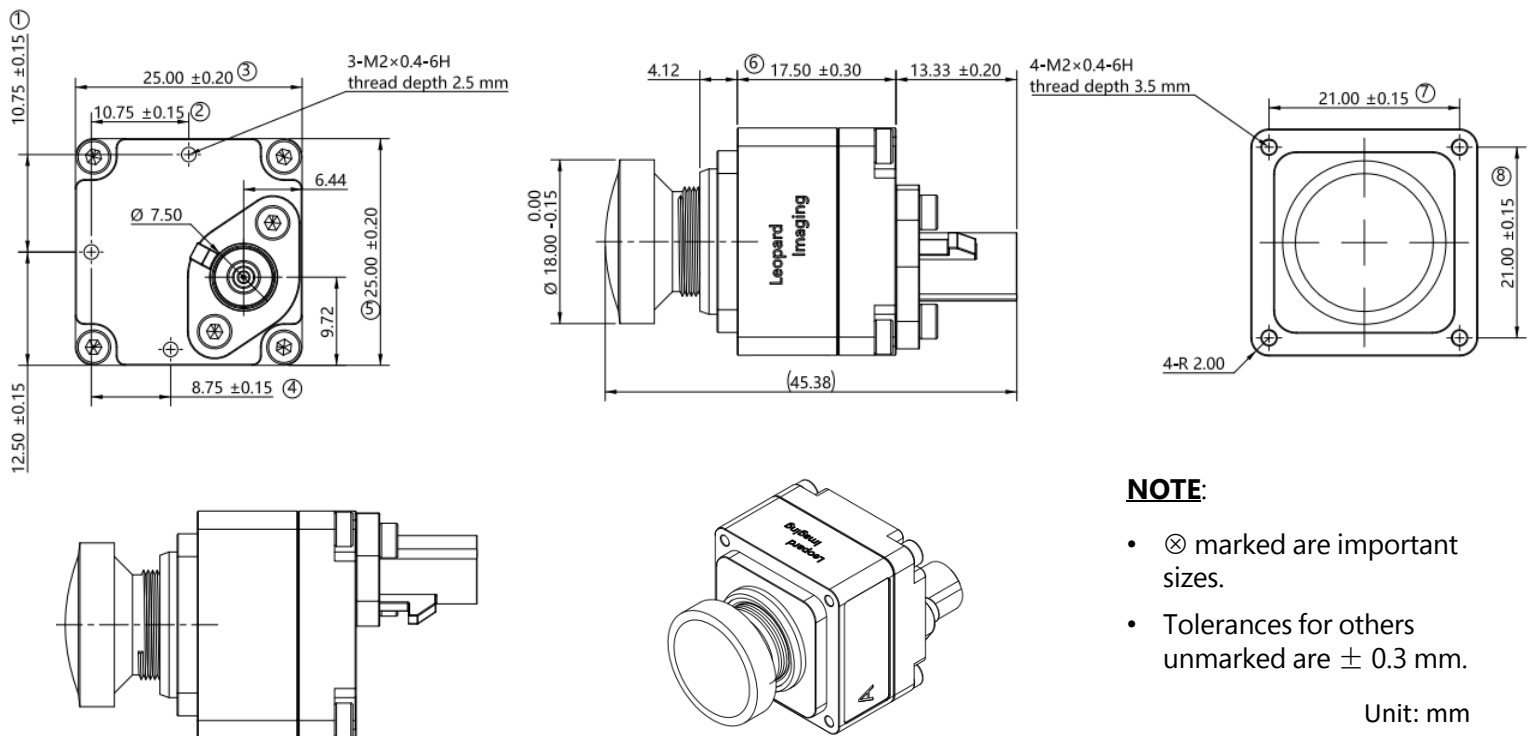
DIMENSIONS: LI-VENUS-OX03F10-96717-060H



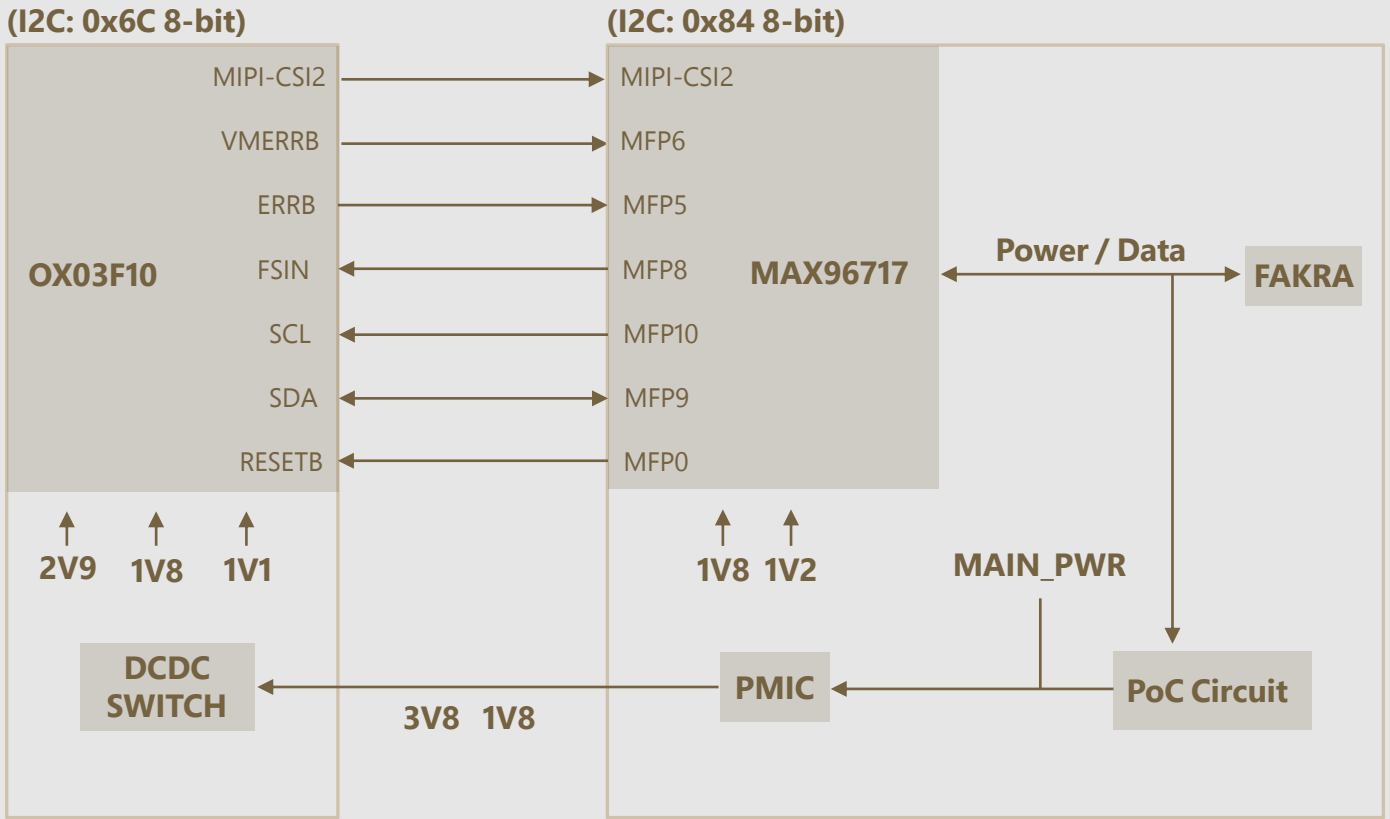
DIMENSIONS: LI-VENUS-OX03F10-96717-120H



DIMENSIONS: LI-VENUS-OX03F10-96717-195H



PINOUT CONNECTIONS



ORDERING INFORMATION

NOTE:

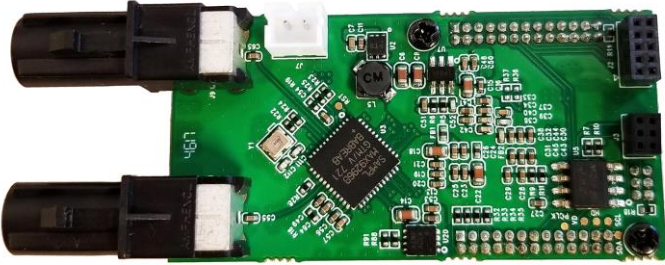
xxxH refers to 028H (FOV H 28°), 060H (FOV H 60°), 120H (FOV H 120°) or 195H (FOV H 195°)

LI-VENUS-OX03F10-96717-028H	LI-VENUS-OX03F10-96717-060H
	
Lens EFL: 11.655 mm \pm 5%	Lens EFL: 5.83 mm \pm 2%
Aperture, F/#: 2.5 \pm 5%	Aperture, F/#: 1.8 \pm 5%
Field of View (FOV): 28.02° \pm 2° horizontal	Field of View (FOV): 60° horizontal (2Y' = 5.784 mm)
Optical Distortion: -1.38% \pm 5% (F-tan θ)	Optical Distortion: < -20.07% (2Y' = 6.826 mm)
Relative Illumination: \geq 80.0%	Relative Illumination: 90% (2Y' = 6.826 mm)
IR Filter: 690 nm IR cut filter	IR Filter: 650 nm IR cut filter
Mount: M12 x P0.5	Mount: M12 x P0.5
IP Rating: IP5K2	IP Rating: IP69K

LI-VENUS-OX03F10-96717-120H	LI-VENUS-OX03F10-96717-195H
	
Lens EFL: 2.9 mm	Lens EFL: 1.51 mm \pm 5%
Aperture, F/#: 1.8	Aperture, F/#: 2.0 \pm 5%
Field of View (FOV): 120° horizontal	Field of View (FOV): 195.9° \pm 3° horizontal (y = 2.880 mm)
Distortion: -42% @ HFOV	F- θ Distortion: -154.2% (y = 3.025 mm)
Relative Illumination: 82% @ HFOV	Relative Illumination: 37% (y = 3.025 mm)
IR Filter: 700 nm IR cut filter	IR Filter: 650 nm IR cut filter
Mount: M12 x P0.5	Mount: M12
IP Rating: IP69K	IP Rating: IP69K

USB3.0 CAMERA KIT

LI-GMSL2-USB



Top View



Bottom View

LI-VENUS-OX03F10-96717-xxxH can connect to LI-GMSL2-USB as a USB 3.0 camera.

Part#: **LI-USB30-VENUS-OX03F10-96717-xxxH**

SPECIFICATIONS

- USB 3.0 Super Speed support
- UVC compliant
- Allows customization
- 12 VDC Power Supply for camera
- Weight: ~ 190 g
- Single Coax Cable transmits up to 12 meters PoC (Power over Cable)
- Resolution: 1920 x 1542 @ 38 fps
- Power consumption: 78 mA @ 12 VDC
- Compatible with Windows, Linux OS and other OS which have UVC drivers



BOM

#	Items	QTY
1	LI-VENUS-OX03F10-96717-xxxH	1
2	LI-GMSL2-USB	1
3	3-Meter Fakra Cable	1
4	12 VDC Power Supply	1
5	USB3.0 Cable	1

SDK SUPPORTED

- Camera Tool Source Code in C#
- Capture & Display
- Register Access Function

● REVISION HISTORY

Revision	Description	Release Date
1.0	First release.	14 Apr 2023

910 Auburn Ct, Fremont, CA 94538, USA
Phone: +1 (408)263-0988
Fax: +1 (408)217-1960
Email: sales@leopardimaging.com
Website: www.leopardimaging.com

