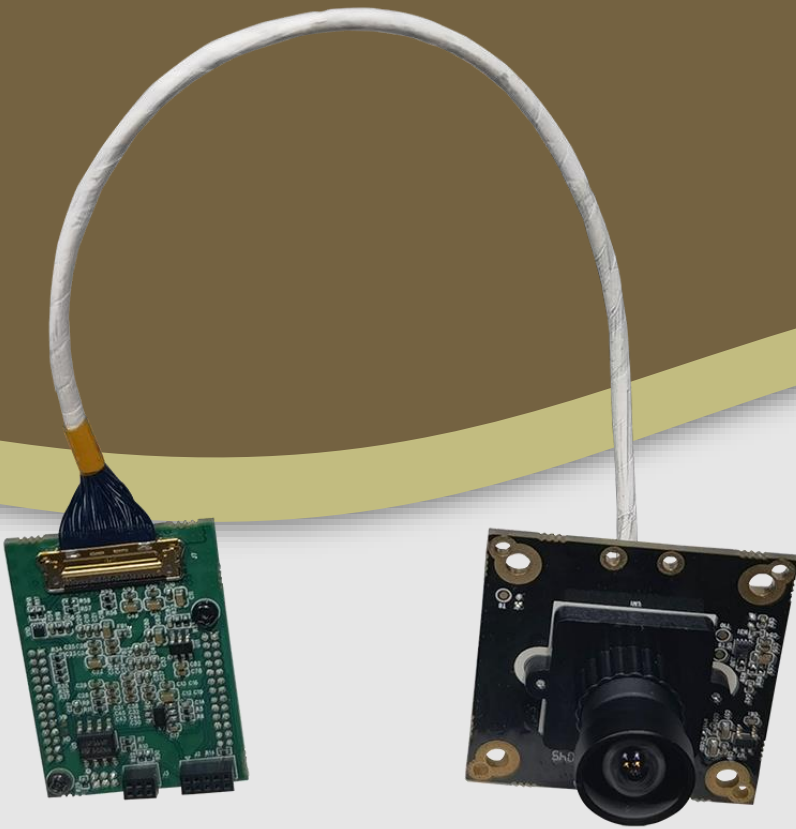




LI-USB30-IMX477



Address:

48820 Kato Road
Suite 100B
Fremont, CA 94538
USA



Phone:

+1 (408)263-0988

Fax:

+1 (408)217-1960



Sales:

sales@leopardimaging.com

Support:

support@leopardimaging.com

Key Features

- USB 3.0 Super Speed support
- RAW data output without compression
- UVC compliant
- Color camera
- Supports M12 / CS lens
- Allows customization
- USB +5 VDC powered device
- Part#: LI-USB30-IMX477

Default Lens Specifications

| | |
|------------------------|----------------------|
| Effective Focal Length | 3.25 mm \pm 5% |
| Aperture, F/# | 2.60 \pm 5% |
| Field of View (FOV) | 101.6° diagonal |
| | 88.5° horizontal |
| | 71.6° vertical |
| TV Distortion | < -0.6% |
| Relative Illumination | > 58.98% |
| IR Filter | 650 nm IR cut filter |
| Lens Mount | M12 x P0.5 |

Applications

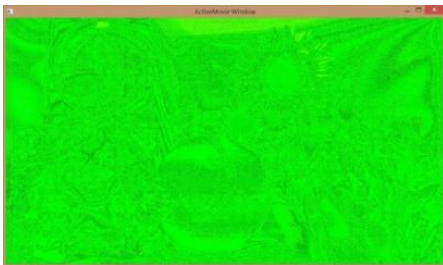
- Machine Vision
- Medical Camera
- Scientific Camera

SDK Supported

- Camera Tool Source Code in C#
- Capture & Display
- RAW to RGB Conversion
- Save file as BMP & RAW format
- Color Matrix
- Register access function

BOM

| # | Items | QTY |
|---|----------------------|-----|
| 1 | LI-IMX477-MIPI | 1 |
| 2 | LI-USB30 Main board | 1 |
| 3 | LI-CSLINK-IPX-TESTER | 1 |
| 4 | FAW-1233-02 (200 mm) | 1 |



RAW Data Streaming



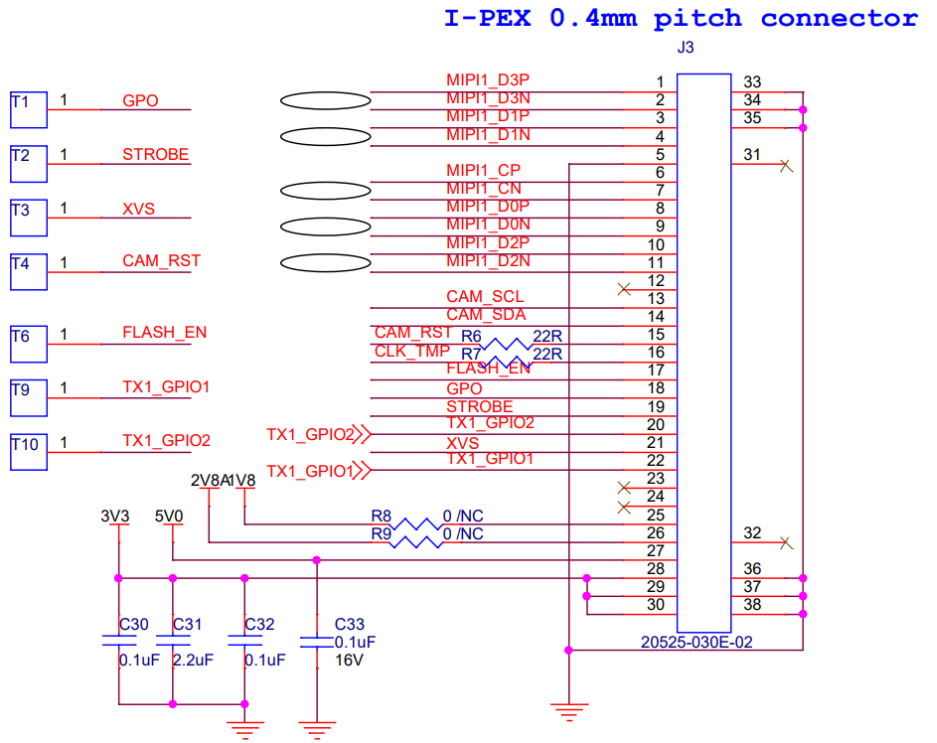
Camera Tool View Mode

SEPCIFICATIONS

| General Behavior | |
|--|---|
| Video Resolution @ Frame rate | 4056 x 3040 @ 12 fps |
| Bit Depth | 10-bit |
| Interface (Optical) | |
| IR Cut Filter (on lens) | 650 nm IR cut filter |
| Sensor | Sony Diagonal 7.857 mm (Type 1/2.3) CMOS Image Sensor IMX477 |
| Shutter | Rolling |
| Color / Mono | Color |
| Format | 1/2.3" |
| Active Pixels | 4056 (H) x 3040 (V) |
| Pixel Size | 1.55 x 1.55 μ m |
| Lens Mount | CS / M12 lens mount support (Default: M12 lens) |
| Interface (Electrical) | |
| Interface | USB 3.0 |
| Supply Voltage | USB 3.0 +5 VDC power source |
| Current Consumption | TBD |
| Interface (Mechanical) | |
| Dimensions | LI-IMX477-MIPI: 38.0 (L) x 38.0 (W) mm |
| | LI-USB30 Main board: 26.0 (L) x 26.0 (W) mm |
| | LI-CSLINK-IPX-TESTER: 36.5 (L) x 26.5 (W) mm |
| Weight (Without FAW-1233-xx cable) | LI-IMX477-MIPI-M12 + LI-USB30 Main board + LI-CSLINK-IPX-TESTER: ~ 25 g |
| | LI-IMX477-MIPI-CS + LI-USB30 Main board + LI-CSLINK-IPX-TESTER: ~ 67 g |
| Adjustment (Manual) | |
| Shutter | TBD |
| Gain | TBD |
| Register Access | Yes |
| Environmental | |
| Max. Temperature (Operation) | 0°C ~ +50°C (+32°F ~ +122°F) |
| Max. Temperature (Storage) | -20°C ~ +80°C (-4°F ~ +176°F) |
| Max. Humidity (Operation) | 20% ~ 80%, relative, non-condensing |
| Max. Humidity (Storage) | 20% ~ 80%, relative, non-condensing |
| Supported OS | |
| Windows OS, Standard Linux OS and other OS with full UVC drivers | |

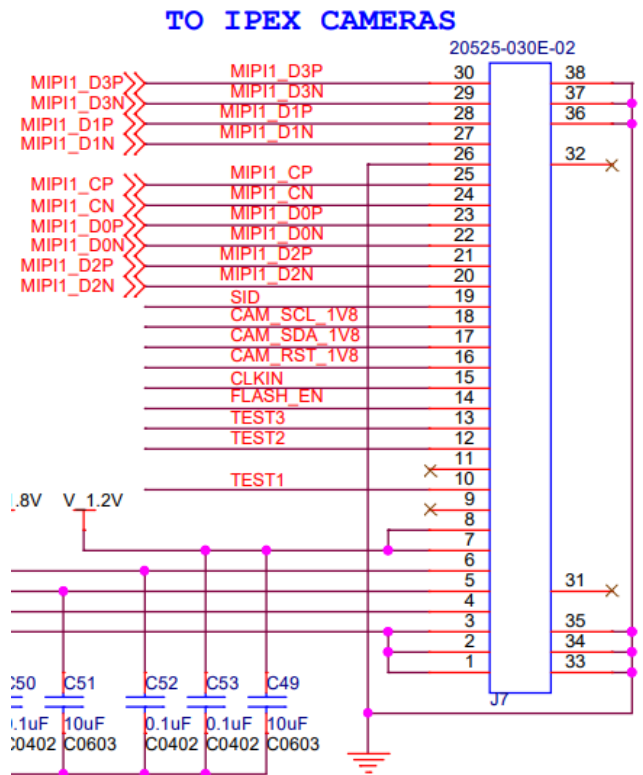
LI-IMX477-MIPI INTERFACE (MIPI Connector)

- Connector Part#: 20525-030E-02
- Number of Positions: 30
- Pitch: 0.4 mm
- Mating I-PEX Cable: FAW-1233-xx



LI-CSLINK-IPX-TESTER INTERFACE (To Cam)

- Part#: 20525-030E-02
- Number of Positions: 30
- Pitch: 0.4 mm
- Mating I-PEX Cable: FAW-1233-xx



● REVISION HISTORY

| Revision | Description | Release Date |
|----------|--|--------------|
| 1.0 | First release. | 13 May 2019 |
| 1.1 | 1. Replaced SYD1201A lens with JSD2733-A1. 2. Updated dimension and weight info and added interface part. | 25 Aug 2021 |

48820 Kato Rd, Suite 100B, Fremont, CA 94538, USA

Phone: +1-408-263-0988

Fax: +1-408-217-1960

Email: sales@leopardimaging.com

Website: www.leopardimaging.com

