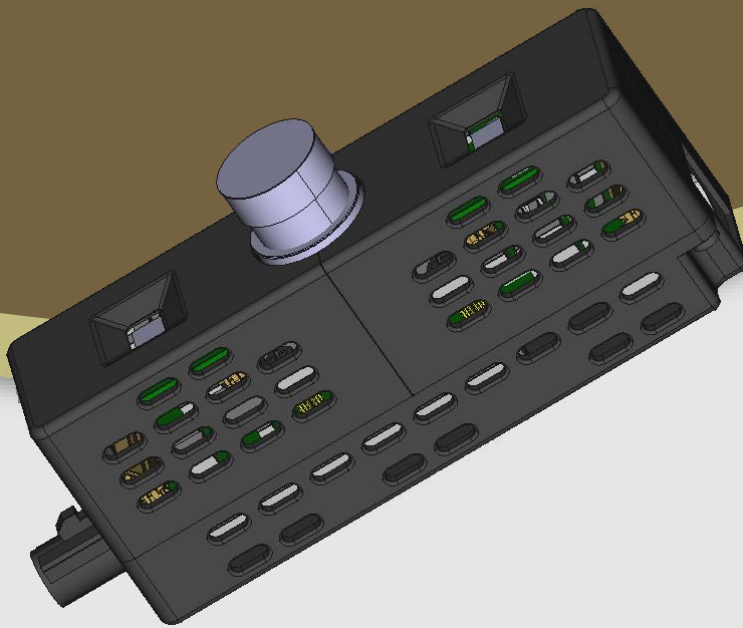




# LI-ST-VG1762-RGBIR-OMS/DMS



**Address:**

48820 Kato Road  
Suite 100B  
Fremont, CA 94538  
USA



**Phone:**

+1 (408)263-0988

**Fax:**

+1 (408)217-1960



**Sales:**

[sales@leopardimaging.com](mailto:sales@leopardimaging.com)

**Support:**

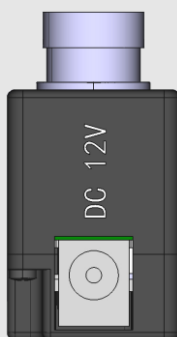
[support@leopardimaging.com](mailto:support@leopardimaging.com)

## INTRODUCTION

The LI-ST-VG1762-RGBIR-OMS/DMS is equipped with STMicroelectronics high-dynamic RGB-IR global shutter image sensor VG1762 which features high MTF, 940 nm IR filter, current monitoring, over current protection and over temp protection. This camera outputs 8-bit / 10-bit / 12-bit / 14-bit / 16-bit RAW data.

## SPECIFICATIONS

Sensor	STMicroelectronics HDR RGB-IR Global Shutter Image Sensor VG1762
Optical Format	1/2.5"
Resolution	1944 (H) x 1204 (V)
Pixel Size	3.2 x 3.2 $\mu\text{m}$
Output Format	8-bit / 10-bit / 12-bit / 14-bit / 16-bit RAW data
Color / Mono	RGB-IR
Shutter	Global shutter
Maximum Frame Rate	60 fps @ 1944 x 1204
Dynamic Range	96 dB
Serializer	Maxim MAX9295A/B
Power Supply Range	9 ~ 19 VDC
FPGA	Included for VCSEL control
ISP	Not included
VCSEL	Included
FAKRA Connector	FAKRA Z TYPE
Power Consumption	450 mA @ 12 VDC
Operating Temp	-25°C ~ +85°C
Storage Temp	-25°C ~ +85°C
Weight	TBD
Rev No.	Rev B
Part#	LI-ST-VG1762-RGBIR-OMS/DMS



## APPLICATIONS

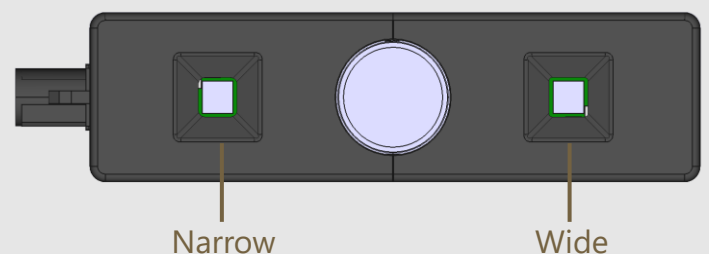
- Cabin Monitoring
- Driver Monitoring
- Autonomous Driving
- IR Application

## LENS SPECIFICATIONS

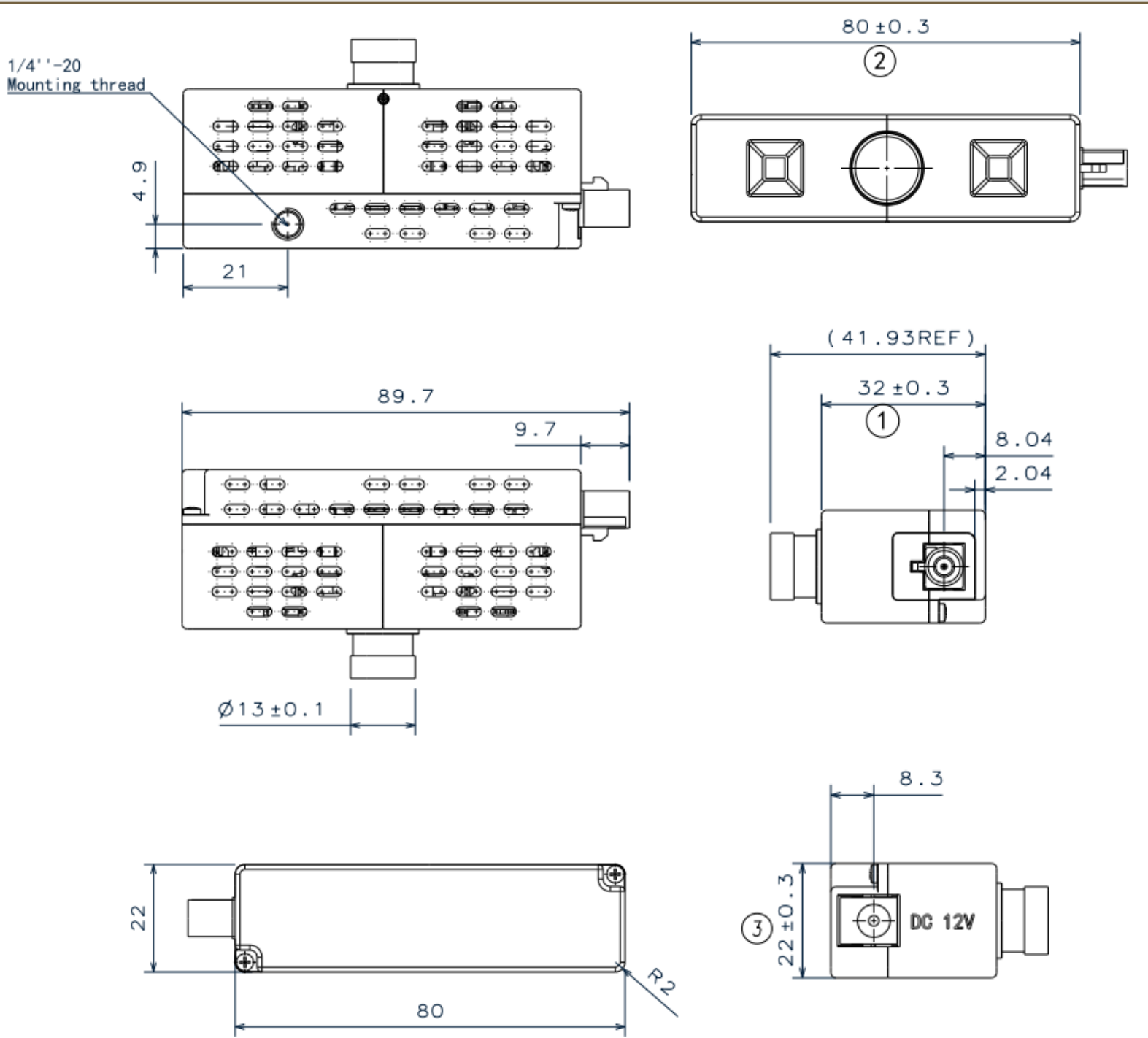
Effective Focal Length	3.723 mm
Aperture, F/#	1.7
Field of View (FOV)	122.06° diagonal
	100.94° horizontal
	60.42° vertical
Optical Distortion	-45.46%
Relative Illumination	61.67%
IR Filter	Visible + 940 nm
Lens Mount	M12 x P0.5

## VCSEL SPECIFICATIONS

Wavelength	940 nm
Field of Illumination (FOI): Wide	110° horizontal
	85° vertical
Field of Illumination (FOI): Narrow	60° horizontal
	45° vertical
Optical Power	4.5 W per VCSEL
QTY on Camera	2



# DIMENSIONS

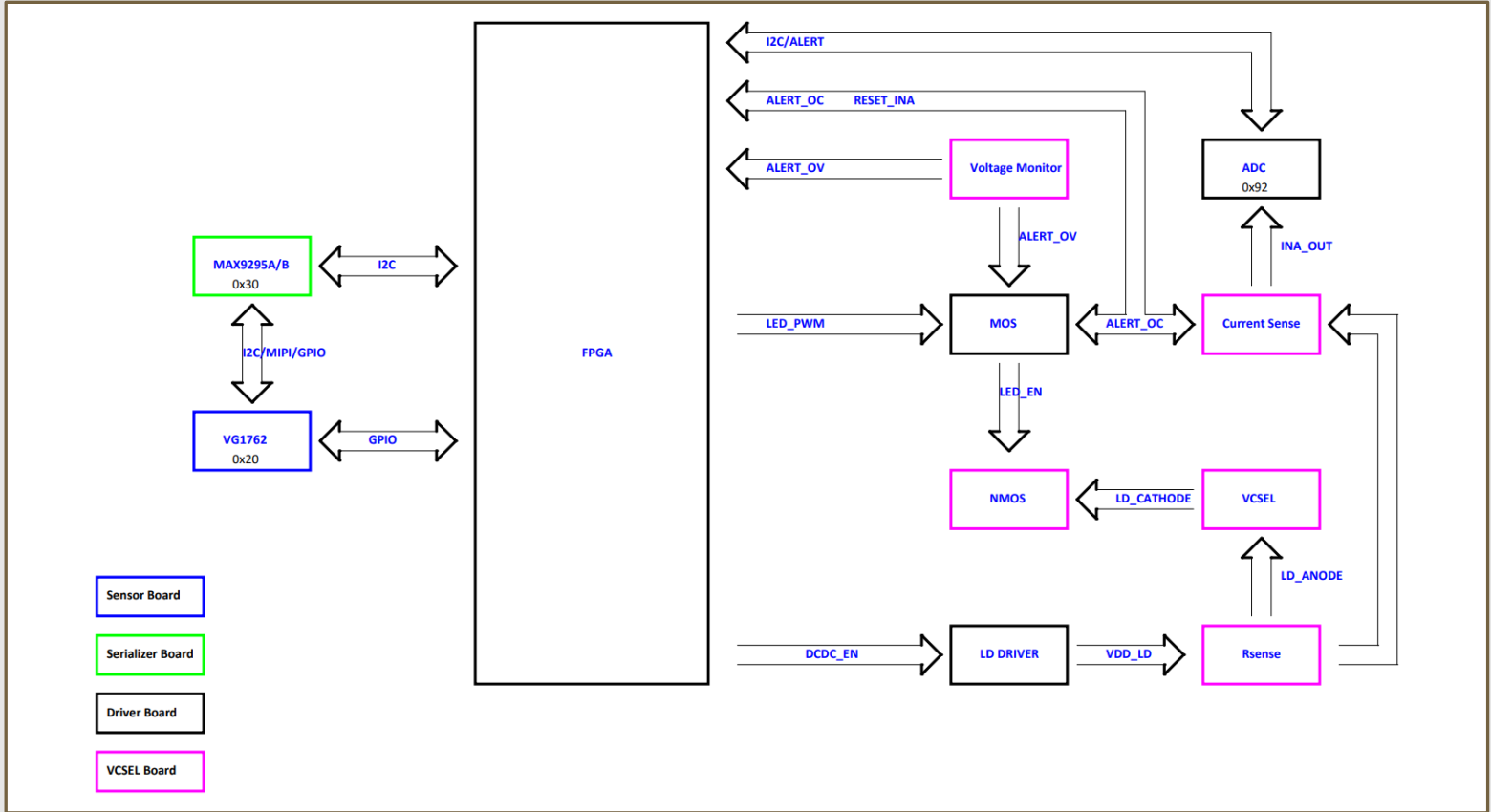


Note:

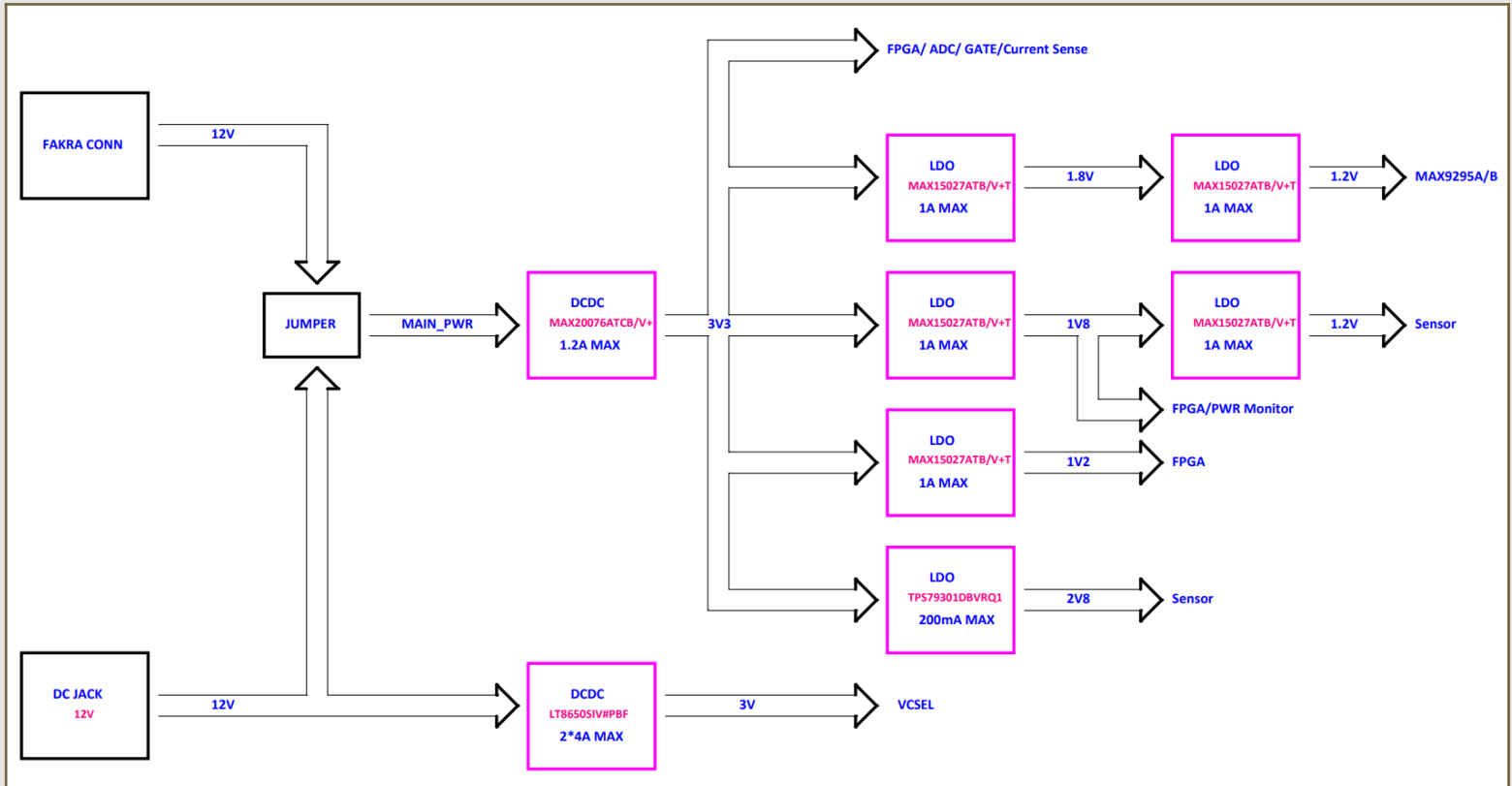
- ⊗ marked are important sizes.
- Tolerance for others unmarked is  $\pm 0.3$  mm.

Unit: mm

# SYSTEM BLOCK DIAGRAM



# POWER BLOCK DIAGRAM



# USB3.0 CAMERA KIT

LI-GMSL2-USB-BOX



Front View



Side View

LI-ST-VG1762-RGBIR-OMS/DMS can connect to LI-GMSL2-USB-BOX as a USB 3.0 camera.

Part#: **LI-USB30-ST-VG1762-RGBIR-OMS/DMS**

## SPECIFICATIONS

- USB 3.0 Super Speed support
- RAW output
- Global shutter
- UVC compliance
- Provide customization services
- 12 VDC power supply for camera
- Weight: TBD
- Single Coax Cable transmits up to 12 meters PoC (Power over Cable)
- Resolution: 1944 x 1204 @ 60 fps
- Support Windows, Linux OS and other OS which include the UVC drivers

## BOM

#	Items	QTY
1	LI-ST-VG1762-RGBIR-OMS/DMS	1
2	LI-GMSL2-USB-BOX	1
3	3-Meter Fakra Cable	1
4	12 VDC Power Supply	2
5	USB3.0 Cable	1



## SDK SUPPORTED

- Camera Tool Source Code in C#
- Capture & Display



## ● REVISION HISTORY

Revision	Description	Release Date
1.0	Initial draft.	27 Sep 2021
1.1	<ol style="list-style-type: none"><li>1. Changed Part# from LI-VG1761-GMSL2-DMS to LI-ST-VG1761-RGBIR-OMS/DMS.</li><li>2. Updated introduction and VCSEL power description.</li><li>3. Added Rev No. (Rev B.)</li></ol>	01 Dec 2021
1.2	Changed VG1761 to VG1762.	31 Dec 2021

48820 Kato Rd, Suite 100B, Fremont, CA 94538, USA

Phone: +1-408-263-0988

Fax: +1-408-217-1960

Email: [sales@leopardimaging.com](mailto:sales@leopardimaging.com)

Website: [www.leopardimaging.com](http://www.leopardimaging.com)

