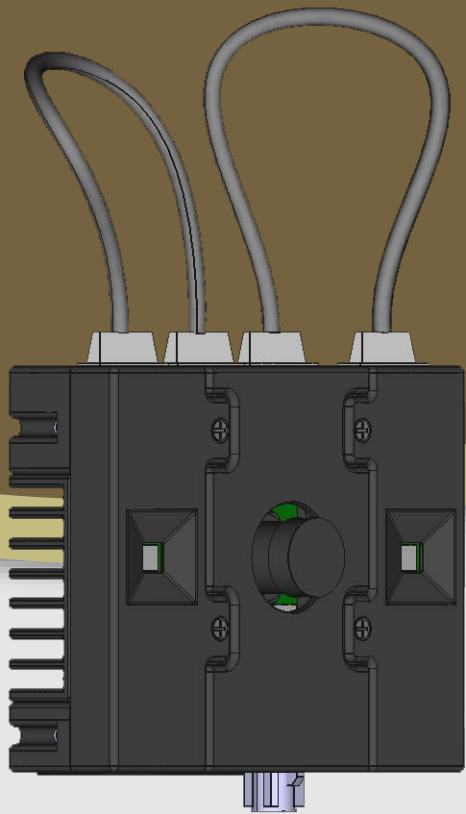




LI-ST-VG1762-RGBIR-OMS/DMS-T



Address:

48820 Kato Road
Suite 100B
Fremont, CA 94538
USA



Phone:

+1 (408)263-0988

Fax:

+1 (408)217-1960



Sales:

sales@leopardimaging.com

Support:

support@leopardimaging.com

INTRODUCTION

The LI-ST-VG1762-RGBIR-OMS/DMS-T is equipped with STMicroelectronics high-dynamic RGB-IR global shutter image sensor VG1762 which features high MTF. This camera outputs 8-bit / 10-bit / 12-bit / 14-bit / 16-bit RAW data.

SPECIFICATIONS

Sensor	STMicroelectronics HDR RGB-IR Global Shutter Image Sensor VG1762
Optical Format	1/2.5"
Maximum Resolution	1944 (H) x 1204 (V)
Pixel Size	3.2 x 3.2 μm
Output Format	8-bit / 10-bit / 12-bit / 14-bit / 16-bit RAW data
Color / Mono	RGB-IR
Shutter	Global shutter
Frame Rate	60 fps @ 1944 x 1204
Dynamic Range	96 dB
Serializer	Maxim MAX9295A/B
Power Supply Range	9 ~ 19 VDC
FPGA	Included for VCSEL and sensor control
ISP	Not included
VCSEL	Included
FAKRA Connector	FAKRA Z TYPE
Power Consumption	$\leq 113 \text{ mA}$ @ 12 VDC (Camera module + 2 LEDs)
Operating Temp	-25°C ~ +85°C
Storage Temp	-25°C ~ +85°C
Weight	TBD
Rev No.	Rev A
Part#	LI-ST-VG1762-RGBIR-OMS/DMS-T

APPLICATIONS

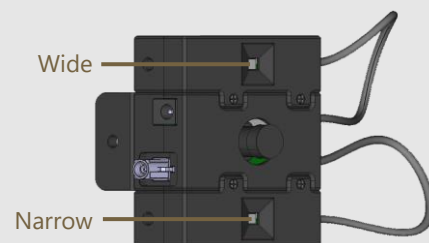
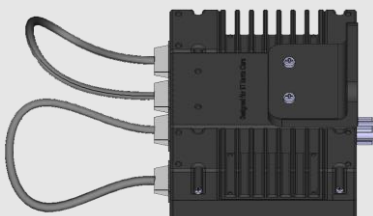
- Cabin Monitoring
- Driver Monitoring
- Autonomous Driving
- IR Application

LENS SPECIFICATIONS

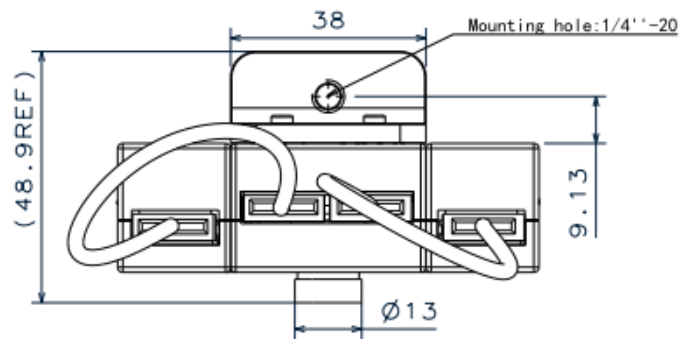
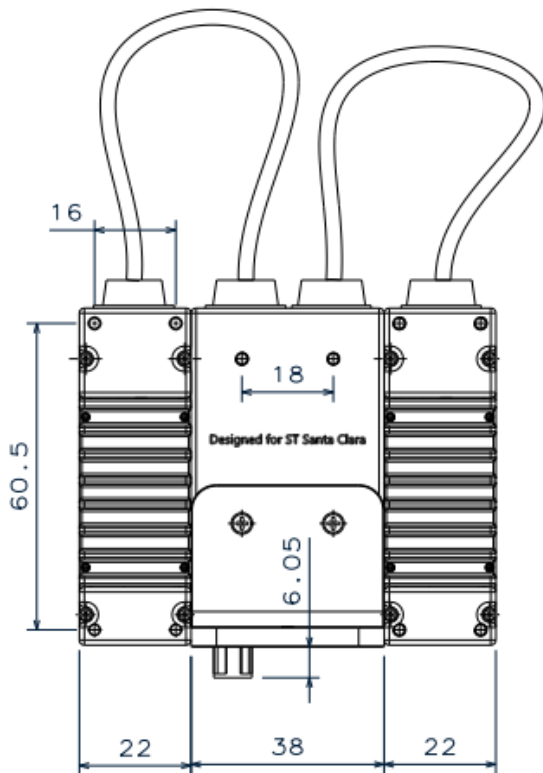
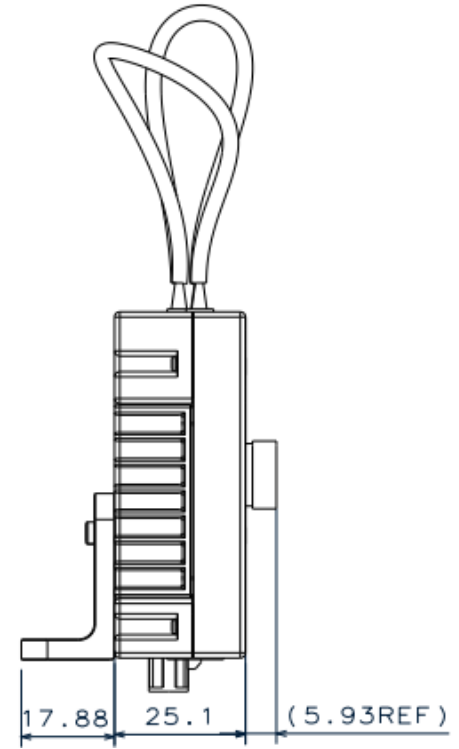
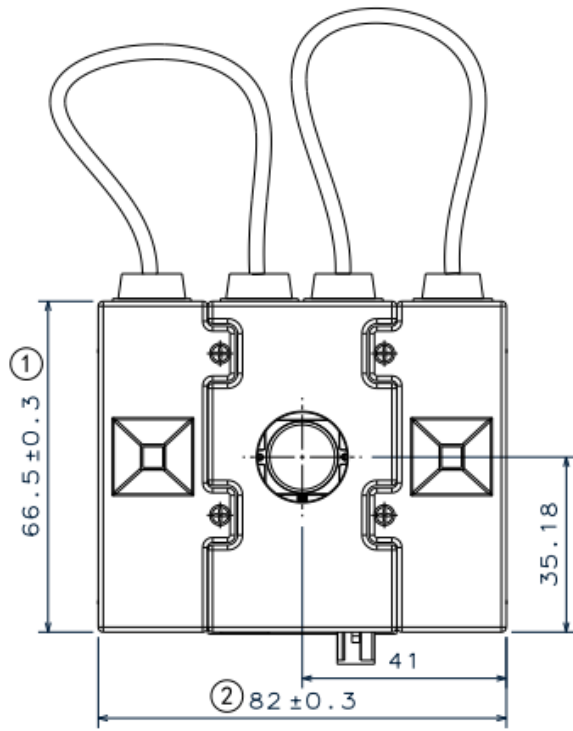
Focal Length	3.723 mm
Aperture, F/#	1.7
Field of View (FOV)	122.06° diagonal
	100.94° horizontal
	60.42° vertical
Optical Distortion	-45.46%
Relative Illumination	61.67%
IR Filter	Visible + 940 nm
Lens Mount	M12 x P0.5

VCSEL SPECIFICATIONS

Wavelength	940 nm
Field of Illumination (FOI): Wide	110° horizontal
	85° vertical
Field of Illumination (FOI): Narrow	60° horizontal
	45° vertical
Maximum Optical Power	6 W
QTY on Camera	2



DIMENSIONS

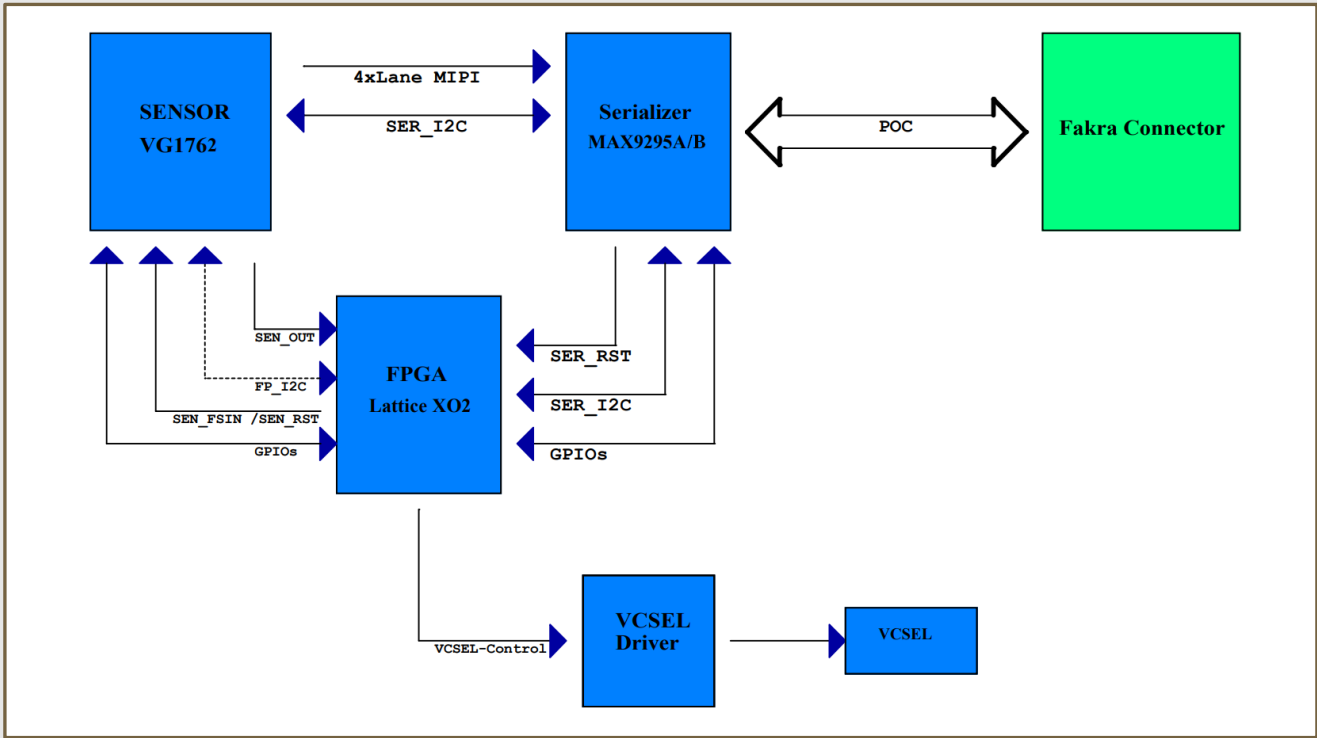


NOTE:

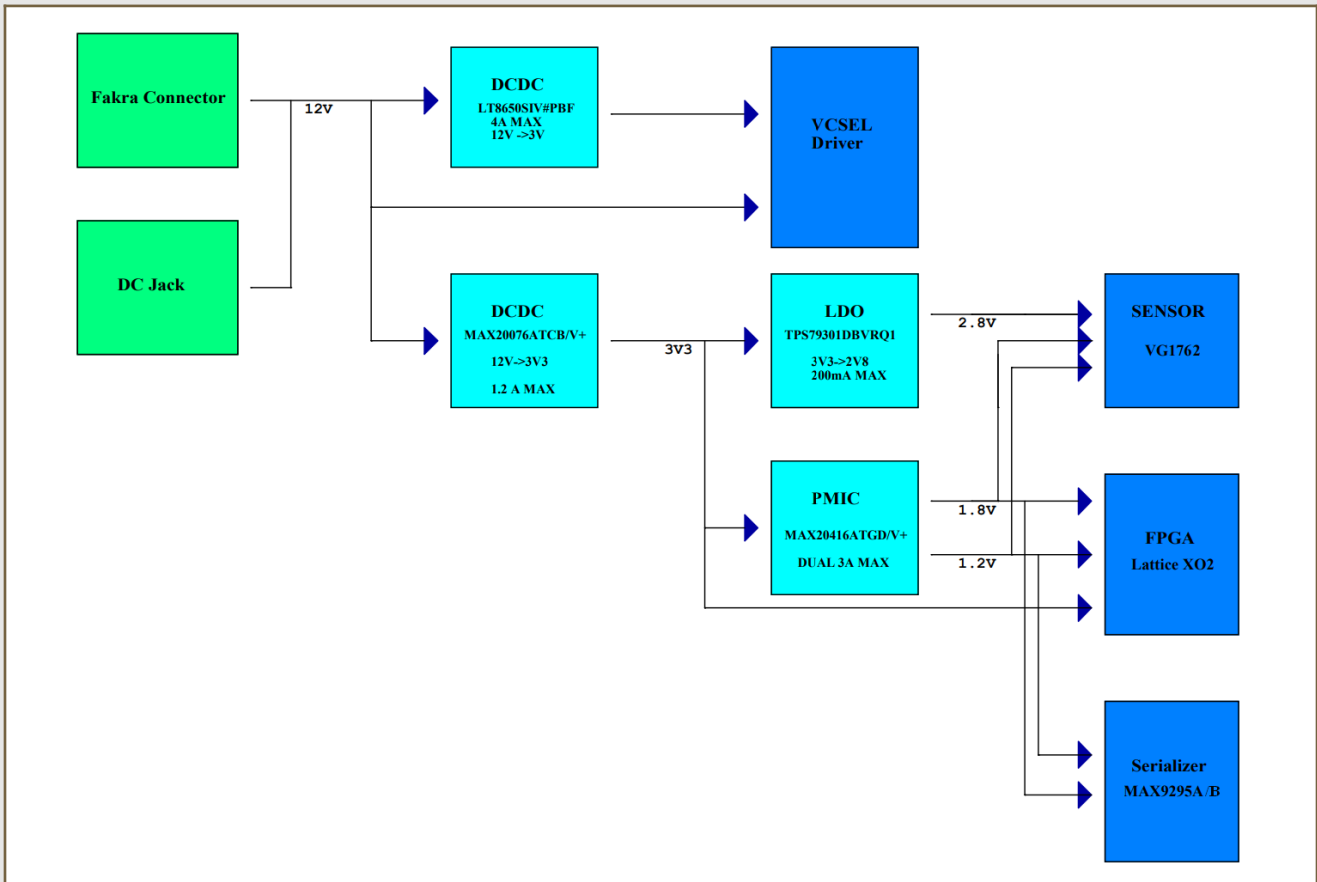
- \otimes marked are important sizes.
- Tolerances for others unmarked are ± 0.3 mm.

Unit: mm

SYSTEM BLOCK DIAGRAM



POWER BLOCK DIAGRAM



USB3.0 CAMERA KIT

LI-GMSL2-USB-BOX



Front View



Side View

LI-ST-VG1762-RGBIR-OMS/DMS-T can connect to LI-GMSL2-USB-BOX as a USB 3.0 camera.

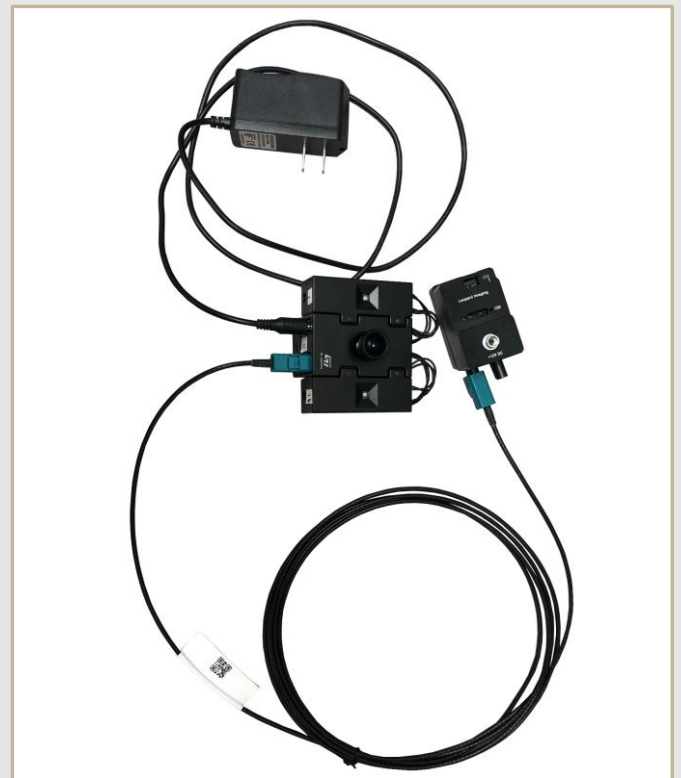
Part#: **LI-USB30-ST-VG1762-RGBIR-OMS/DMS-T**

SPECIFICATIONS

- USB 3.0 Super Speed support
- RAW output
- UVC compliant
- Allows customization
- 12 VDC power supply for camera
- Weight: TBD
- Single Coax Cable transmit up to 12 meters PoC (Power over Cable)
- Resolution: 1944 x 1204 @ 60 fps
- Compatible with Windows, Linux OS and other OS which have UVC drivers

BOM

#	Items	QTY
1	LI-ST-VG1762-RGBIR-OMS/DMS-T	1
2	LI-GMSL2-USB-BOX	1
3	3-Meter Fakra Cable	1
4	12 VDC Power Supply	1
5	USB3.0 Cable	1



SDK SUPPORTED

- Camera Tool Source Code in C#
- Capture & Display

● REVISION HISTORY

Revision	Description	Release Date
1.0	First release.	13 Aug 2021
1.1	Changed Part# from LI-VG1761-GMSL2-DMS to LI-ST-VG1761-RGBIR-OMS/DMS-100H and added Rev No. (Rev A.)	16 Nov 2021
1.2	Changed Part# from LI-ST-VG1761-RGBIR-OMS/DMS-100H to LI-ST-VG1761-RGBIR-OMS/DMS-T.	26 Nov 2021
1.3	Changed VG1761 to VG1762.	12 Jan 2022
1.4	Updated power consumption, frame rate and resolution.	31 Aug 2022

48820 Kato Rd, Suite 100B, Fremont, CA 94538, USA

Phone: +1-408-263-0988

Fax: +1-408-217-1960

Email: sales@leopardimaging.com

Website: www.leopardimaging.com

