



LEOPARD IMAGING INC

# LI-OV10650-GMSL2-xxxH

## Data Sheet

### Key Features

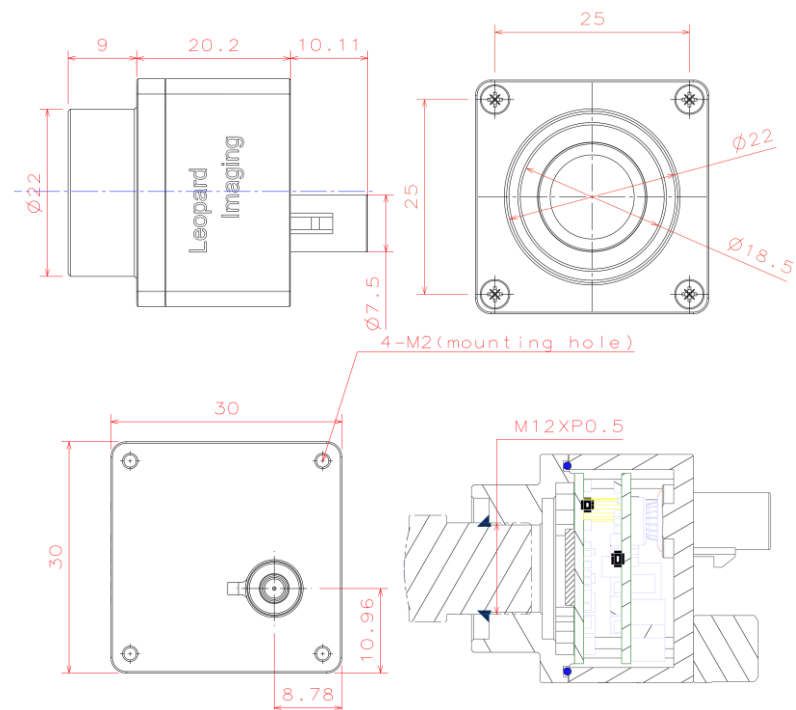
- OmniVision CMOS 1.7M Image Sensor OV10650
- Optical format: 1/2.09"
- Number of active pixels: 1824H x 940V
- Pixel size: 4.2  $\mu\text{m}$  x 4.2  $\mu\text{m}$
- Output Raw data
- Support 9V ~ 19V Power
- Lens: FOV H 60 / 120
- MAX9295A GMSL2 Serializer
- Connector: FAKRA Z TYPE
- Water proof: IP67
- Operation Temp: -40 ~ 85 °C
- Storage Temp: -40 ~ 105 °C
- Size: 30 x 30 x 20.2 mm
- Weight: 45 g
- Part#: **LI-OV10650-GMSL2-xxxH**



### Application

- Autonomous driving
- Camera monitoring system
- Rear view camera

### Dimensions

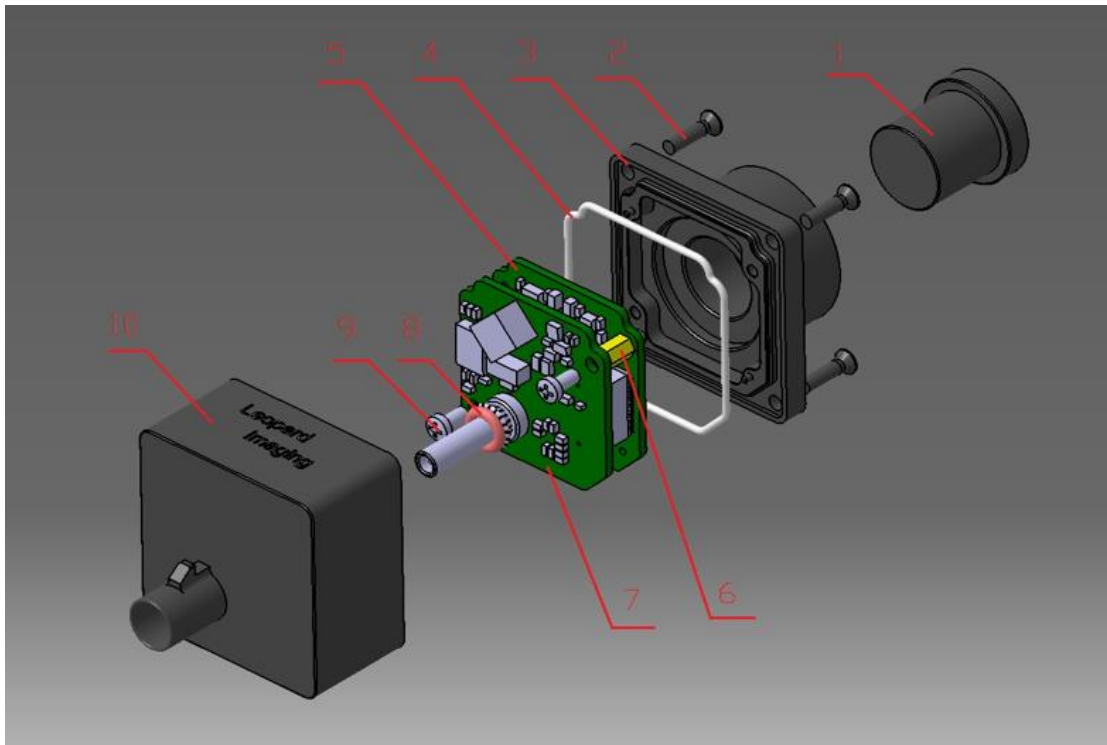


Leopard Imaging Inc.

48820 Kato Road, Suite 100B, Fremont, CA 94538, USA  
Phone: +1-408-263-0988  
Fax: +1-408-217-1960  
Email: sales@leopardimaging.com  
Website: www.leopardimaging.com

# BOM

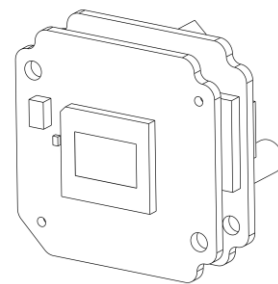
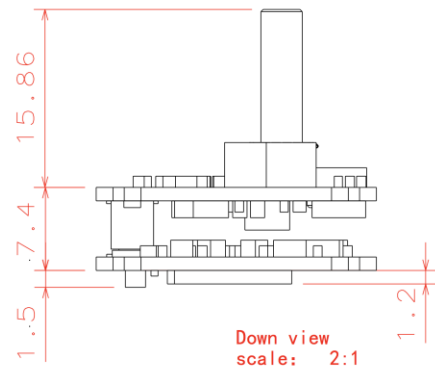
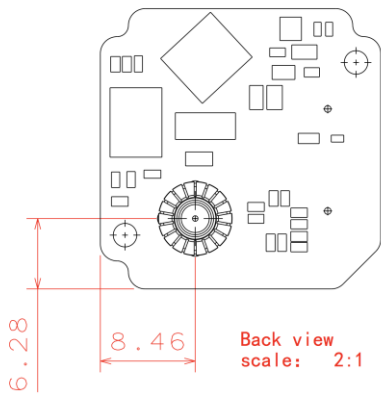
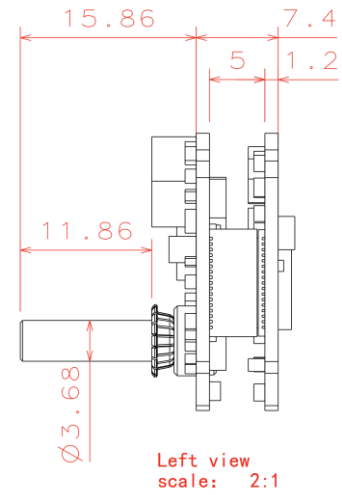
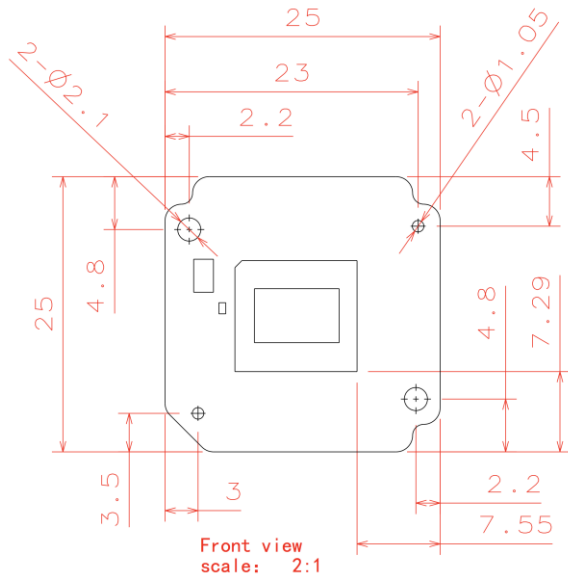
#	Name	SPEC	QTY/SET
1	Lens	M127B0818W LC001	1
2	Screw	M2*8 cross flat head black ZINC	4
3	Shell 2	AL6061-T6 BLACK Anodizing	1
4	Sealing ring	Silicon rubber, White	1
5	LI-OV10650-MIPI	OV10650 sensor board	1
6	Copper pillar	M2*5+3	2
7	LI-GMSL2-FKR	GMSL2 board	1
8	O ring	6.5*1.5 Silicon rubber Red	1
9	Screw	M2*4 cross pan head black ZINC	2
10	Shell 1	AL6061-T6 BLACK Anodizing	1



Leopard Imaging Inc.

48820 Kato Road, Suite 100B, Fremont, CA 94538, USA  
 Phone: +1-408-263-0988  
 Fax: +1-408-217-1960  
 Email: sales@leopardimaging.com  
 Website: www.leopardimaging.com

# Camera boards Dimensions



Leopard Imaging Inc.

48820 Kato Road, Suite 100B, Fremont, CA 94538, USA  
 Phone: +1-408-263-0988  
 Fax: +1-408-217-1960  
 Email: sales@leopardimaging.com  
 Website: www.leopardimaging.com

## Water Proof

- Metal Housing
- Water-proof M12 lens
- Sealed Gasket (White)
- Sealed O-ring (Red)

Note: The lens must be water-proof and glued on camera.



## Cable Connector

- Housing Connector- FAKRA Z Type
- Cable length: 3 meters  
Support single Coax Cable transmit up to 12 meters
- Cable Part#: FAK-SMZSMZ-3M
- FAKRA type connectors



Leopard Imaging Inc.

48820 Kato Road, Suite 100B, Fremont, CA 94538, USA  
Phone: +1-408-263-0988  
Fax: +1-408-217-1960  
Email: sales@leopardimaging.com  
Website: www.leopardimaging.com

## Ordering Information

**Part#: LI-OV10650-GMSL2-xxxH**

Note:

xxxH - 060H: FOV H 60°  
120H: FOV H 120°

LI-OV10650-GMSL2-060H	LI-OV10650-GMSL2-120H
	
<p>Lens: M127B0818W            Lens EFL: 8.0 mm            F#: 1.8            FOV(D): 70°            FOV(H): 59.5°            FOV(V): 29°            Water-proof: No</p>	<p>Lens: LC001            Lens EFL: 3.98 mm            F#: 2.3            FOV(D): 133°            FOV(H): 116°            FOV(V): 58.5°            Water-proof: No</p>
	



Leopard Imaging Inc.

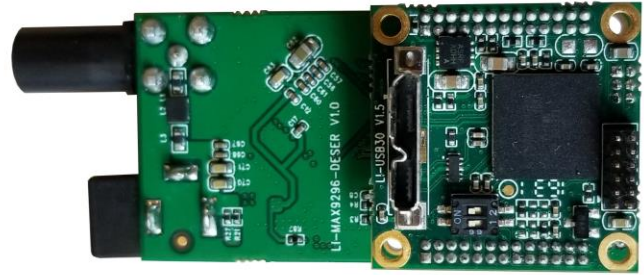
48820 Kato Road, Suite 100B, Fremont, CA 94538, USA  
 Phone: +1-408-263-0988  
 Fax: +1-408-217-1960  
 Email: sales@leopardimaging.com  
 Website: www.leopardimaging.com

## LI-GMSL2-DESER



Front View

## LI-USB30-CNTL



Back View

LI-OV10650-GMSL2-xxxH can connect to USB 3.0 EVA module as a USB 3.0 camera.  
Part#: **LI-USB30-OV10650-GMSL2-xxxH**

## Key Features

- USB 3.0 Super Speed support
- RAW data output without compression
- UVC compliance
- Provide customization services
- 12VDC Power Supply
- Weight: 86 g
- Single Coax Cable transmit up to 12 meter PoC(Power over Cable)
- Support 1824x940@30fps
- Power consumption: TBD

## SDK Supported

- Camera Tool Source Code in C#
- Capture & Display
- Save file as BMP & RAW format





## Revision History

Revision	Description	Release Date
1.0	First Release	12. Jan. 2018
1.1	Change the lens to M127B0818W and LC001	26. Dec. 2019



Leopard Imaging Inc.

48820 Kato Road, Suite 100B, Fremont, CA 94538, USA  
Phone: +1-408-263-0988  
Fax: +1-408-217-1960  
Email: [sales@leopardimaging.com](mailto:sales@leopardimaging.com)  
Website: [www.leopardimaging.com](http://www.leopardimaging.com)