

RoHS

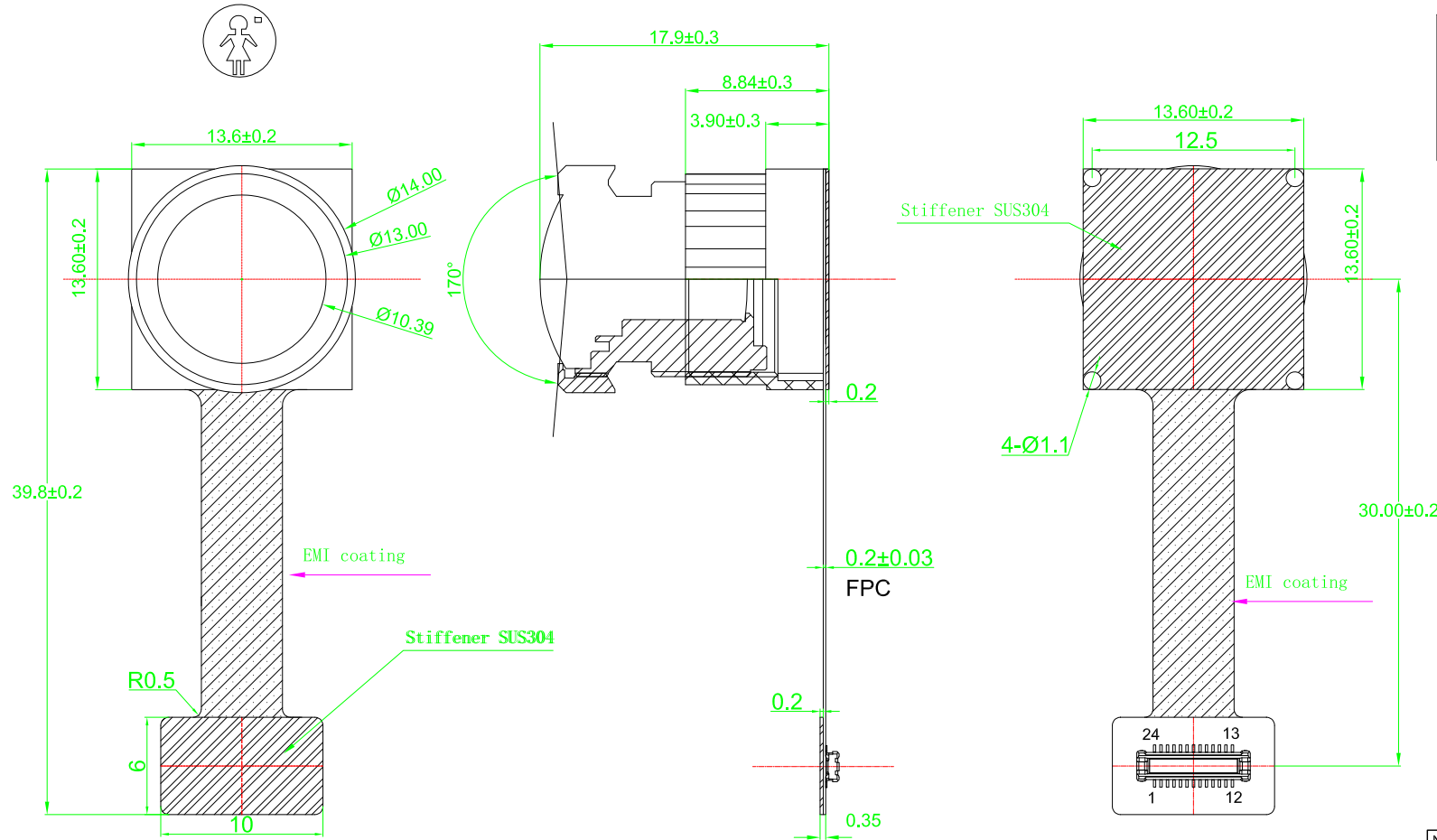
LI-OG02B10-MIPI-125H

QR-RD-F002 Rev-A

advert:
basic tolerance: ±0.1mm
label have "*"is emphasis dimension

Optical Lens Specification:
Focusing Range TBD
Focal Length 2.2mm
F Number 2.5
Fov(H) 125°
TV Distortion <-20%

NO.	SYMBOL
1	SDA
2	SCL
3	DOVDD1.8V
4	MCP
5	MCN
6	DGND
7	MDPO
8	MDNO
9	DGND
10	MDP1
11	MDN1
12	DGND
13	PWM
14	ATEST
15	AGND
16	FSIN
17	SID
18	DVDD1.2V
19	XCLK
20	STROBE
21	XSHUTDOWN
22	AVDD2.8V
23	ULPM
24	DGND



TOP VIEW

SIDE VIEW

BOTTOM VIEW

Note:# Image direction register use default settings.

Output format: 8/10 bit RAW/ 650nm IR Filter FPC 4 layer

NO	ITEM	Q'TY	DESCRIPTION
1	Steel	2	
2	FPC	1	
3	TAKING LENS	1	
4	Sensor	1	OG02B10
5	Connector	1	AXT624124

Reinforcement:	10F1	Version:	1.1
Proportion:	1:1	Unit:	MM

NO	Change item	Version	Date
	Original	V1.0	2021-01-26



Leopard Imaging Inc.

Draft:	Brown	Date:	2021-01-26	Project Name:
Check:	Brown	Date:	2021-01-26	LI-OG02B10-MIPI-125H
Approval:		Date:		

