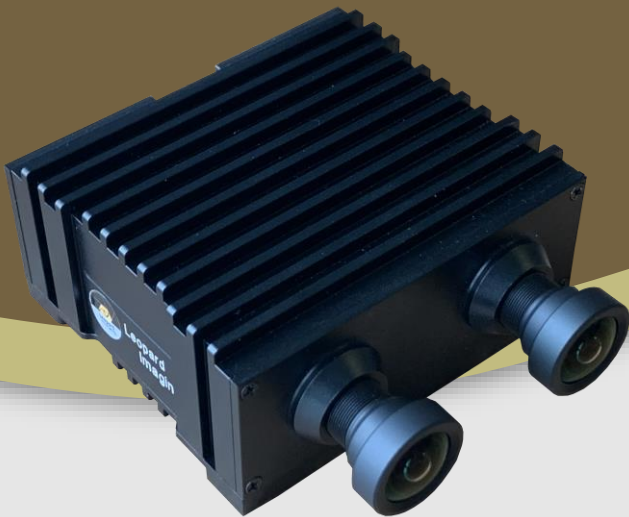




EdgeTuring™



Address:

48820 Kato Road
Suite 100B
Fremont, CA 94538
USA



Phone:

+1 (408)263-0988

Fax:

+1 (408)217-1960



Sales:

sales@leopardimaging.com

Support:

support@leopardimaging.com

INTRODUCTION

Leopard Imaging's EdgeTuring™ is a next-generation artificial intelligence (AI) processing solution for video analytics and consumes less power, performs at a higher level and ensures greater reliability for video analytics and privacy at the edge than alternative solutions.

EdgeTuring™ is equipped with Socionext SC2000 image signal processor, Hailo-8™ AI processor and two Sony IMX477 sensors and supports 4K @ 30 fps YUV video output.

SPECIFICATIONS

Image Processor	Socionext SC2000 Image Signal Processor
Sensor	Sony Diagonal 7.857 mm (Type 1/2.3) CMOS Image Sensor IMX477
Resolution	3840 (H) x 2160 (V)
Pixel Size	1.55 x 1.55 μm
Video Output	4K @ 30 fps with EIS 4K @ 15 fps with HDR
Color/Mono	Color
AI Module	Hailo-8™ M.2 AI Module
Multi-Sensor	Dual (Only one sensor works for AI)
Baseline	40.70 mm
Lens	FOV 43.4° horizontal (each video)
Amazon AWS	Amazon Kinesis Video Streams (KVS) Amazon Kinesis Data Streams (KDS)
Operating Temp	0°C ~ +60°C
Storage Temp	-20°C ~ +70°C
Weight	~ 242 g
Size	80.70 (L) x 38.00 (W) x 93.33 (D) mm
Part#	LI-M10V-AI



APPLICATIONS

- Industrial Automation
- IoT
- Smart Devices
- Smart Retail

AI MODULE

Hailo-8™ M.2 AI Module	
AI Processor	26 TOPS Hailo-8
Supported Frameworks	TensorFlow and ONNX
Form Factor	NGFF M.2 2242 M-key
Interface	PCIe Gen-3.0, 4-lanes
Applications	Object detection, Classification, Face recognition and others
Best-in-class power efficiency of 3 TOPS/W	

Hailo-8™ enables customers to integrate high performance AI capabilities into edge devices and provides a more flexible solution for accelerating a wide range of deep learning-based applications with high efficiency—optimizing time to market with a standard form factor.

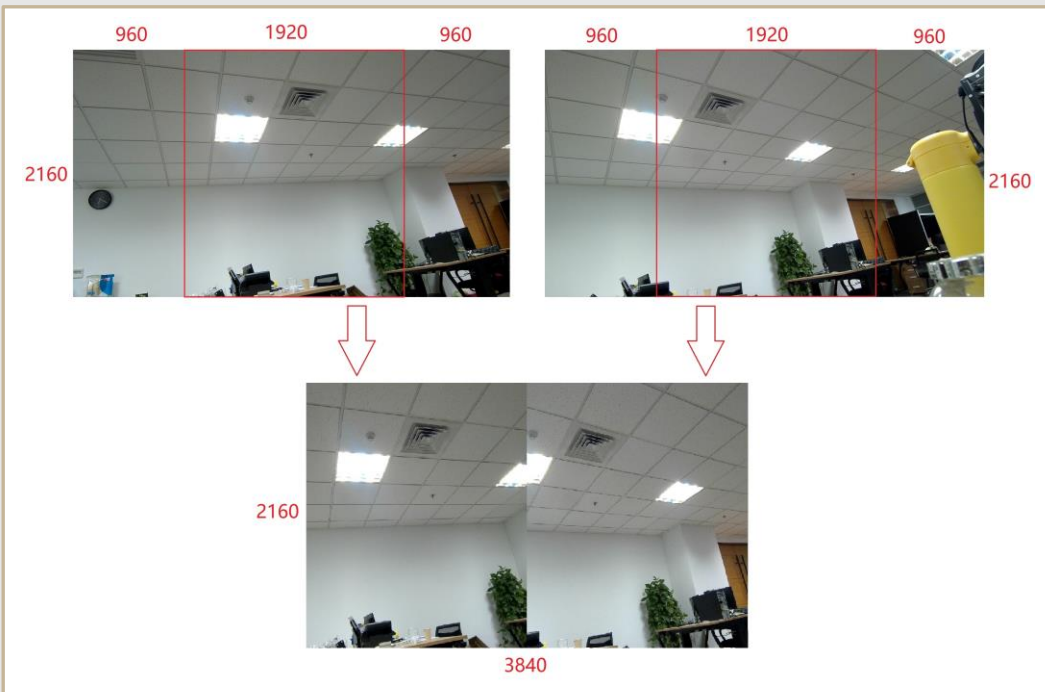


INTERFACES

Interfaces
1 Micro-HDMI interface
1 USB 3.0 Type-C interface
1 USB 2.0 Micro-B interface
1 UART interface
1 Power interface (12 VDC)
1 RJ45 Ethernet interface
2 Micro-SD card interfaces



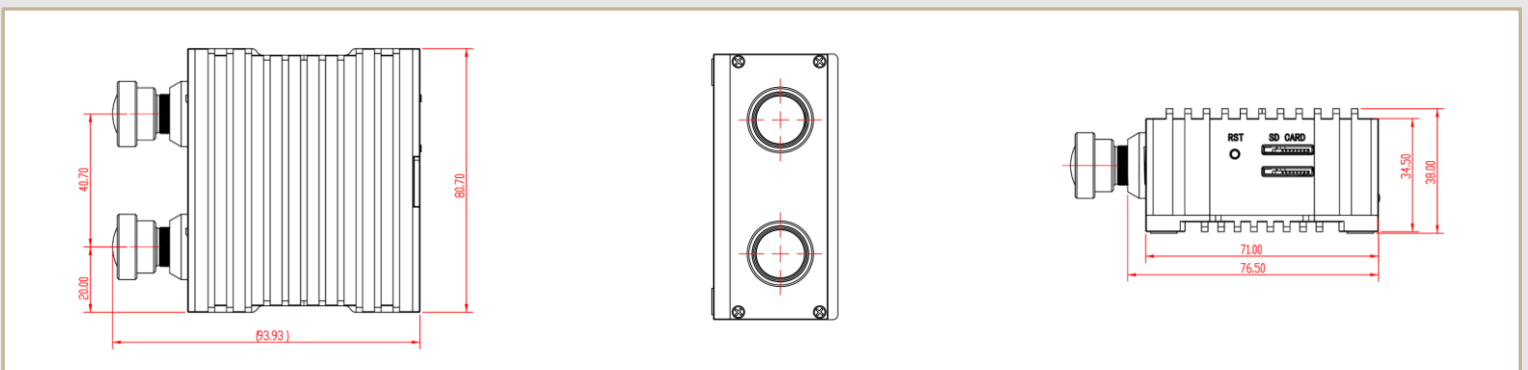
4K VIDEO OUTPUT



Two videos output side by side

Each video (1920 x 2160) is cropped from the center of the full FOV image

DIMENSIONS





● REVISION HISTORY

Revision	Description	Release date
1.0	First release.	16 Feb 2021

48820 Kato Rd, Suite 100B, Fremont, CA 94538, USA
Phone: +1-408-263-0988
Fax: +1-408-217-1960
Email: sales@leopardimaging.com
Website: www.leopardimaging.com

