



LEOPARD IMAGING INC

LI-M021C-MIPI

Data Sheet

Key Features

- Aptina 1/3" CMOS Digital Image Sensor MT9M021
- Optical format: 1/3"
- Active pixels: 1280 (H) x 960 (V)
- Pixel size: 3.75 x 3.75 μm
- Global shutter
- Color filter array: RGB Bayer
- Responsivity: 5.3V/lux-sec
- Supports M8 lens
- Module size: 18.5 x 15 mm
- Weight: ~ 2 g
- Part#: **LI-M021C-MIPI**



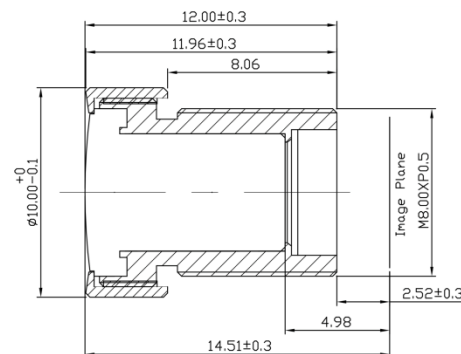
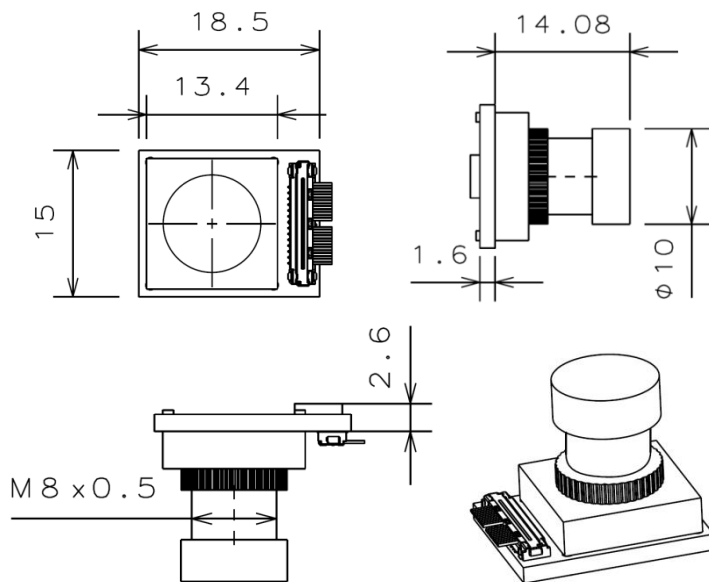
Interface

- Part#: 20498-026E-41
- Number of Positions: 26
- Shell Plating: Sn
- Vacuum Clip: With

Lens Spec

- Part#: HK-8110-131-1-M8
- Sensor Size: 1/3"
- Focal Length: 3 mm
- Aperture, F/#: 2.8
- Built in 650 nm IR cut filter
- FOV (D / H / V): 117° / 90° / 67°
- Mount: M8 x P0.5 – 6g

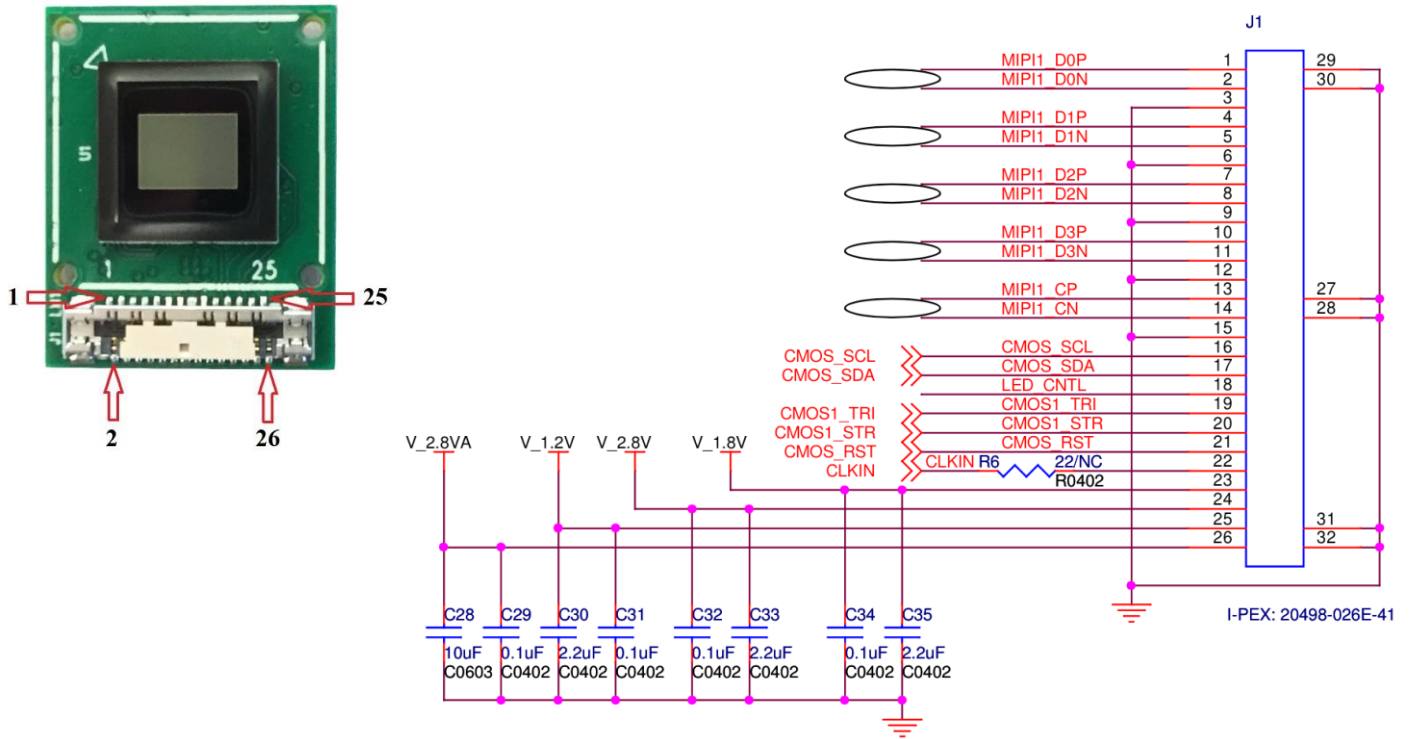
Dimensions



Leopard Imaging Inc.

1130 Cadillac Ct., Milpitas, CA 95035, USA
Phone: +1-408-263-0988
Fax: +1-408-217-1960
Email: sales@leopardimaging.com
Website: www.leopardimaging.com
www.leopard-security.com

Pin Assignment



Revision History

Revision	Description	Release Date
1.0	First Release.	15. Mar. 2020
1.1	Deleted info quoted from sensor spec.	23. May. 2022



Leopard Imaging Inc.

1130 Cadillac Ct., Milpitas, CA 95035, USA
 Phone: +1-408-263-0988
 Fax: +1-408-217-1960
 Email: sales@leopardimaging.com
 Website: www.leopardimaging.com
 www.leopard-security.com