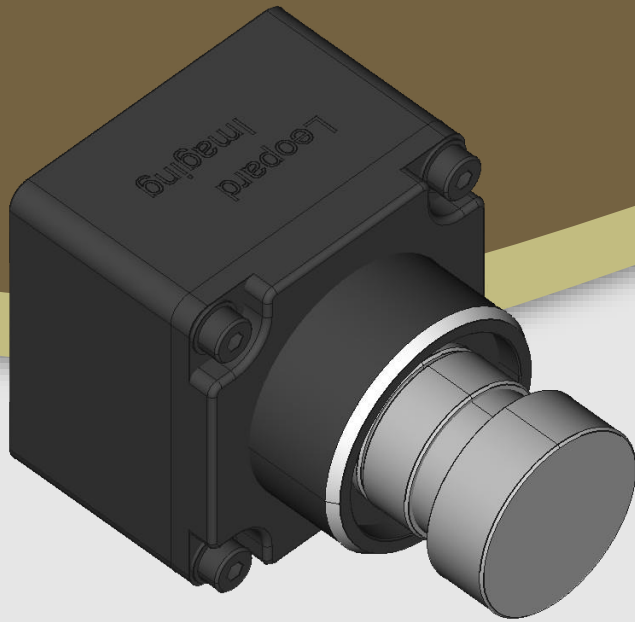




LI-IMX728-9295-xxxH



Address:

48820 Kato Road
Suite 100B
Fremont, CA 94538
USA



Phone:

+1 (408)263-0988

Fax:

+1 (408)217-1960



Sales:

sales@leopardimaging.com

Support:

support@leopardimaging.com

INTRODUCTION

The LI-IMX728-9295-xxxH is equipped with Sony diagonal 9.30 mm 8.39MP CMOS RGGB sensor IMX728 and Maxim GMSL2 serializer MAX9295A/B. This camera outputs 3857 x 2177 RAW data.

SPECIFICATIONS

Sensor	Diagonal 9.30 mm 8.39MP CMOS RGGB Sensor IMX728
Optical Format	1/1.72"
Resolution	3857 (H) x 2177 (V) (active pixels)
Pixel Size	2.1 x 2.1 μ m
Color / Mono	Color sensor
Output Format	20-bit / 16-bit / 12-bit / 10-bit RAW data
Maximum Frame Rate	45 fps @ 3857 x 2177
HDR (High Dynamic Range)	Supported
LFM (LED Flicker Mitigation)	Supported
Lens	FOV H 30° / 70° / 120°
Serializer	Maxim MAX9295A/B
Power Supply Range	9 ~ 19 VDC
Connector	FAKRA Z TYPE
IP Rating	TBD
Power Consumption	131 mA @ 12 VDC (3856 x 2176 @ 15 fps)
Operating Temp	TBD
Storage Temp	TBD
Weight	TBD
Part#	LI-IMX728-9295-xxxH

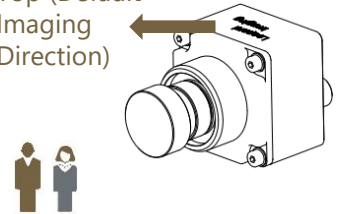
APPLICATIONS

- Automotive
 - ◆ High Resolution Front Viewing
 - ◆ Machine Vision
 - ◆ Autonomous Driving
 - ◆ Assisted Driving
 - ◆ Digital Video Recording

DEFAULT IMAGING DIRECTION

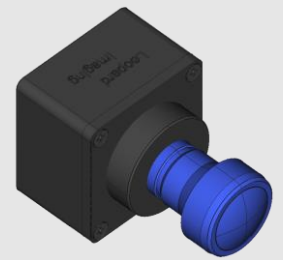
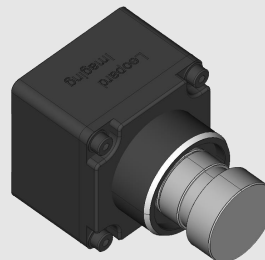
- The logo "Leopard Imaging" is on the TOP.

Top (Default Imaging Direction)

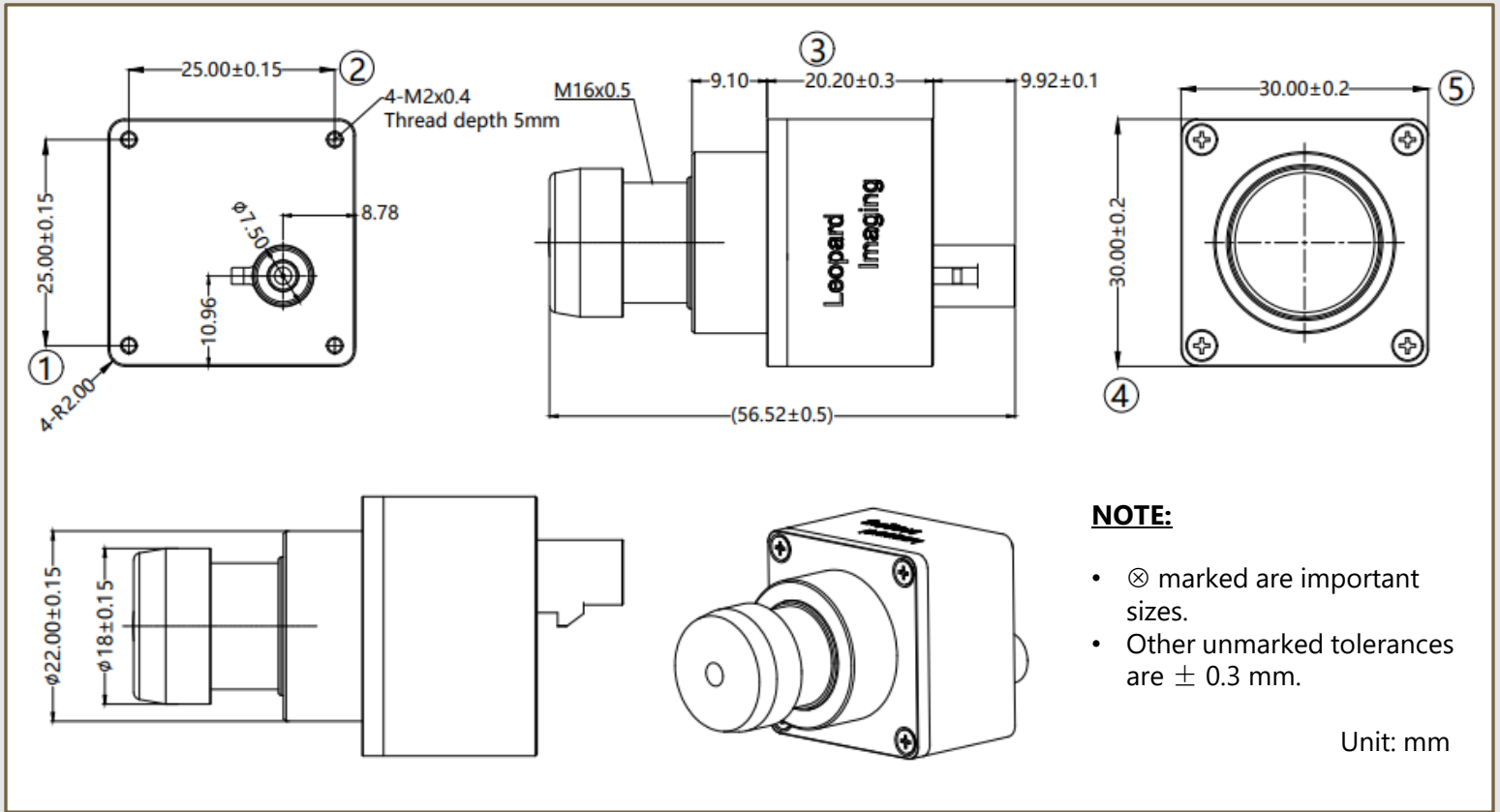


CABLE CONNECTOR

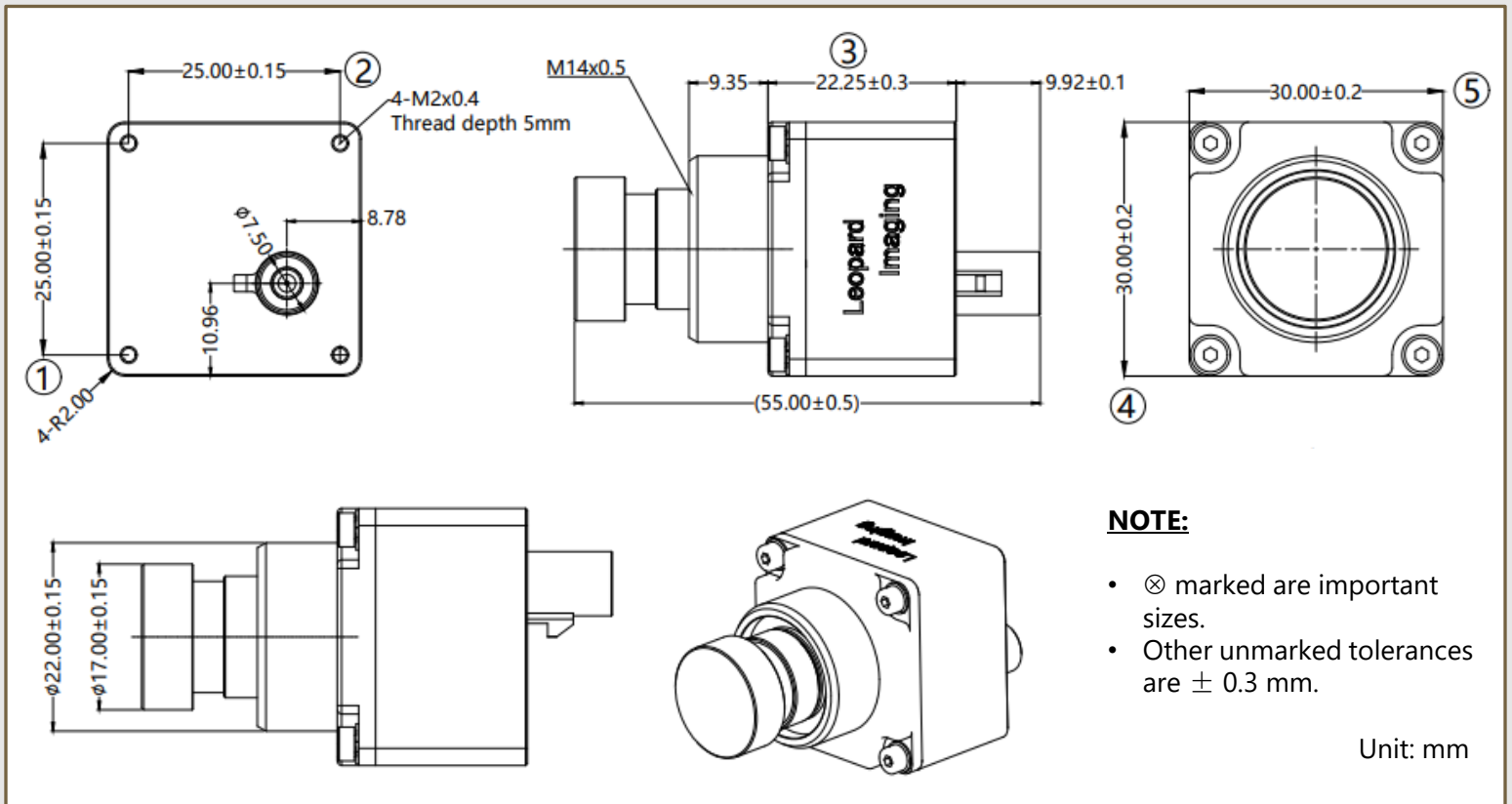
- Housing Connector: FAKRA Z Type
- Cable Length: 3 meters
- Cable Part#: FAK-SMZSMZ-3M



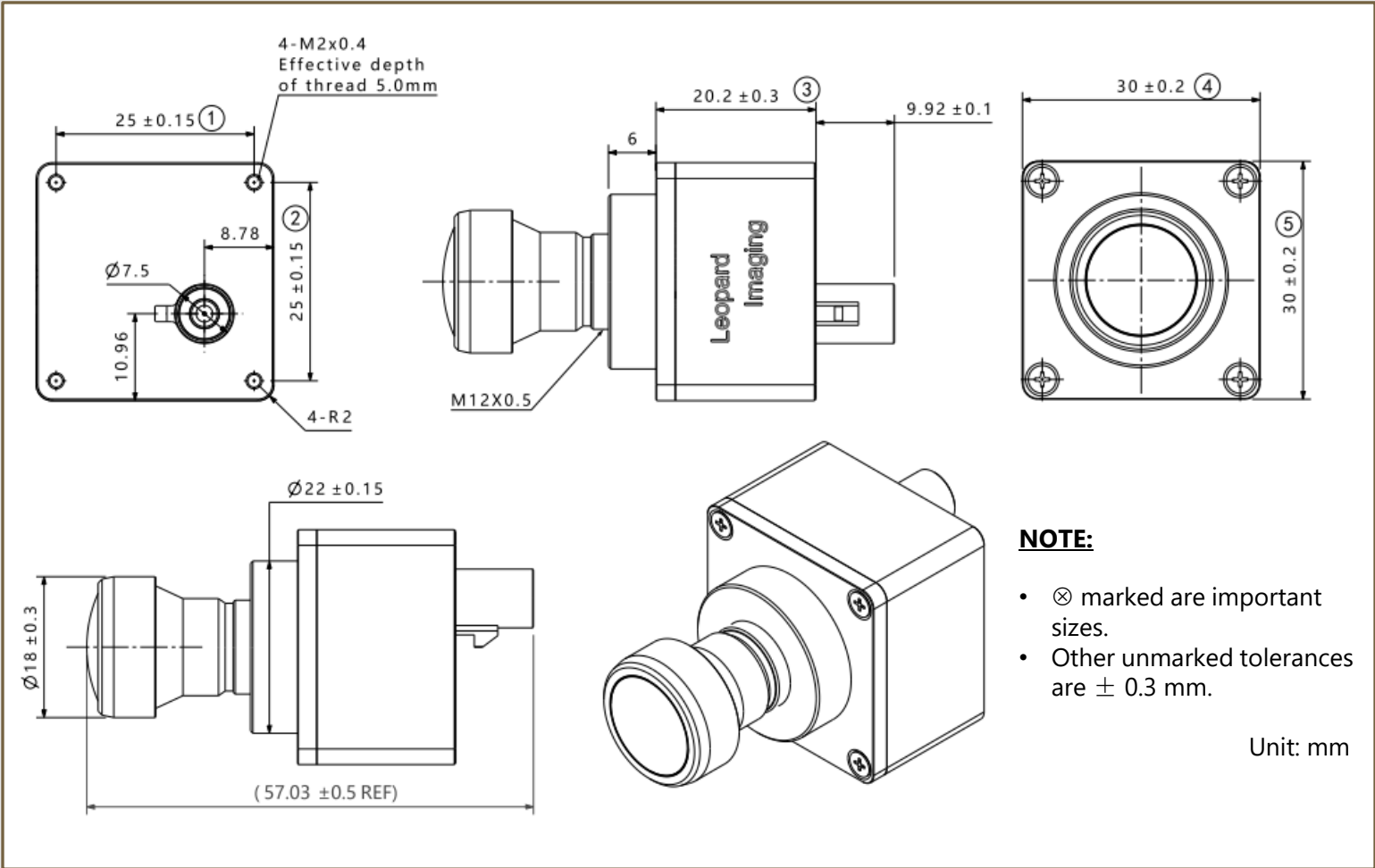
DIMENSIONS: LI-IMX728-9295-030H



DIMENSIONS: LI-IMX728-9295-070H



DIMENSIONS: LI-IMX728-9295-120H



ORDERING INFORMATION

NOTE:


xxxH - 030H: FOV H 30°

xxxH - 070H: FOV H 70°

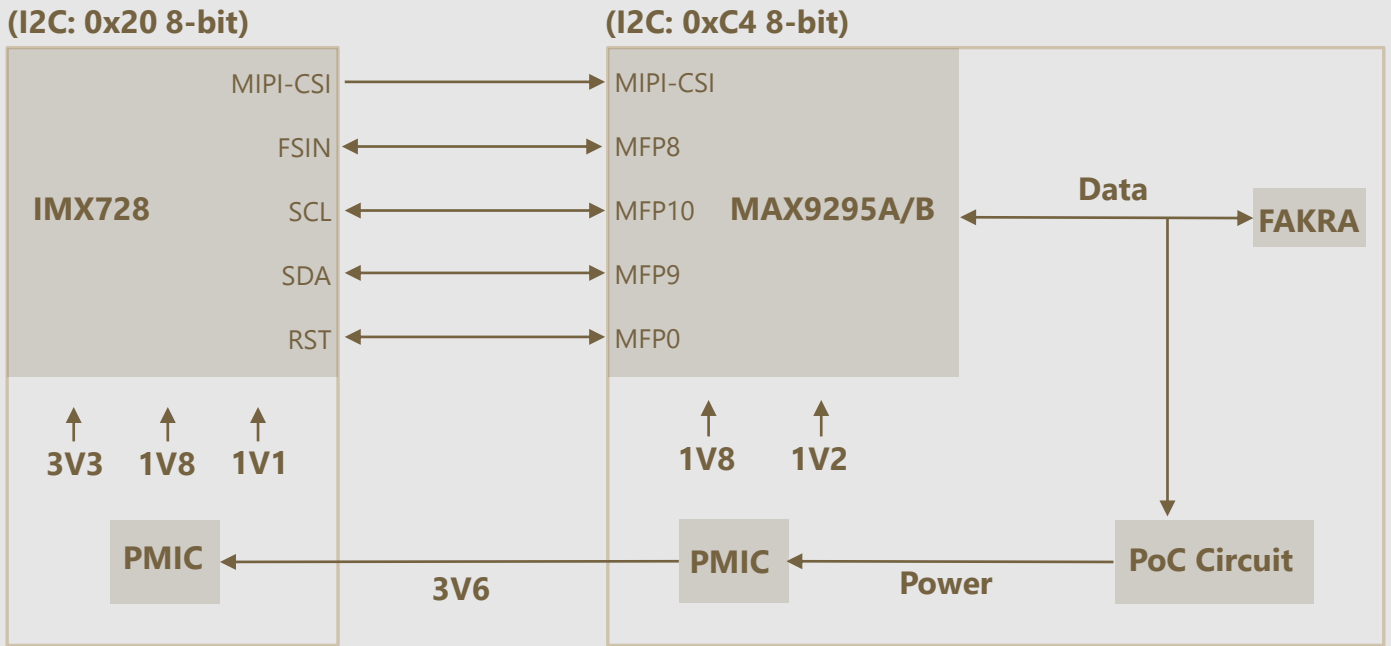
xxxH - 120H: FOV H 120°

LI-IMX728-9295-030H

Lens EFL: 15.3 mm \pm 0.15
Aperture, F/#: 1.65 \pm 0.15
Field of View (FOV): 30.0° horizontal
IR Filter: 660 nm IR cut filter
Mount: M16
IP Rating: IP67

LI-IMX728-9295-070H	LI-IMX728-9295-120H
	
Lens EFL: 6.7 mm	Lens EFL: 3.9 mm \pm 2%
Aperture, F/#: 1.65	Aperture, F/#: 1.6 \pm 5%
Field of View (FOV): 70.0° horizontal	Field of View (FOV): 121.2° horizontal
IR Filter: 660 nm IR cut filter	IR Filter: 650 nm IR cut filter
Mount: M14	Mount: M12
IP Rating: IP67	IP Rating: IP69K

BLOCK DIAGRAM



USB3.0 CAMERA KIT

LI-GMSL2-USB



Top View



Bottom View

LI-IMX728-9295-xxxH can connect to LI-GMSL2-USB as a USB 3.0 camera.

Part#: **LI-USB30-IMX728-9295-xxxH**

SPECIFICATIONS

- USB 3.0 Super Speed support
- UVC compliant
- Allows customization
- 12 VDC Power Supply for camera
- Weight: TBD
- Single Coax Cable transmits up to 12 meters PoC (Power over Cable)
- Resolution: 3856 x 2176 @ 15 fps
- Power consumption: 131 mA @ 12 VDC
- Compatible with Windows, Linux OS and other OS which have UVC drivers

BOM

#	Items	QTY
1	LI-IMX728-9295-xxxH	1
2	LI-GMSL2-USB	1
3	3-Meter Fakra Cable	1
4	12 VDC Power Supply	1
5	USB3.0 Cable	1



12 VDC power supply for camera

SDK SUPPORTED

- Camera Tool Source Code in C#
- Capture & Display
- Register Access Function

● REVISION HISTORY

Revision	Description	Release Date
0.1	Initial draft.	05 Aug 2022
0.2	Updated 120H lens as well as related 2D dimensions and 3D images.	23 Aug 2022
0.3	Replaced GMSL2 with 9295 in Part#.	02 Sep 2022

48820 Kato Rd, Suite 100B, Fremont, CA 94538, USA

Phone: +1-408-263-0988

Fax: +1-408-217-1960

Email: sales@leopardimaging.com

Website: www.leopardimaging.com

