



LI-IMX715-MIPI-M12



Address:

48820 Kato Road
Suite 100B
Fremont, CA 94538
USA



Phone:

+1 (408)263-0988

Fax:

+1 (408)217-1960



Sales:

sales@leopardimaging.com

Support:

support@leopardimaging.com

INTRODUCTION

The LI-IMX715-MIPI-M12 is a MIPI CSI-2 camera equipped with Sony diagonal 6.43 mm (Type 1/2.8) CMOS solid-state image sensor IMX715 which has low power consumption, high sensitivity and low dark current. This camera outputs 10-bit / 12-bit RAW data.

SPECIFICATIONS

| | |
|--------------------|--|
| Sensor | Sony Diagonal 6.43 mm (Type 1/2.8) CMOS Image Sensor IMX715 |
| Optical Format | 1/2.8" |
| Resolution | 3864 (H) x 2176 (V) (active pixels) |
| Pixel Size | 1.45 x 1.45 μm |
| Output Format | 10-bit / 12-bit RAW data |
| Maximum Frame Rate | 12-bit: 60.3 fps @ all-pixel scan mode 10-bit: 90.9 fps @ all-pixel scan mode |
| ISP | Not included |
| Color / Mono | Color sensor |
| Interface | 4-lane MIPI CSI-2 |
| Power Consumption | 170 mA @ 3.3 VDC (3864 x 2192 @ 6 fps) |
| Operating Temp | -30°C ~ +85°C |
| Storage Temp | -40°C ~ +85°C |
| Weight | ~ 18 g |
| Part# | LI-IMX715-MIPI-M12 |

APPLICATIONS

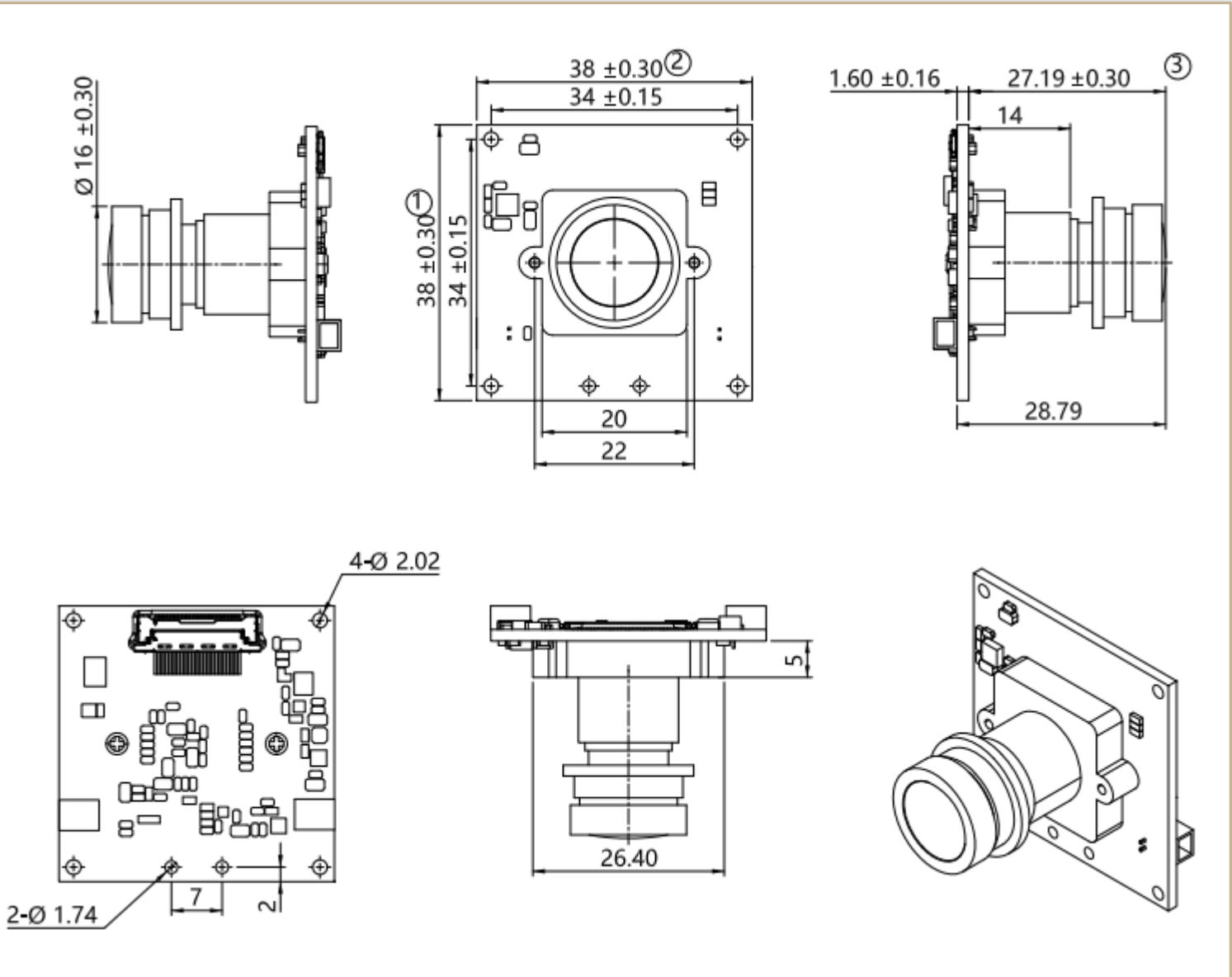
- IoT
- Drone
- Robots

LENS SPECIFICATIONS

| | |
|------------------------|----------------------|
| Effective Focal Length | 4.063 mm |
| Aperture, F/# | 2.29 \pm 5% |
| Field of View (FOV) | 81.7° horizontal |
| | 44.7° vertical |
| | 95.1° diagonal |
| Optical Distortion | -28.1% |
| Relative Illumination | 59.1% |
| IR Filter | 650 nm IR cut filter |
| Lens Mount | M12 x 0.5 |



DIMENSIONS



NOTE:

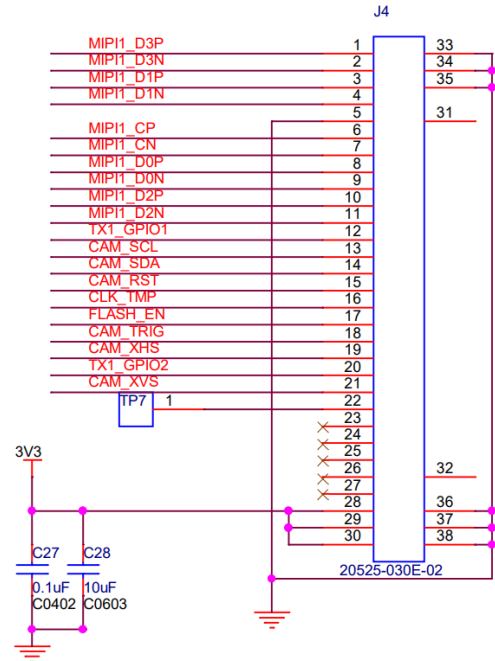
- \otimes marked are important sizes.
- Tolerances for others unmarked are ± 0.3 mm.

Unit: mm

INTERFACE J4

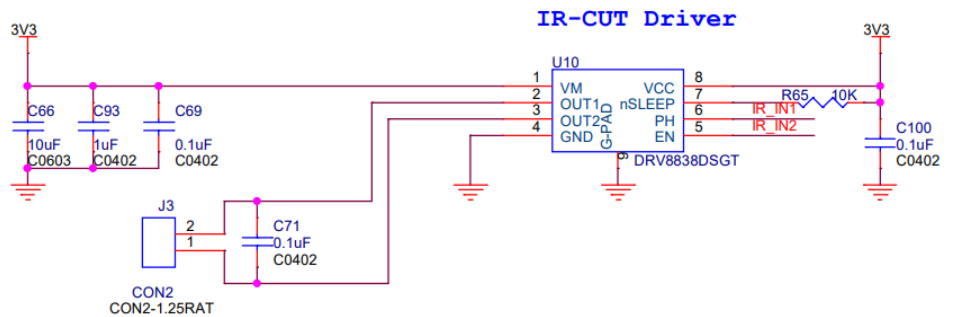
- Connector Part#: 20525-030E-02
- Number of Positions: 30
- Pitch: 0.4 mm
- Mating I-PEX Cable: LI-FAW-1233

I-PEX 0.4mm pitch connector



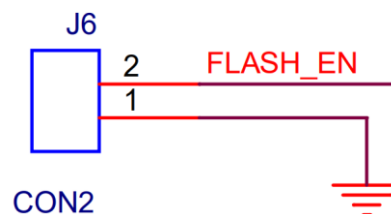
INTERFACE J3

- Connector Part#: 1734829-2
- Number of Positions: 2
- Pitch: 1.25 mm



INTERFACE J6

- Connector Part#: 1734829-2
- Number of Positions: 2
- Pitch: 1.25 mm



● REVISION HISTORY

| Revision | Description | Release Date |
|----------|----------------|--------------|
| 1.0 | First release. | 28 Jul 2022 |

48820 Kato Rd, Suite 100B, Fremont, CA 94538, USA

Phone: +1-408-263-0988

Fax: +1-408-217-1960

Email: sales@leopardimaging.com

Website: www.leopardimaging.com

