



LI-IMX662-MIPI-081H



Address:

910 Auburn Ct
Fremont, CA 94538
USA



Phone:

+1 (408)263-0988

Fax:

+1 (408)217-1960



Sales:

sales@leopardimaging.com

Support:

support@leopardimaging.com

INTRODUCTION

The LI-IMX662-MIPI-081H is a MIPI CSI-2 camera with Sony STARVIS 2 diagonal 6.45 mm (Type 1/2.8) CMOS sensor IMX662. This camera outputs 10-bit / 12-bit RAW data.

SPECIFICATIONS

Sensor	Sony STARVIS 2 Diagonal 6.45 mm CMOS Image Sensor IMX662
Optical Format	1/2.8"
Resolution	1937 (H) x 1097 (V) (active pixels)
Pixel Size	2.9 x 2.9 μm
Output Format	10-bit / 12-bit RAW data
Maximum Frame Rate	12-bit: 60 fps @ all-pixel scan mode 10-bit: 90 fps @ all-pixel scan mode
ISP	Not included
Color / Mono	Color
Interface	4-lane MIPI CSI-2
Power Consumption	212 mA @ 5 VDC (1936 x 1100 @ 30 fps)
Operating Temp	-30°C ~ +85°C
Storage Temp	-30°C ~ +85°C
Weight	~ 16 g
Size	38.0 (L) x 38.0 (W) x 30.0 (D) mm
Part#	LI-IMX662-MIPI-081H

APPLICATIONS

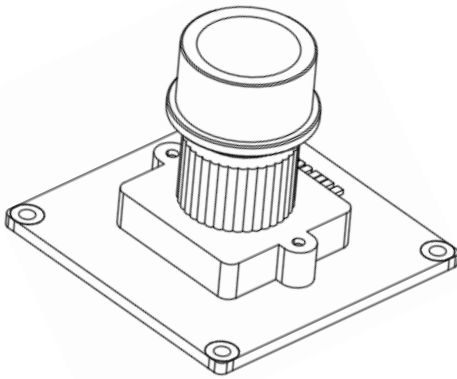
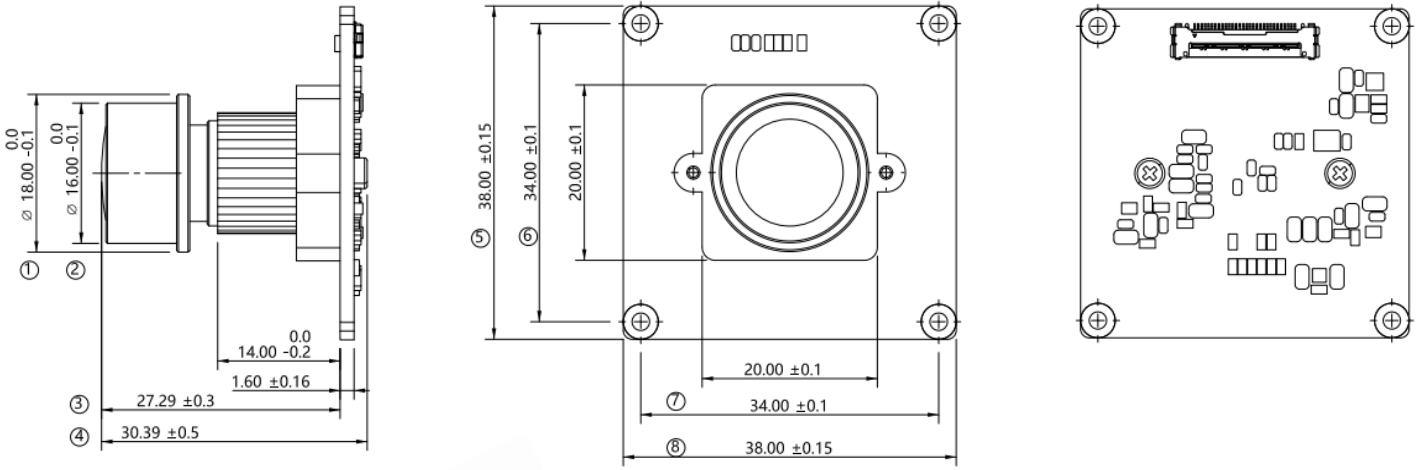
- IoT
- Drone
- Robots

LENS SPECIFICATIONS

Effective Focal Length	4.063 mm
Aperture, F/#	2.29 \pm 5%
Field of View (FOV)	81.7° (H) @ IH 2.784
	44.7° (V) @ IH 1.566
	95.1° (D) @ IH 3.194
TV Distortion	-9.3%
Relative Illumination	59.1% @ 1.0F (IH 3.194 mm)
IR Filter	650 nm IR cut filter
Lens Mount	M12 x 0.5



DIMENSIONS



TOLERANCE TABLE					
LENGTH TOLERANCE		CHAMFER TOLERANCE		ANGLE TOLERANCE	
Size X	Tolerance	Size X	Tolerance	Size X	Tolerance
$0.5 < X \leq 3$	± 0.1	$0.5 < X \leq 3$	± 0.2	$X \leq 10$	$\pm 1^\circ$
$3 < X \leq 6$	± 0.1	$3 < X \leq 6$	± 0.5	$10 < X \leq 50$	$\pm 30'$
$6 < X \leq 30$	± 0.2	$6 < X \leq 30$	± 1	$50 < X \leq 120$	$\pm 20'$
$30 < X \leq 120$	± 0.3			$120 < X \leq 400$	$\pm 10'$
$120 < X \leq 400$	± 0.5				
$400 < X \leq 1000$	± 0.8	$X > 30$	± 2	$X > 400$	$\pm 5'$
$X > 1000$	± 1.2				

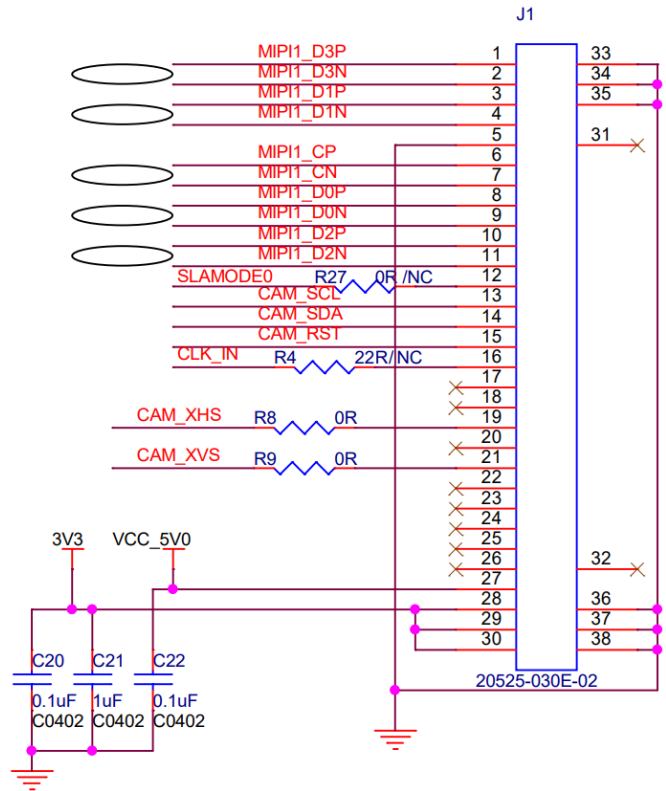
NOTE:

- ⊗ marked are important sizes.
- Other unmarked tolerances refer to the Tolerance table.

Unit: mm

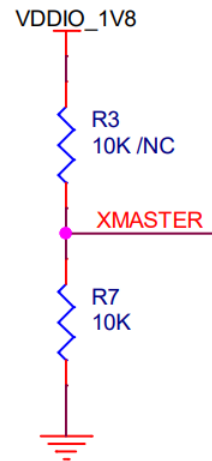
INTERFACE J1

- Connector Part#: 20525-030E-02
- Number of Positions: 30
- Pitch: 0.4 mm
- Mating I-PEX cable: LI-FAW-1233
- Sensor I2C Address: 0x10 (7-bit)
- External Power Supply: 3.3V and 5.0V
- 3.3V (analog), 1.8V and 1.1V are generated from board



MODE (Master / Slave)

- Default Mode: Master



XMASTER = High: Slave mode
 XMASTER = Low: Master mode

● REVISION HISTORY

Revision	Description	Release Date
1.0	First release.	03 Mar 2023

910 Auburn Ct, Fremont, CA 94538, USA
Phone: +1-408-263-0988
Fax: +1-408-217-1960
Email: sales@leopardimaging.com
Website: www.leopardimaging.com

