



LEOPARD IMAGING INC

LI-IMX577-MIPI-CS

Data Sheet

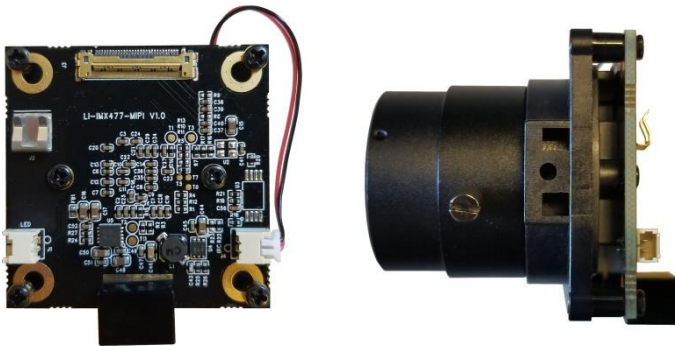
Key Features

- Sony Diagonal 7.857 mm (Type 1/2.3) CMOS Image Sensor IMX577
- Active pixels: 4056 (H) x 3040 (V)
- Pixel size: 1.55 x 1.55 μm
- Color sensor
- Interface: MIPI output
- Supports CS lens
- Module size: 38 x 38 mm
- Weight: ~ 56 g
- Part#: **LI-IMX577-MIPI-CS**

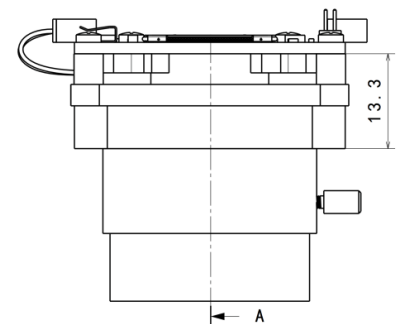
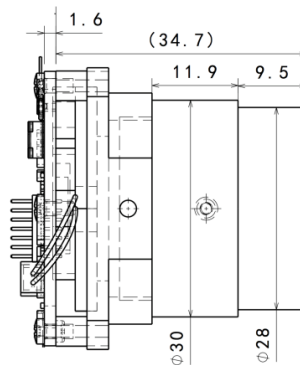
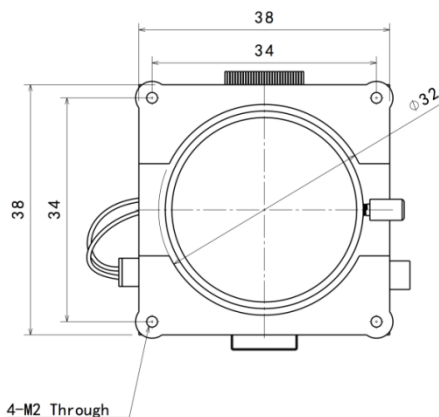


Lens Spec

- Model: ES0522F.IR
- Focal Length: 5.0 mm
- Aperture, F/#: 2.2
- Built in 650 nm IR cut filter
- FOV (H): 73°
- TV Distortion: < -8%
- Mount Type: CS



Dimensions



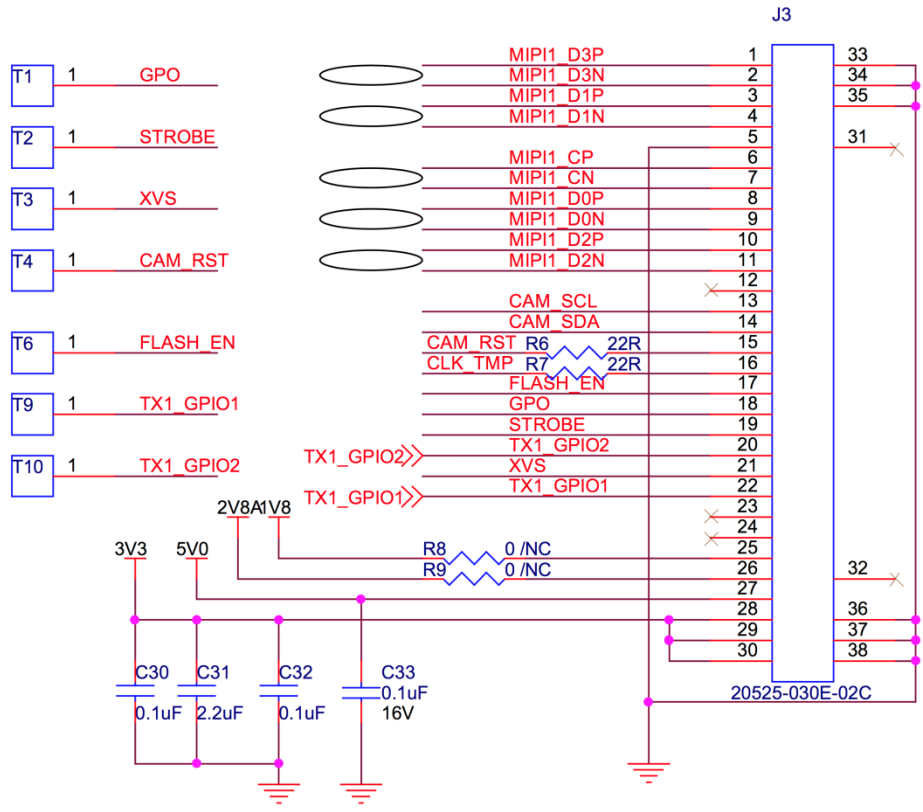
Leopard Imaging Inc.

1130 Cadillac Ct., Milpitas, CA 95035, USA
Phone: +1-408-263-0988
Fax: +1-408-217-1960
Email: sales@leopardimaging.com
Website: www.leopardimaging.com

Interfaces

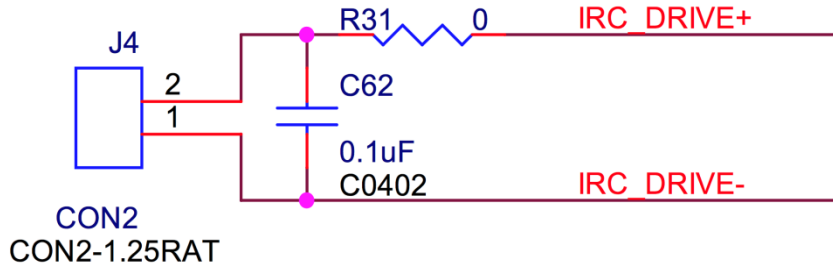
Interface J3:

- Part#: 20525-030E-02C
- Number of Positions: 30
- Pitch: 0.4 mm
- Mating I-PEX cable: LI-FAW-1233



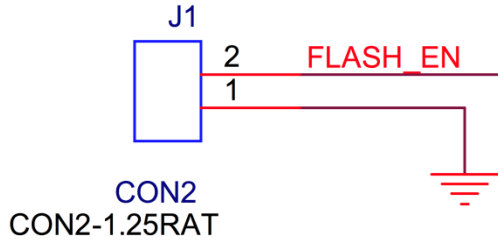
Interface J4:

- Part#: 1734829-2
- Number of Positions: 2
- Pitch: 1.25 mm



Interface J1:

- Part#: 1734829-2
- Number of Positions: 2
- Pitch: 1.25 mm



Leopard Imaging Inc.

1130 Cadillac Ct., Milpitas, CA 95035, USA
 Phone: +1-408-263-0988
 Fax: +1-408-217-1960
 Email: sales@leopardimaging.com
 Website: www.leopardimaging.com

Revision History

Revision	Description	Release Date
1.0	First release.	05. Jun. 2020
1.1	Deleted info quoted from sensor spec.	27. May. 2022

