



LI-IMX568-GMSL2-xxxH



Address:

910 Auburn Ct
Fremont, CA 94538
USA



Phone:

+1 (408)263-0988

Fax:

+1 (408)217-1960



Sales:

sales@leopardimaging.com

Support:

support@leopardimaging.com

INTRODUCTION

The LI-IMX568-GMSL2-xxxH is equipped with Sony diagonal 8.8 mm (Type 1/1.8) CMOS solid-state Pregius S image sensor IMX568 and Maxim GMSL2 serializer MAX9295A/B. This camera outputs RAW image data.

KEY FEATURES

Sensor	Sony Diagonal 8.8 mm CMOS Pregius S Image Sensor IMX568
Optical Format	1/1.8"
Shutter	Global shutter
Resolution	2472 (H) × 2064 (V) (active pixels)
Pixel Size	2.74 × 2.74 μm
Data Format	8-bit / 10-bit / 12-bit RAW
Color / Mono	Color sensor
Maximum Frame Rate	8-bit, 96.2 fps @ all-pixel scan mode 10-bit, 79.1 fps @ all-pixel scan mode 12-bit, 67.2 fps @ all-pixel scan mode
Lens	FOV H 50° / 105°
Serializer	Maxim MAX9295A/B
Power Supply Range	9 ~ 19 VDC
Connector	FAKRA Z TYPE
IP Rating	IP67
Power Consumption	80 mA @ 12 VDC (2472 x 2064 @ 20 fps)
Operating Temp	-40°C ~ +85°C
Storage Temp	-40°C ~ +85°C
Weight	~ 48 g
Part#	LI-IMX568-GMSL2-xxxH


APPLICATIONS

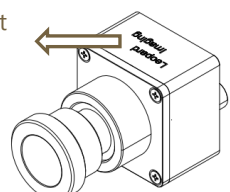
- FA Cameras
- ITS Cameras
- IoT
- Robots

DEFAULT IMAGING DIRECTION

- The logo "Leopard Imaging" is on the TOP.

TOP (Default Imaging Direction)



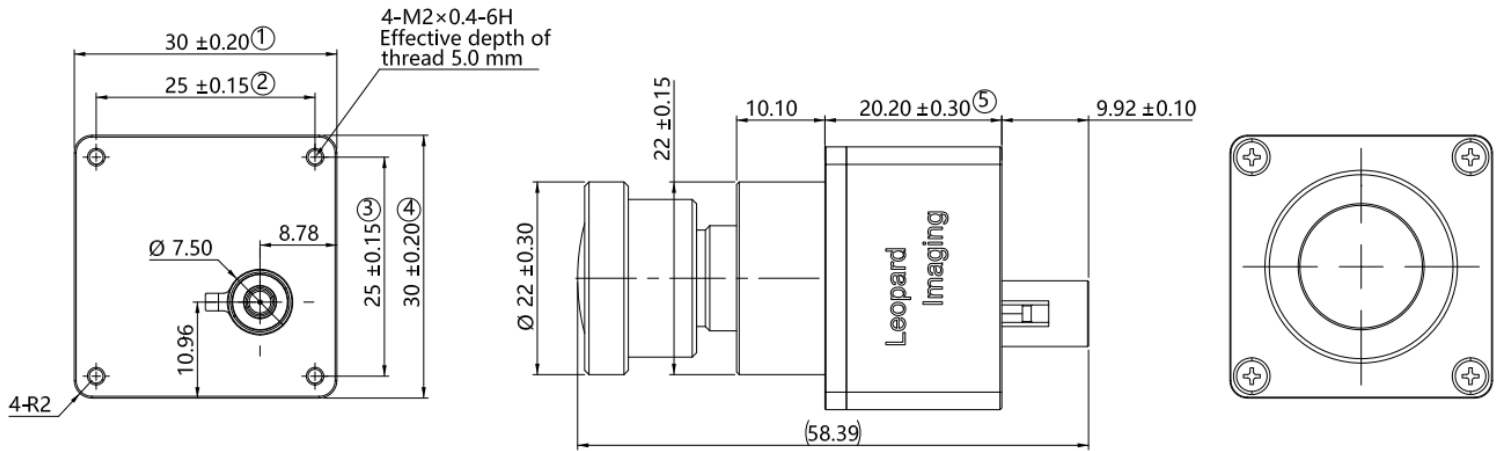


CABLE CONNECTOR

- Housing Connector: FAKRA Z Type
- Cable Length: 3 meters
- Cable Part#: FAK-SMZSMZ-3M




DIMENSIONS: LI-IMX568-GMSL2-050H

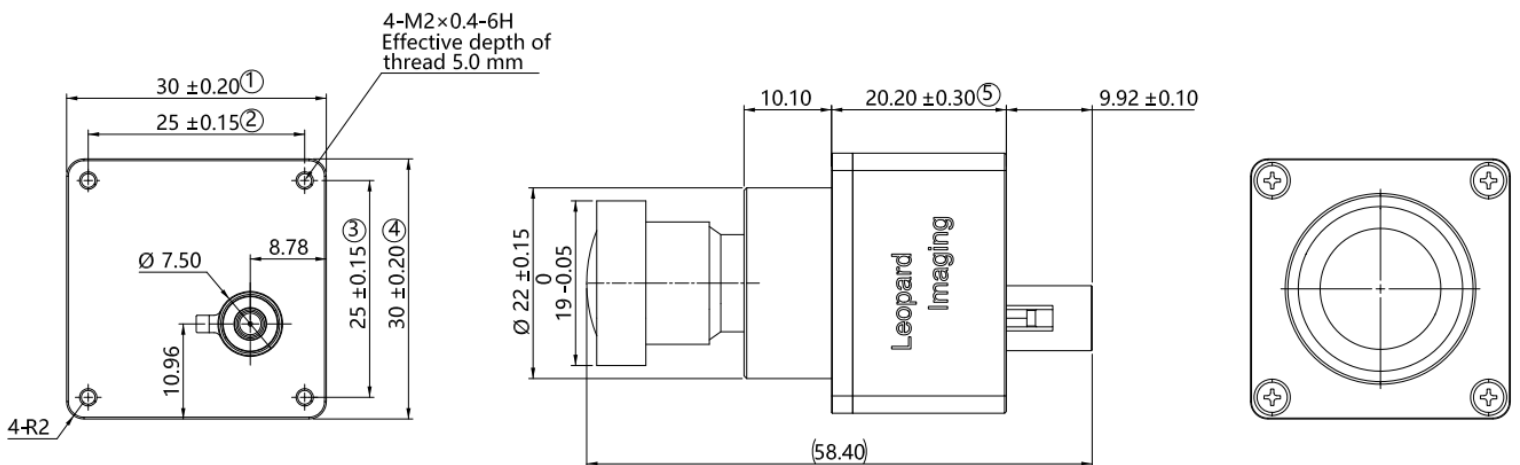


NOTE:

- ⊗ marked are important sizes.
- Tolerances for others unmarked are ± 0.3 mm.

Unit: mm

DIMENSIONS: LI-IMX568-GMSL2-105H



NOTE:

- ⊗ marked are important sizes.
- Tolerances for others unmarked are ± 0.3 mm.

Unit: mm

ORDERING INFORMATION

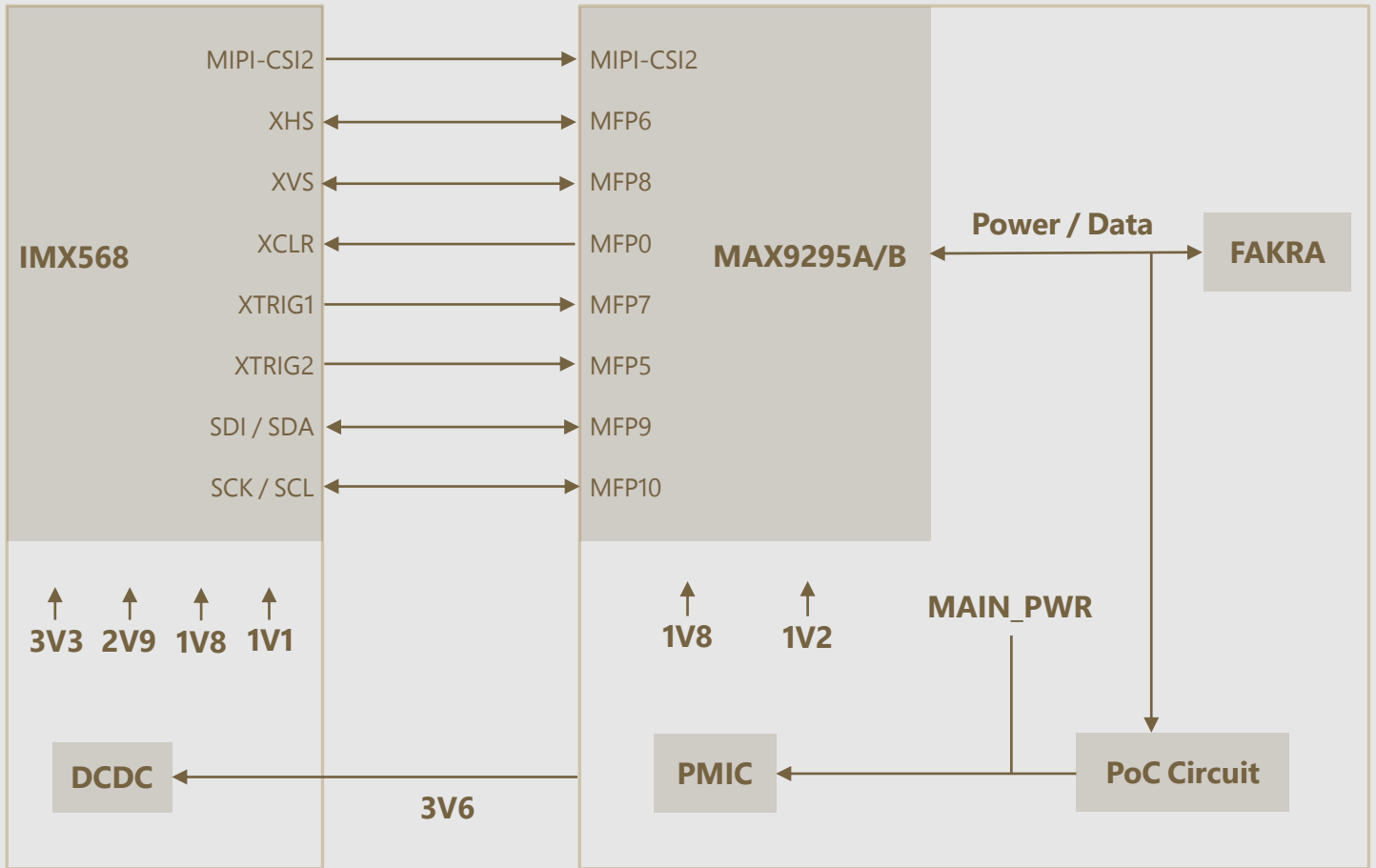
NOTE: xxxH refers to 050H (FOV H 50°), 105H (FOV H 105°)

LI-IMX568-GMSL2-050H	LI-IMX568-GMSL2-105H
	
Lens EFL: 7.9 mm	Lens EFL: 3.939 mm
Aperture, F/#: 2.0	Aperture, F/#: 2.20 ± 5%
Field of View (FOV): 50° (H)	Field of View (FOV): 105° (H)
Distortion: -8.6% rectilinear at 8.0 mm image circle	TV Distortion: -19.21%
IR Filter: 650 nm IR cut filter	Relative Illumination: 41.0% @ 1.0F
IP Rating: IP67	IP Rating: IP67
Mount: M12	Mount: M12

PINOUT CONNECTIONS

(I2C: 0x7A 8-bit)

(I2C: 0xC4 8-bit)



USB3.0 CAMERA KIT

LI-GMSL2-USB



Top View



Bottom View

LI-IMX568-GMSL2-xxxH can connect to LI-GMSL2-USB as a USB 3.0 camera.

Part#: **LI-USB30-IMX568-GMSL2-xxxH**

SPECIFICATIONS

- USB 3.0 Super Speed support
- RAW data output without compression
- UVC compliant
- Allows customization
- 12 VDC power supply for camera
- Weight: ~ 203 g
- Single Coax Cable transmits up to 12 meters PoC (Power over Cable)
- Resolution: 2472 × 2064 @ 20 fps
- Power consumption: 80 mA @ 12 VDC
- Compatible with Windows, Linux OS and other OS which have UVC drivers

BOM

#	Items	QTY
1	LI-IMX568-GMSL2-xxxH	1
2	LI-GMSL2-USB	1
3	3-Meter Fakra Cable	1
4	12 VDC Power Supply	1
5	USB3.0 Cable	1



SDK SUPPORTED

- Camera Tool Source Code in C#
- Capture & Display
- Register Access Function
- Save file as BMP & RAW format



● REVISION HISTORY

Revision	Description	Release Date
1.0	First release.	07 Mar 2023

910 Auburn Ct, Fremont, CA 94538, USA

Phone: +1-408-263-0988

Fax: +1-408-217-1960

Email: sales@leopardimaging.com

Website: www.leopardimaging.com



Leopard Imaging Inc.