



LI-IMX490-NVP2670-GMSL2-120H



Address:

48820 Kato Road
Suite 100B
Fremont, CA 94538
USA



Phone:

+1 (408)263-0988

Fax:

+1 (408)217-1960



Sales:

sales@leopardimaging.com

Support:

support@leopardimaging.com

INTRODUCTION

The LI-IMX490-NVP2670-GMSL2-120H is equipped with Sony 1/1.55" CMOS image sensor IMX490 which features an electronic shutter with variable charge integration time and offers 5.44 M active pixels. Also equipped with Nextchip NVP2670 ISP, the camera could achieve clearer image even under severe low luminance condition.

SPECIFICATIONS

| | |
|--------------------|---|
| Sensor | Sony Diagonal 10.36 mm (Type 1/1.55) CMOS Image Sensor IMX490 |
| Optical Format | 1/1.55" |
| Resolution | 2848 (H) × 1772 (V) |
| Pixel Size | 3.0 x 3.0 μm |
| Output Format | YUV422 8-bit |
| Color / Mono | Color |
| Frame Rate | 30 fps @ 2848 × 1772 |
| Serializer | Maxim MAX9295A |
| Power Supply Range | 9 ~ 19 V |
| ISP | Nextchip NVP2670 |
| FAKRA Connector | FAKRA Z TYPE |
| Power Consumption | 2.2 W at 2848 × 1772 @ 30 fps |
| Operating Temp | -40°C ~ +85°C |
| Storage Temp | -40°C ~ +85°C |
| Weight | ~ 67.2 g |
| Size | 30.0 (L) × 30.0 (W) × 58.9 (D) mm |
| Part# | LI-IMX490-NVP2670-GMSL2-120H |

APPLICATIONS

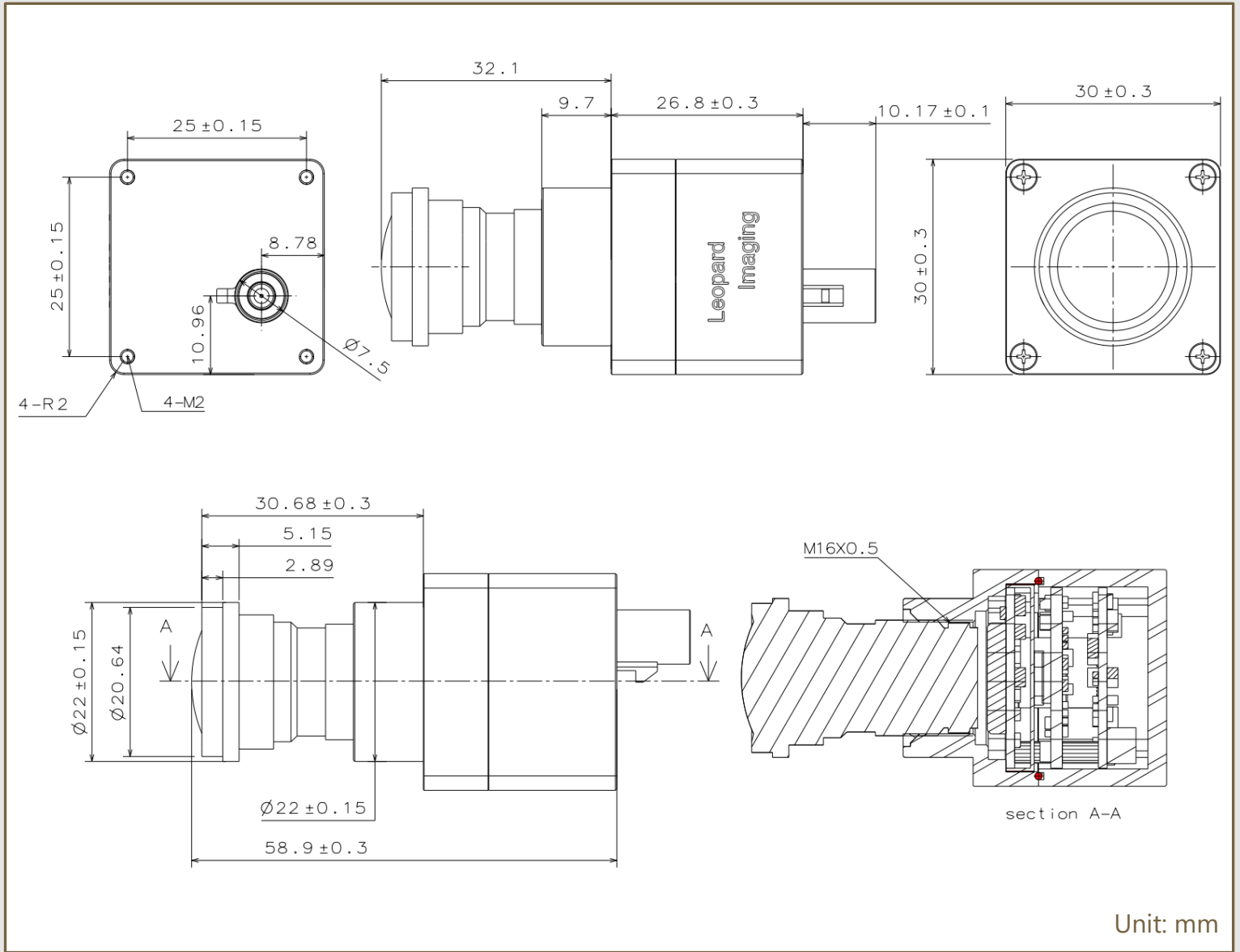
- High Performance ADAS
- Autonomous Driving
- High Dynamic Range Imaging
- Robots

LENS SPECIFICATIONS

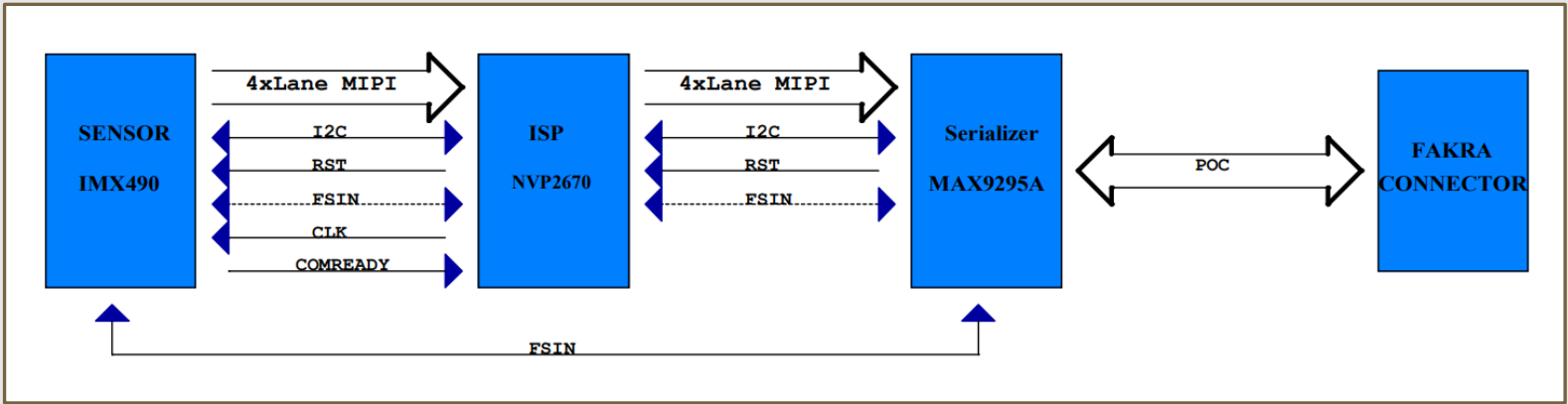
| | |
|-----------------------|----------------------|
| Focal Length | 4.49 mm |
| Aperture, F/# | 1.6 |
| Field of View (FOV) | 154.9° diagonal |
| | 120.0° horizontal |
| | 73.2° vertical |
| Optical Distortion | -75.0% |
| Relative Illumination | 64.0% |
| IR Filter | 650 nm IR cut filter |
| Lens Mount | M16 × 0.5P |



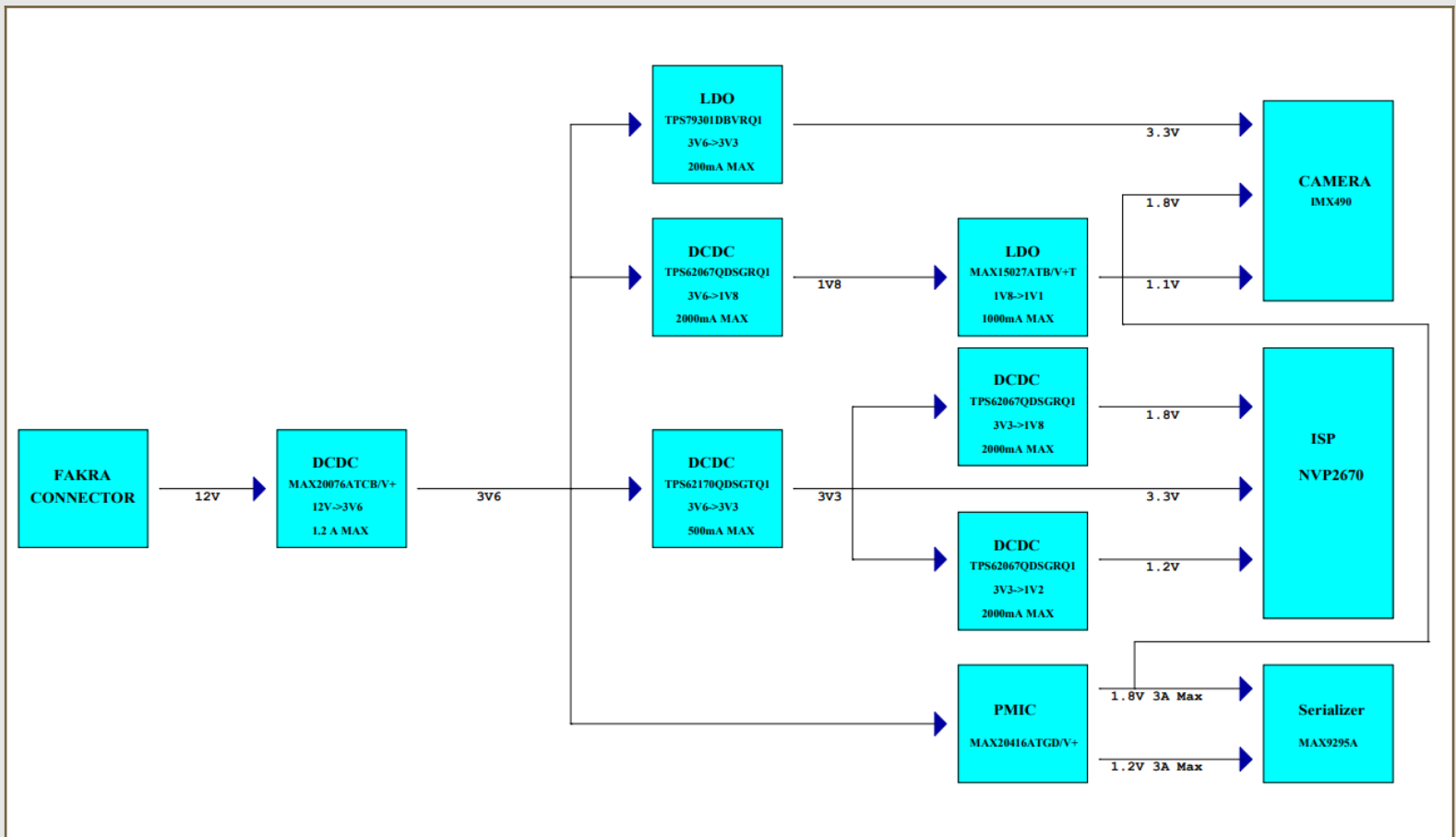
DIMENSIONS



SYSTEM BLOCK DIAGRAM



POWER BLOCK DIAGRAM



USB3.0 CAMERA KIT

LI-GMSL2-USB-BOX



Front View



Side View

LI-IMX490-NVP2670-GMSL2-120H can connect to LI-GMSL2-USB-BOX as a USB 3.0 camera.

Part#: LI-USB30-IMX490-NVP2670-GMSL2-120H

SPECIFICATIONS

- USB 3.0 Super Speed support
- UVC compliance
- Provide customization services
- 12 VDC power supply for camera
- Weight: ~ 143.7 g
- Single Coax Cable transmit up to 12 meters PoC (Power over Cable)
- Resolution: 2848 × 1772 @ 30 fps
- Support Windows, Linux OS and other OS which include the UVC drivers

BOM

| # | Items | QTY |
|---|------------------------------|-----|
| 1 | LI-IMX490-NVP2670-GMSL2-120H | 1 |
| 2 | LI-GMSL2-USB-BOX | 1 |
| 3 | 3-Meter Fakra Cable | 1 |
| 4 | 12 VDC Power Supply | 1 |
| 5 | USB3.0 Cable | 1 |



SDK SUPPORTED

- Camera Tool Source Code in C#
- Capture & Display

● REVISION HISTORY

| Revision | Description | Release Date |
|----------|----------------|--------------|
| 1.0 | First release. | 26 May 2021 |

48820 Kato Rd, Suite 100B, Fremont, CA 94538, USA

Phone: +1-408-263-0988

Fax: +1-408-217-1960

Email: sales@leopardimaging.com

Website: www.leopardimaging.com

