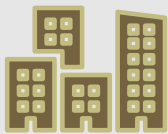




LI-IMX490-FPDLINKIII-xxxH



Address:

48820 Kato Road
Suite 100B
Fremont, CA 94538
USA



Phone:

+1 (408)263-0988

Fax:

+1 (408)217-1960



Sales:

sales@leopardimaging.com

Support:

support@leopardimaging.com

INTRODUCTION

The LI-IMX490-FPDLINKIII-xxxH is equipped with Sony automotive sensor IMX490 and FPD-Link III serializer TI953 and is designed for automotive applications. This camera outputs RAW image data and supports HDR (High Dynamic Range) function.

KEY FEATURES

Sensor	Sony Diagonal 10.36 mm (Type 1/1.55) CMOS Image Sensor IMX490
Optical Format	1/1.55"
Resolution	2897 (H) x 1877 (V) (active pixels)
Pixel Size	3.0 x 3.0 μm
Data Format	20-bit / 16-bit / 14-bit / 12-bit RAW
Color / Mono	Color sensor
Maximum Frame Rate	40 fps @ 2880 x 1860
HDR (High Dynamic Range)	Supported
LFM (LED Flicker Mitigation)	Supported
Lens	FOV H 30° / 40° / 65° / 90° / 120°
Serializer	TI953 FPD-Link III (DS90UB953-Q1)
Power Supply Range	9 ~ 19 VDC
Connector	FAKRA Z TYPE
IP Rating	IP67 or IP69K
Power Consumption	< 120 mA @ 12 VDC
Operating Temp	-40°C ~ +85°C
Storage Temp	-40°C ~ +125°C
Weight	~ 55 g
Part#	LI-IMX490-FPDLINKIII-xxxH

APPLICATIONS

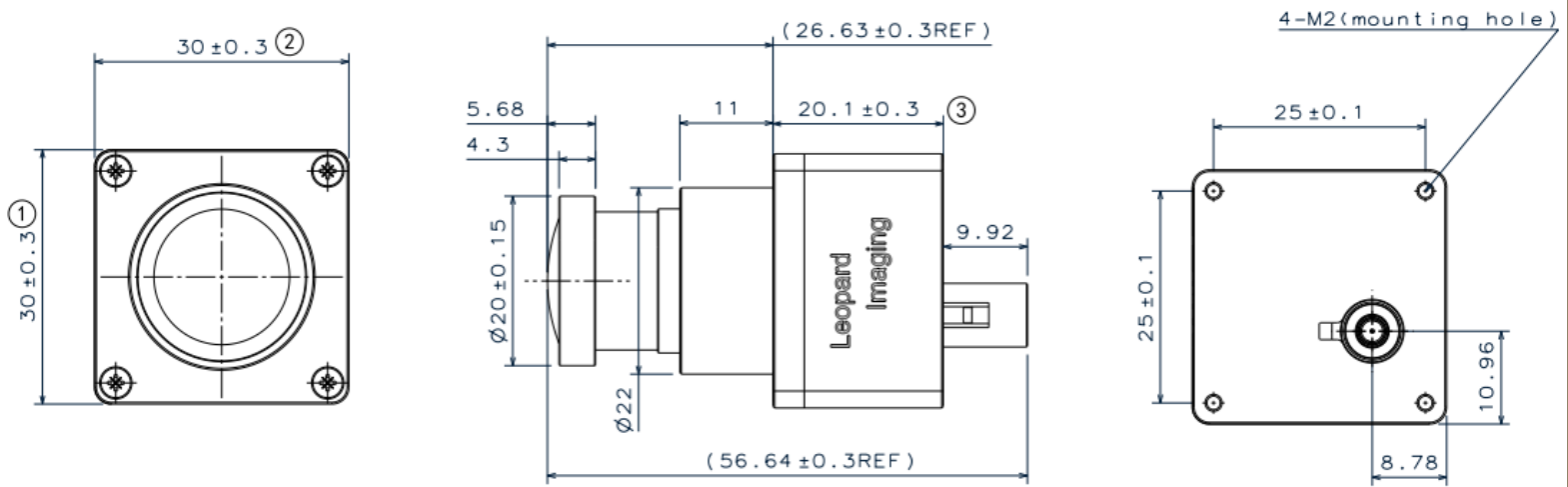
- Automotive ADAS
- Automotive Rear View or Backup

CABLE CONNECTOR

- Housing Connector: FAKRA Z Type
- Cable Length: 3 meters
- Cable Part#: FAK-SMZSMZ-3M



DIMENSIONS: LI-IMX490-FPDLINKIII-030H

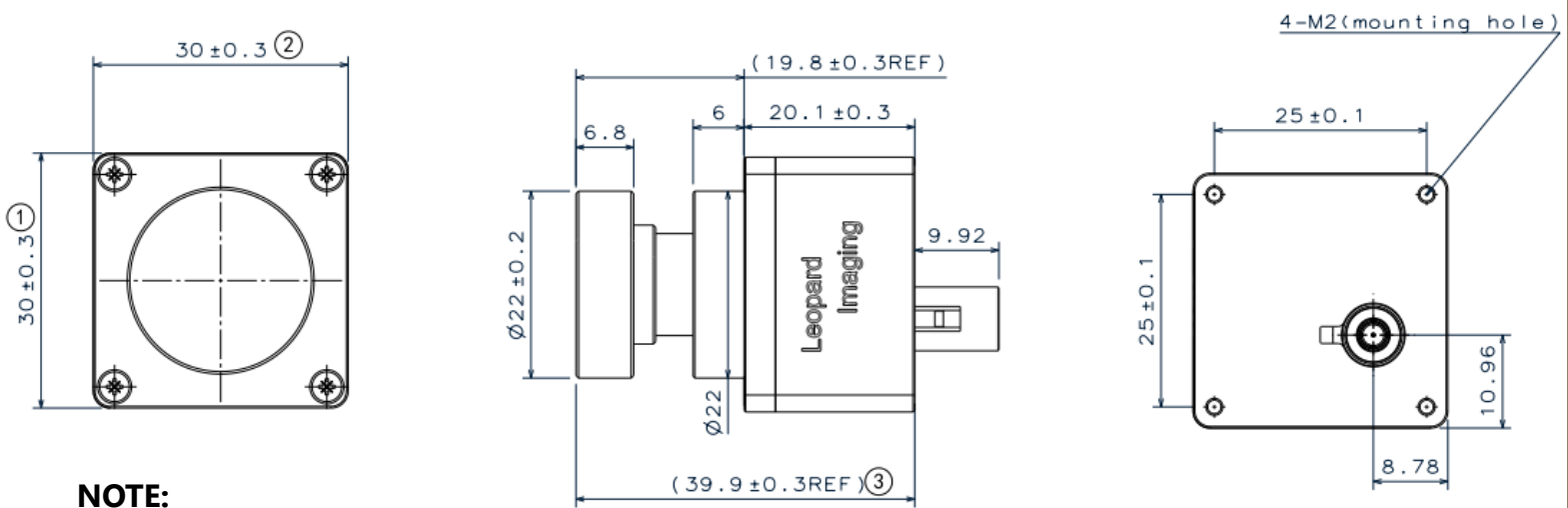


NOTE:

- \otimes marked are important sizes.
- Tolerance for others unmarked is ± 0.3 mm.

Unit: mm

DIMENSIONS: LI-IMX490-FPDLINKIII-040H

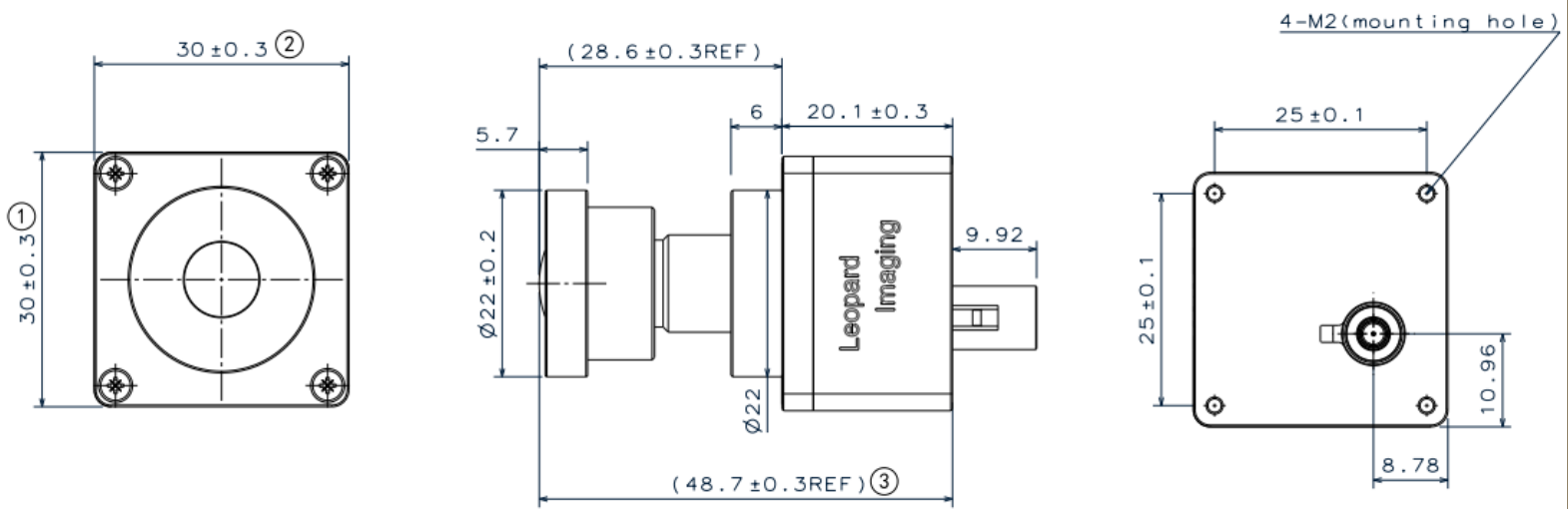


NOTE:

- \otimes marked are important sizes.
- Tolerance for others unmarked is ± 0.3 mm.

Unit: mm

DIMENSIONS: LI-IMX490-FPDLINKIII-065H

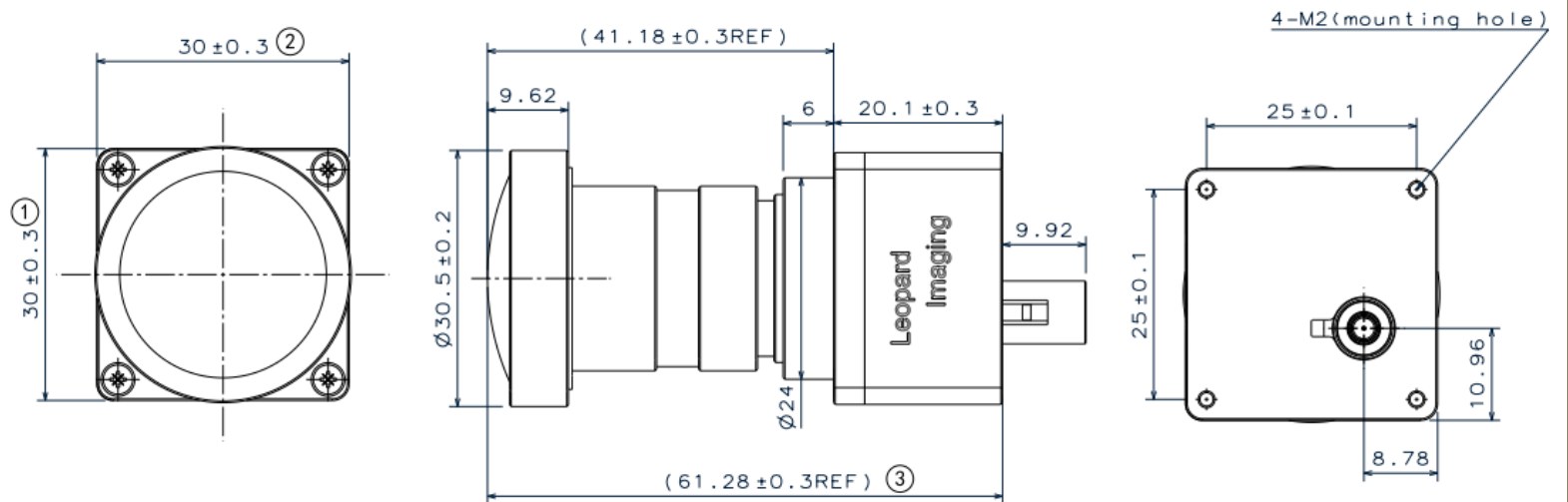


NOTE:

- \otimes marked are important sizes.
- Tolerance for others unmarked is ± 0.3 mm.

Unit: mm

DIMENSIONS: LI-IMX490-FPDLINKIII-090H

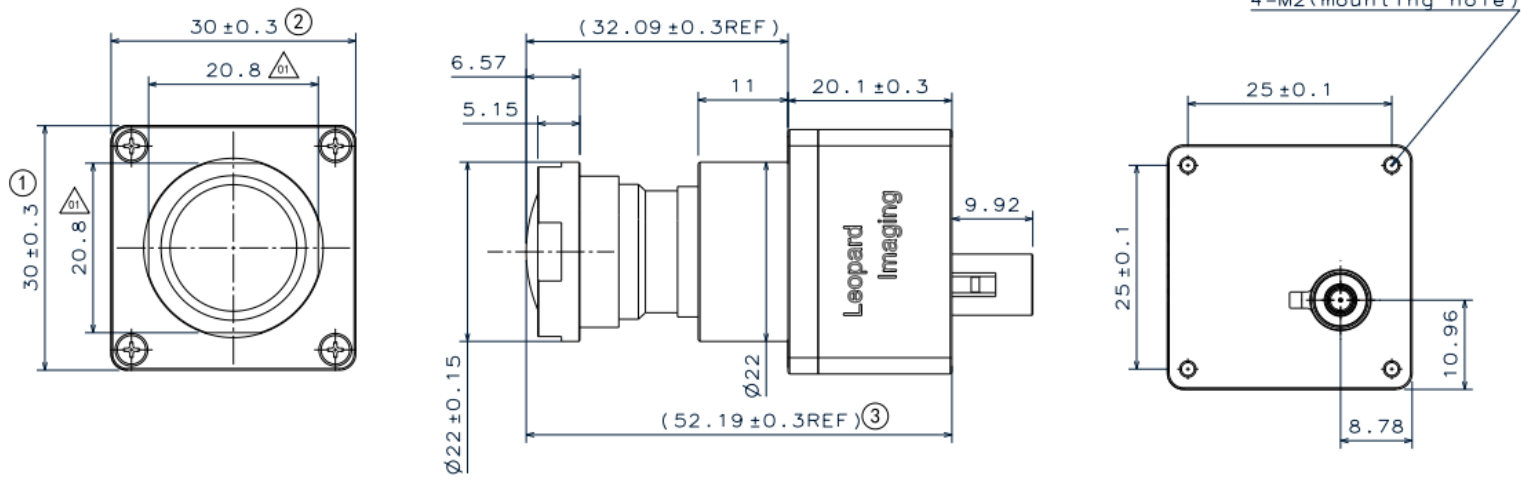


NOTE:

- \otimes marked are important sizes.
- Tolerance for others unmarked is ± 0.3 mm.

Unit: mm

DIMENSIONS: LI-IMX490-FPDLINKIII-120H



NOTE:

- \otimes marked are important sizes.
- Tolerance for others unmarked is ± 0.3 mm.
- \triangle indicates revisions have been made.

Unit: mm

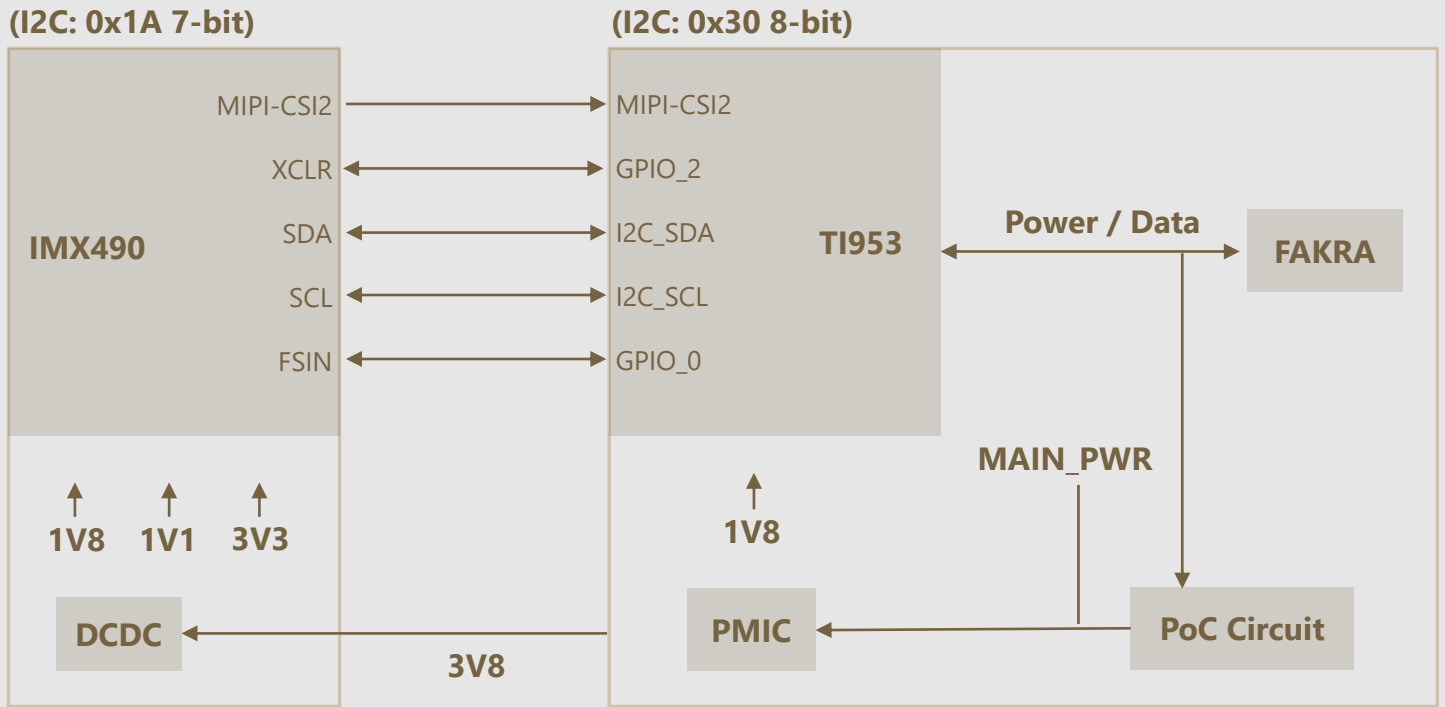
LENS SPECIFICATIONS

xxxH refers to 030H (FOV H 30°), 040H (FOV H 40°), 065H (FOV H 65°), 090H (FOV H 90°), 120H (FOV H 120° .)

LI-IMX490-FPDLINKIII-030H	LI-IMX490-FPDLINKIII-040H
	
Lens: CAR-56	Lens: DSL612
Lens EFL: 16.37 mm	Lens EFL: 11.9 mm
Aperture, F/#: 1.6	Aperture, F/#: 2.0
Field of View (FOV): 35.5° (D) / 30.0° (H) / 19.5° (V)	Field of View (FOV): 44.4° (D) / 38.0° (H) / 20.8° (V)
Mount: M17	Mount: M12
IP Rating: IP69K	IP Rating: IP67

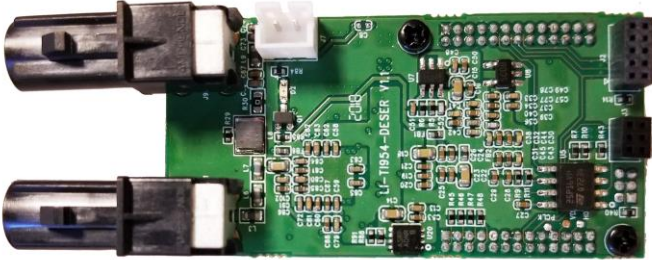
LI-IMX490-FPDLINKIII-065H	LI-IMX490-FPDLINKIII-090H	LI-IMX490-FPDLINKIII-120H
		
Lens: DSL608	Lens: DSL492	Lens: CAR-55
Lens EFL: 7.9 mm	Lens EFL: 5.9 mm	Lens EFL: 4.49 mm
Aperture, F/#: 2.0	Aperture, F/#: 2.9	Aperture, F/#: 1.6
Field of View (FOV): 74.0° (D) / 65.0° (H) / 37.0° (V)	Field of View (FOV): 100.8° (D) / 88.4° (H) / 52.0° (V)	Field of View (FOV): 154.9° (D) / 120.0° (H) / 73.2° (V)
Mount: M12	Mount: M20	Mount: M16
IP Rating: IP67	NOT Waterproof	IP Rating: IP69K

PINOUT CONNECTIONS



USB3.0 CAMERA KIT

LI-FPDLINKIII-USB



Top View



Bottom View

LI-IMX490-FPDLINKIII-xxxH can connect to LI-FPDLINKIII-USB as a USB 3.0 camera.

Part#: **LI-USB30-IMX490-FPDLINKIII-xxxH**

SPECIFICATIONS

- USB 3.0 Super Speed support
- RAW data output without compression
- UVC compliant
- Allow customization
- 12 VDC power supply for camera
- Support HDR
- Weight: ~ 86 g
- Single Coax Cable transmits up to 12 meters PoC (Power over Cable)
- Resolution: 2896 x 1876 @ 10 fps
- Power consumption: < 120 mA @ 12 VDC
- Compatible with Windows, Linux, and other operating systems that have UVC drivers

BOM

#	Items	QTY
1	LI-IMX490-FPDLINKIII-xxxH	1
2	LI-FPDLINKIII-USB	1
3	3-Meter Fakra Cable	1
4	12 VDC Power Supply	1
5	USB3.0 Cable	1



SDK SUPPORTED

- Camera Tool Source Code in C#
- Capture & Display
- Register Access Function
- Save file as BMP & RAW format

● REVISION HISTORY

Revision	Description	Release Date
1.0	First release.	20 Aug 2019
1.1	Added DSL492 lens and updated the resolution to full size.	26 Aug 2019
1.2	Added 030H lens.	02 Aug 2019
1.3	Changed CAR-53 lens to CAR-55.	02 Jun 2021
1.4	<ol style="list-style-type: none">1. Replaced CAR-36 with CAR-56 and added CAR-56 dimensions.2. Replaced system and power block diagram with pinout connections diagram.	16 Mar 2022

48820 Kato Rd, Suite 100B, Fremont, CA 94538, USA

Phone: +1-408-263-0988

Fax: +1-408-217-1960

Email: sales@leopardimaging.com

Website: www.leopardimaging.com

