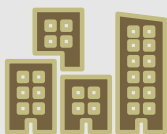
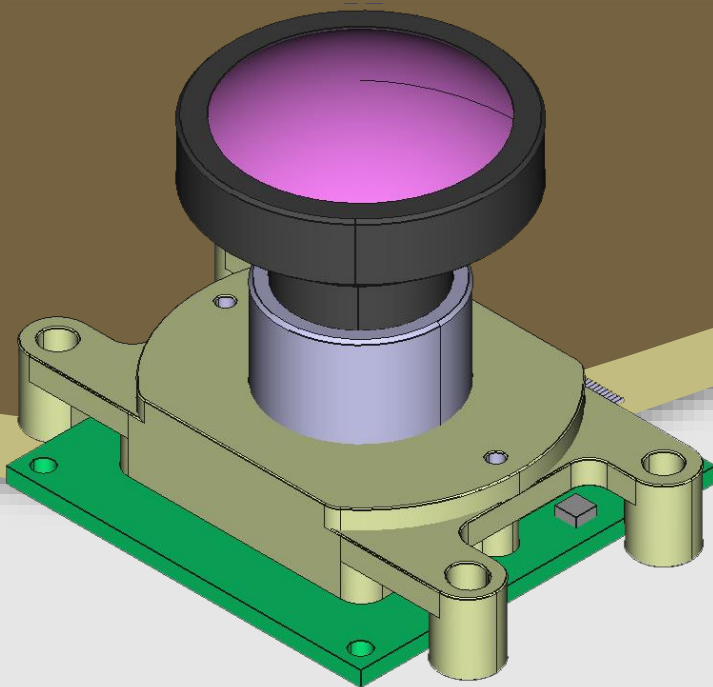




# LI-IMX464-MIPI-093H



**Address:**

48820 Kato Road  
Suite 100B  
Fremont, CA 94538  
USA



**Phone:**

+1 (408)263-0988

**Fax:**

+1 (408)217-1960



**Sales:**

[sales@leopardimaging.com](mailto:sales@leopardimaging.com)

**Support:**

[support@leopardimaging.com](mailto:support@leopardimaging.com)

## INTRODUCTION

The LI-IMX464-MIPI-093H is a MIPI CSI-2 camera with Sony diagonal 9.04 mm (Type 1/1.8) CMOS solid-state image sensor IMX464 which ensures high-sensitivity, low dark current, low power consumption and no smear. This camera outputs 10-bit / 12-bit RAW data.

## SPECIFICATIONS

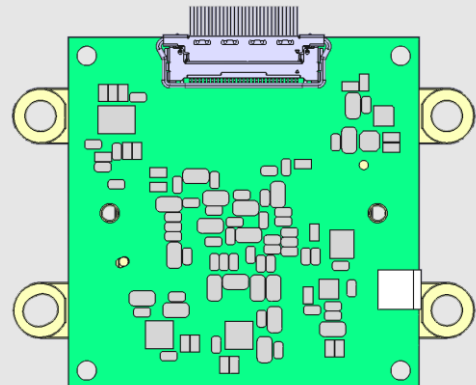
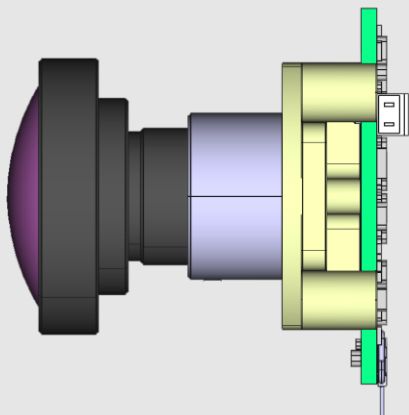
Sensor	Sony Diagonal 9.04 mm (Type 1/1.8) CMOS Image Sensor IMX464
Optical Format	1/1.8"
Resolution	2712 (H) x 1536 (V) (active pixels)
Pixel Size	2.9 x 2.9 $\mu\text{m}$
Output Format	10-bit / 12-bit RAW data
Maximum Frame Rate	90 fps @ 2688 x 1520
ISP	Not included
Color / Mono	Color
Interface	4-lane MIPI CSI-2
Power Consumption	123 mA @ 3.3 VDC
Operating Temp	-30°C ~ +80°C
Storage Temp	-30°C ~ +80°C
Weight	TBD
Part#	LI-IMX464-MIPI-093H

## APPLICATIONS

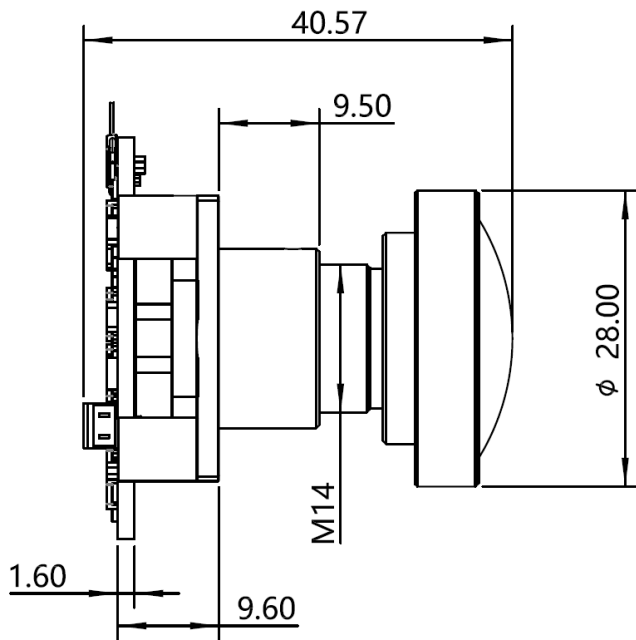
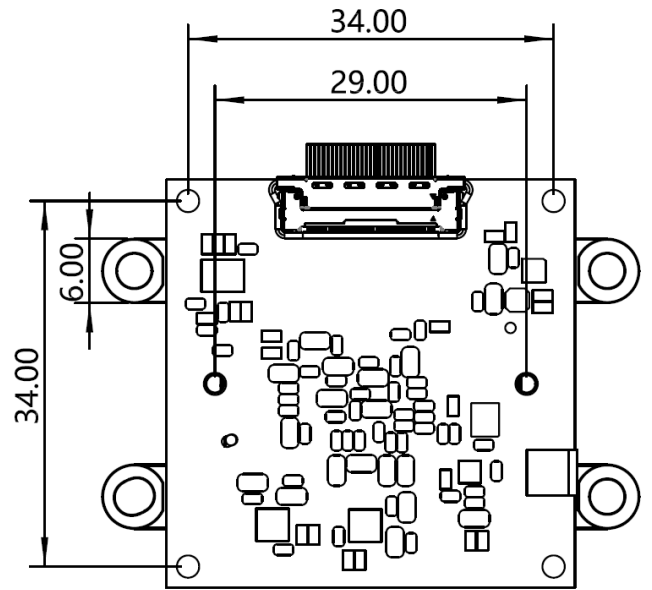
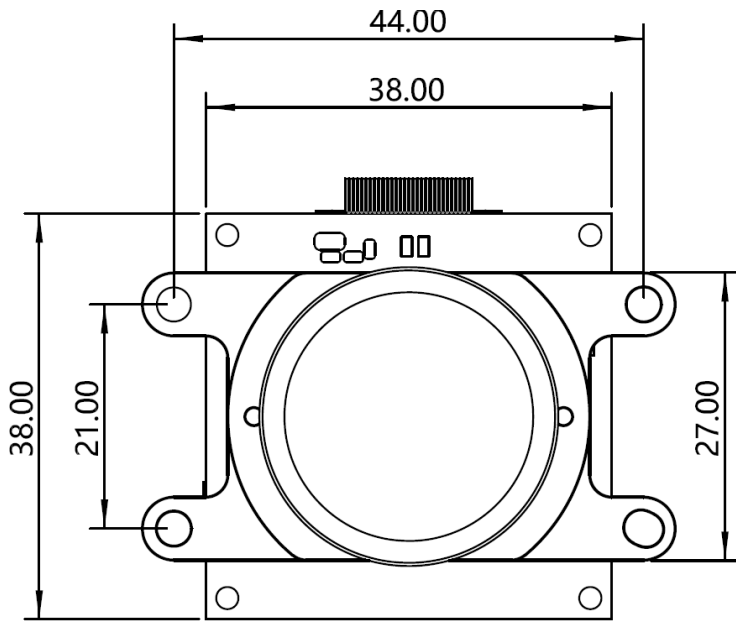
- IoT
- Drone
- Robots

## LENS SPECIFICATIONS

Focal Length	3.98 mm
Aperture, F/#	2.8
Field of View (FOV)	93° horizontal
Optical Distortion	< -10.8%
Relative Illumination	> 50%
IR Filter	650 nm IR cut filter
Lens Mount	M14 x 0.5



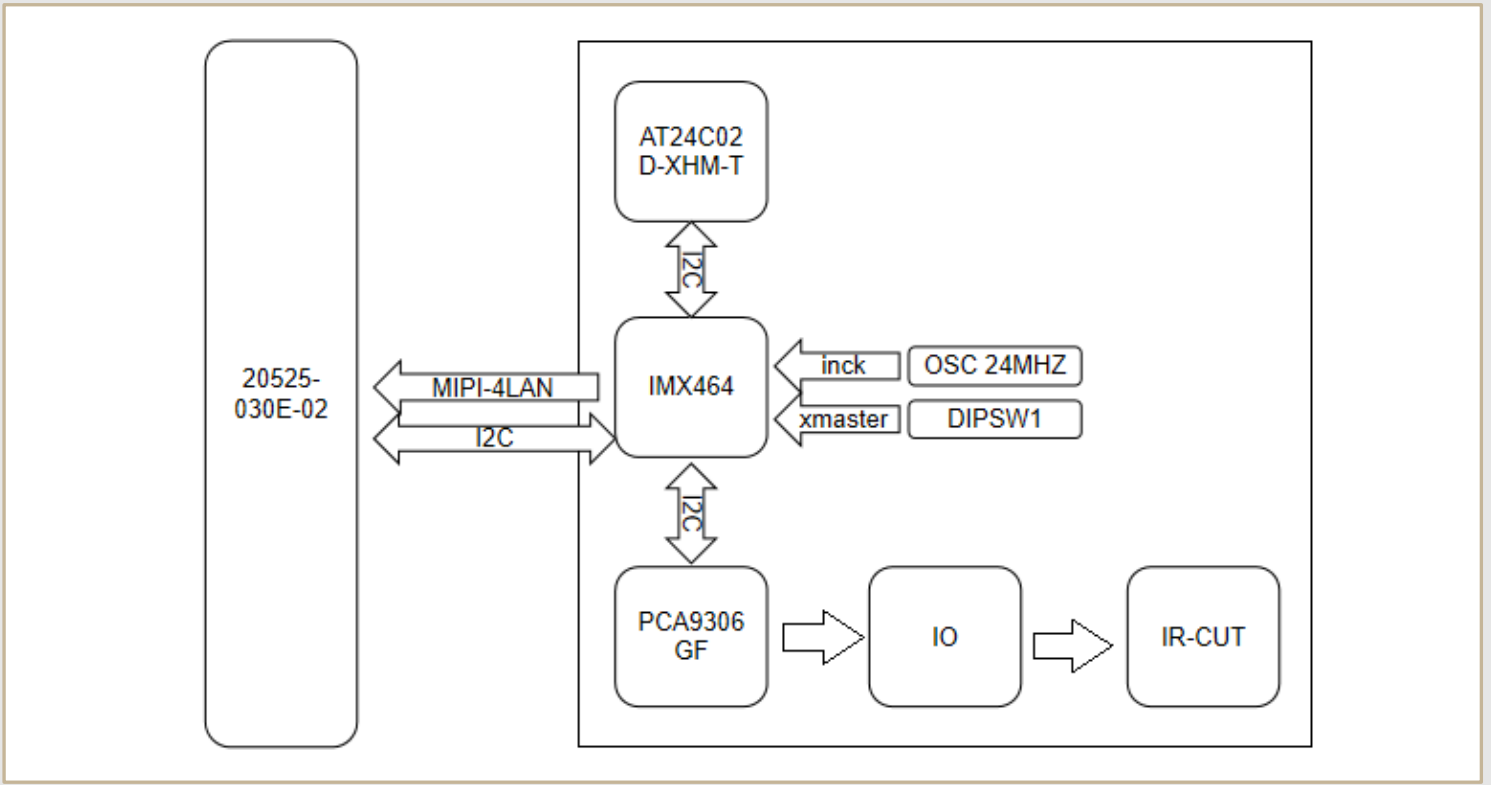
# DIMENSIONS



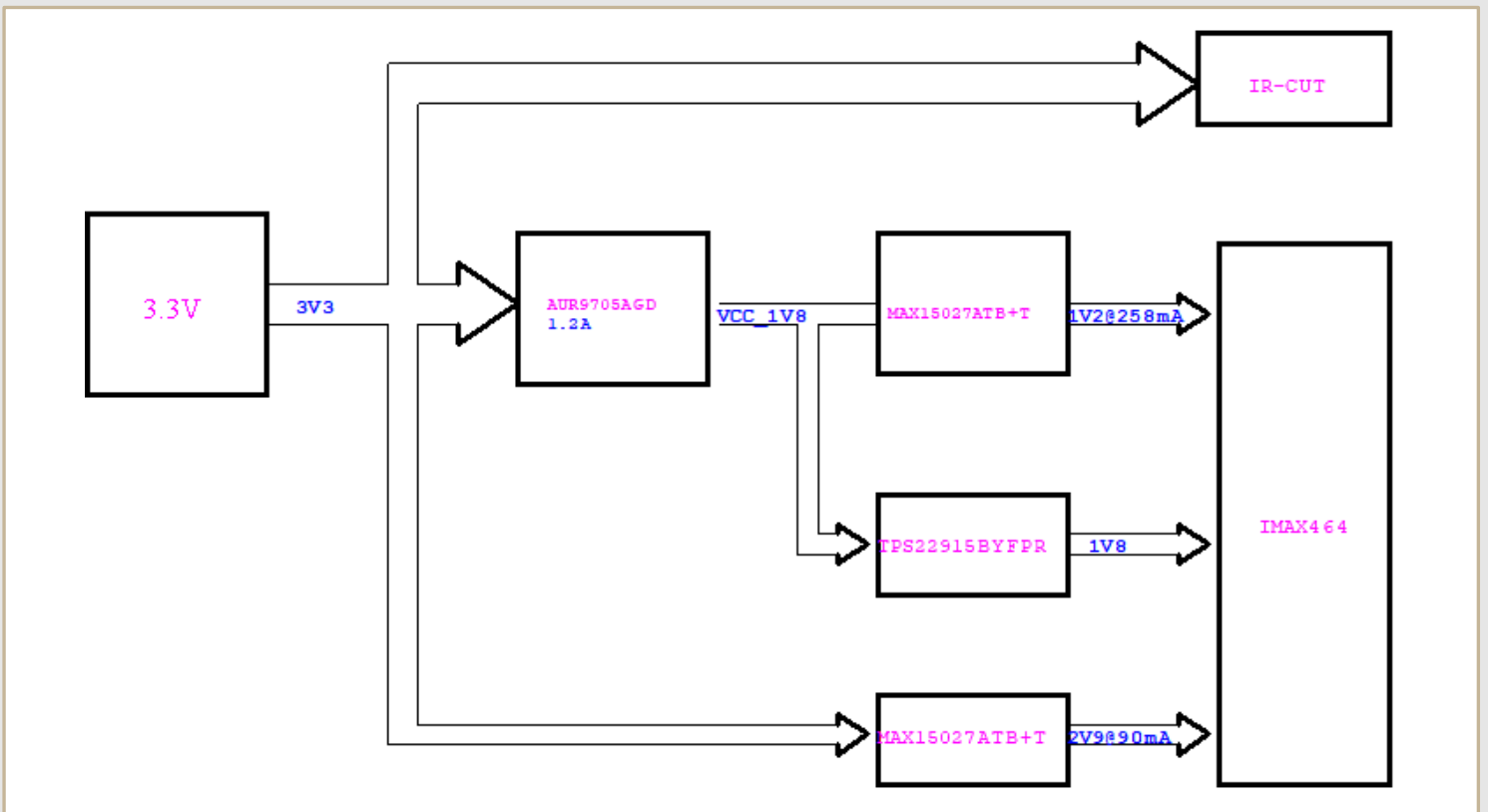
TOLERANCE TABLE		
Size X (mm)	Tolerance (mm)	Angle Tolerance (°)
0.5 < X ≤ 3	±0.1mm	±0.05°
3 < X ≤ 6	±0.1mm	±0.05°
6 < X ≤ 30	±0.2mm	±0.05°
30 < X ≤ 120	±0.3mm	±0.05°
120 < X ≤ 400	±0.5mm	±0.1°
400 < X ≤ 1000	±0.8mm	±0.1°
X > 1000	±1.2mm	±0.1°

Unit: mm

# SYSTEM BLOCK DIAGRAM



# POWER BLOCK DIAGRAM



## ● SOFTWARE SUPPORT

Platforms	Latest Drivers
NVIDIA Jetson Platforms	Please check detailed Jetson driver information: <a href="https://www.leopardimaging.com/driver-support/">https://www.leopardimaging.com/driver-support/</a>
Leopard USB3.0 Tester	The latest firmware will be pre-installed into the USB3.0 Camera Kit

## ● REVISION HISTORY

Revision	Description	Release Date
1.0	First release.	20 Aug 2021
1.1	Deleted info quoted from sensor spec.	26 May 2022

48820 Kato Rd, Suite 100B, Fremont, CA 94538, USA

Phone: +1-408-263-0988

Fax: +1-408-217-1960

Email: [sales@leopardimaging.com](mailto:sales@leopardimaging.com)

Website: [www.leopardimaging.com](http://www.leopardimaging.com)

