



LEOPARD IMAGING INC

LI-IMX424-GW5400-FPDLINKIII-xxxH Data Sheet

Key Features

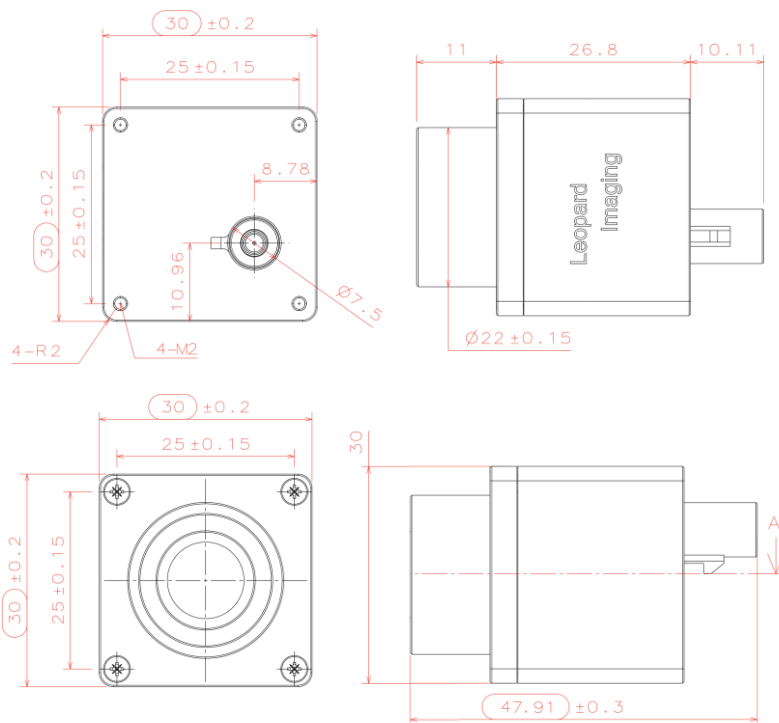
- Sony Diagonal 9.69 mm (Type 1/1.7) CMOS Image Sensor IMX424
- Optical format: 1/1.7"
- Resolution: 1920 (H) x 1080 (V)
- Pixel size: 2.25 x 2.25 μm
- YUV output without compression
- Includes GEO Semi GW5400 ISP
- Supports HDR
- Lens: FOV H 40° / 65° / 120°
- TI953 Serializer
- Supports 9V ~ 19V power supply
- Connector: FAKRA Z TYPE
- IP Rating: IP67 or IP69K
- Operation Temp: -40°C ~ +85°C
- Storage Temp: -40°C ~ +125°C
- Weight: ~ 50 g
- Part#: **LI-IMX424-GW5400-FPDLINKIII-xxxH**



Application

- Automotive ADAS
- ADAS + Viewing Fusion

Dimensions



USA Office
 48820 Kato Rd, Suite 100B, Fremont, CA 95035, USA
 Phone: +1-408-263-0988
 Fax: +1-408-217-1960
 Email: sales@leopardimaging.com
 Website: www.leopardimaging.com

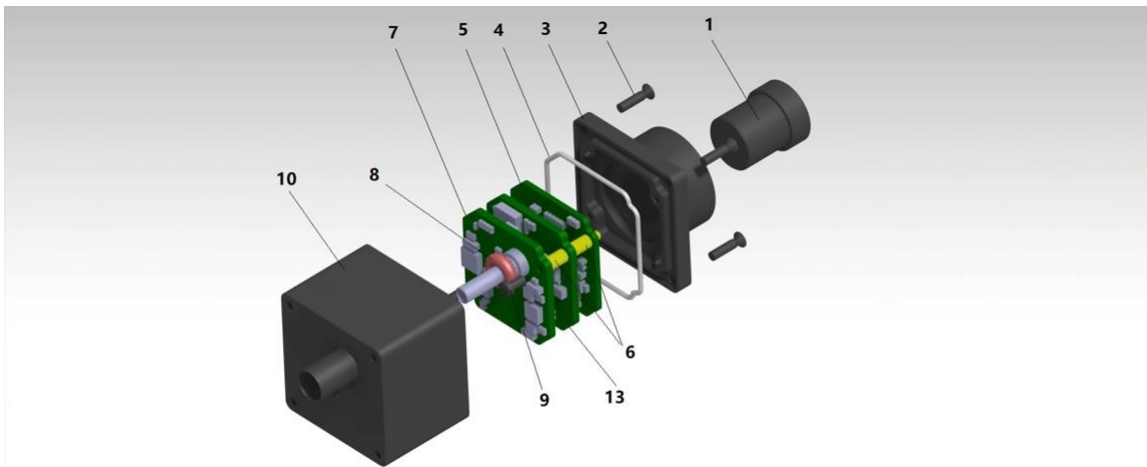
Shanghai Office (China)

上海市闵行区宜山路 1618 号新意城 A 座 9 楼 A910, 201103
 Phone: + 86-139-1857-8492
 王斌(Robin Wang)
 Email: robinw@leopardimaging.com



BOM

#	Name	SPEC	QTY/SET
1	M12 Lens	DSL612 DSL608 CAR-55	1
2	Screw	KM2*8 black STAINLESS 304	4
3	Shell 2	AL6061-T6 BLACK Anodizing	1
4	Sealing ring	Silicon rubber, White	1
5	LI-IMX424-MIPI-FKR	IMX424 sensor board	1
6	Copper pillar	M2*5+4	4
7	LI-TI953-FKR	TI953 serializer board	1
8	O ring	7*2.4 Silicon rubber Red	1
9	Screw	M2*4 black ZINC	2
10	Shell 1	AL6061-T6 BLACK Anodizing	1
13	LI-GW5400-MIPI	GW5400 ISP board	1

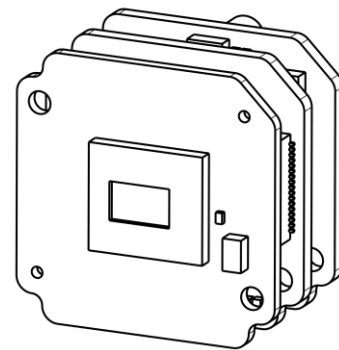
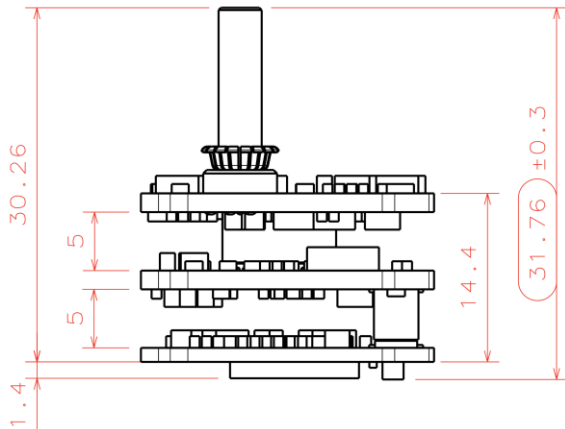
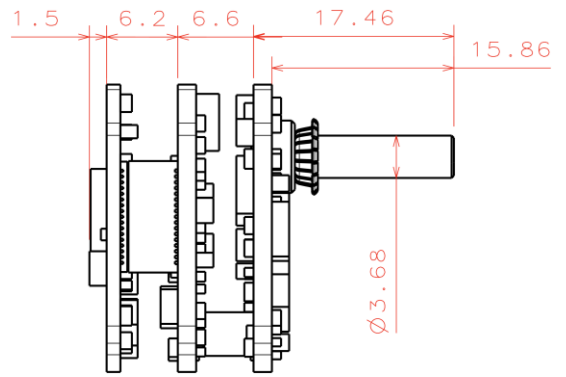
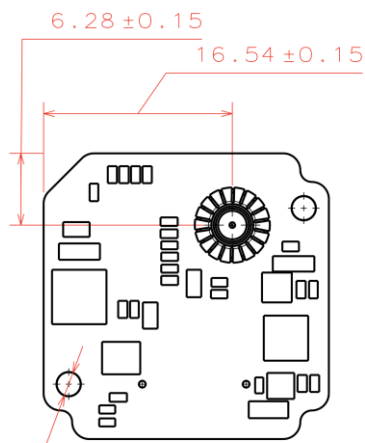
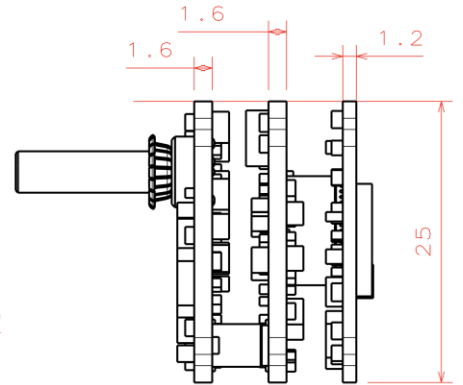
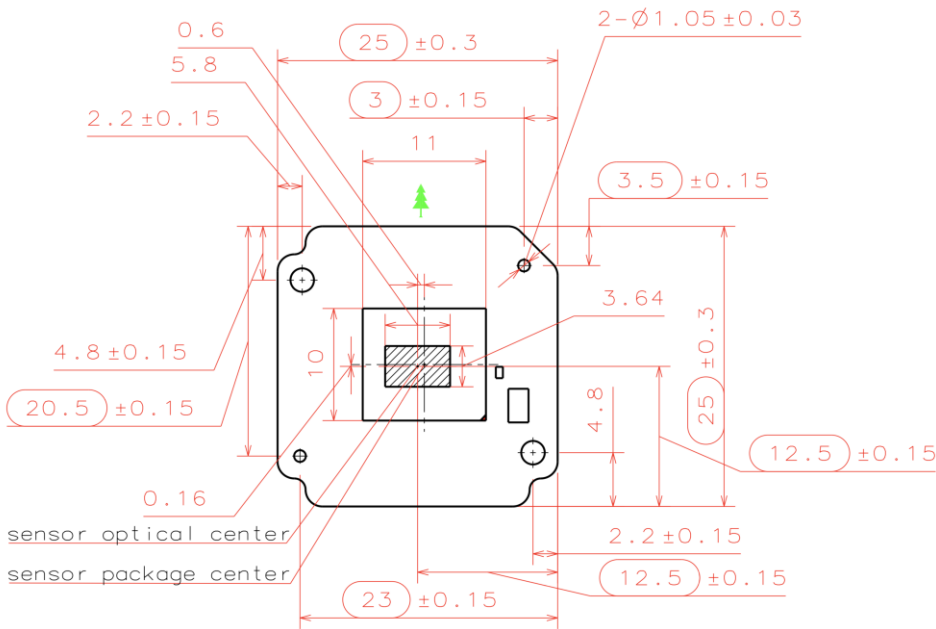


USA Office
 48820 Kato Rd, Suite 100B, Fremont, CA 95035, USA
 Phone: +1-408-263-0988
 Fax: +1-408-217-1960
 Email: sales@leopardimaging.com
 Website: www.leopardimaging.com

Shanghai Office (China)

上海市闵行区宜山路 1618 号新意城 A 座 9 楼 A910, 201103
 Phone: + 86-139-1857-8492
 王斌(Robin Wang)
 Email: robinw@leopardimaging.com

Camera Boards Dimensions



USA Office
 48820 Kato Rd, Suite 100B, Fremont, CA 95035, USA
 Phone: +1-408-263-0988
 Fax: +1-408-217-1960
 Email: sales@leopardimaging.com
 Website: www.leopardimaging.com

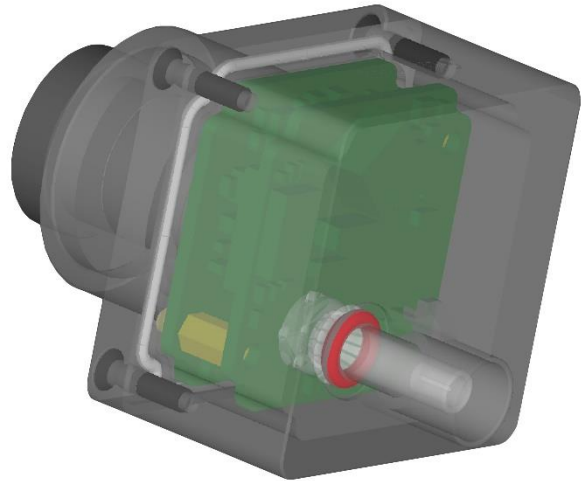
Shanghai Office (China)

上海市闵行区宜山路 1618 号新意城 A 座 9 楼 A910, 201103
 Phone: + 86-139-1857-8492
 王斌(Robin Wang)
 Email: robinw@leopardimaging.com

Water Proof

- Metal Housing
- Water-proof M12 lens
- Sealed Gasket (White)
- Sealed O-ring (Red)

Note: The lens must be glued for water proof.



Cable Connector

- Housing Connector- FAKRA Z Type
- Cable length: 3 meters
Supports single Coax Cable transmit up to 12 meters
- Cable Part#: FAK-SMZSMZ-3M
- FAKRA type connectors



USA Office
48820 Kato Rd, Suite 100B, Fremont, CA 95035, USA
Phone: +1-408-263-0988
Fax: +1-408-217-1960
Email: sales@leopardimaging.com
Website: www.leopardimaging.com

Shanghai Office (China)

上海市闵行区宜山路 1618 号新意城 A 座 9 楼 A910, 201103
Phone: + 86-139-1857-8492
王斌(Robin Wang)
Email: robinw@leopardimaging.com

Ordering Information

Part#: LI-IMX424-GW5400-FPDLINKIII-xxxH

Note:

xxxH - 040H: FOV H 40°
 065H: FOV H 65°
 120H: FOV H 120°

LI-IMX424-GW5400-FPDLINKIII-040H	LI-IMX424-GW5400-FPDLINKIII-065H	LI-IMX424-GW5400-FPDLINKIII-120H
		
<p>Lens: DSL612 Lens EFL: 11.9 mm F/#: 2.0 FOV(D): 42.7° FOV(H): 39.1° FOV(V): 16.9° Mount: M12</p>	<p>Lens: DSL608 Lens EFL: 7.9 mm F/#: 2.0 FOV(D): 69.2° FOV(H): 63.3° FOV(V): 28.5° Mount: M12</p>	<p>Lens: CAR-55 Lens EFL: 4.49 mm F/#: 1.6 FOV(D): 133.5° FOV(H): 119° FOV(V): 52° Mount: M16</p>



USA Office
 48820 Kato Rd, Suite 100B, Fremont, CA 95035, USA
 Phone: +1-408-263-0988
 Fax: +1-408-217-1960
 Email: sales@leopardimaging.com
 Website: www.leopardimaging.com

Shanghai Office (China)

上海市闵行区宜山路 1618 号新意城 A 座 9 楼 A910, 201103
 Phone: + 86-139-1857-8492
 王斌(Robin Wang)
 Email: robinw@leopardimaging.com

LI-FPDLINKIII-FP-USB-BOX



LI-IMX424-GW5400-FPDLINKIII can connect to LI-FPDLINKIII-FP-USB-BOX as a USB 3.0 camera.

Part#: **LI-USB30-IMX424-GW5400-FPDLINKIII-xxxH**

Key Features

- USB 3.0 Super Speed support
- YUV output without compression
- Supports HDR
- UVC compliant
- Allows customization
- 12 VDC Power Supply (Comes with camera)
- Weight: ~ 178 g
- Single Coax Cable transmits up to 12-meter PoC (Power over Cable)
- Resolution: 1920 x 1080 @ 30 fps
- Power consumption: < 215 mA @ 12 VDC
- Compatible with Windows, Linux OS and other OS which have UVC drivers

SDK Supported

- Camera Tool Source Code in C#
- Capture & Display



USA Office
48820 Kato Rd, Suite 100B, Fremont, CA 95035, USA
Phone: +1-408-263-0988
Fax: +1-408-217-1960
Email: sales@leopardimaging.com
Website: www.leopardimaging.com

Shanghai Office (China)

上海市闵行区宜山路 1618 号新意城 A 座 9 楼 A910, 201103
Phone: + 86-139-1857-8492
王斌(Robin Wang)
Email: robinw@leopardimaging.com

Revision History

Revision	Description	Release Date
1.0	First Release	7. Aug. 2019
1.1	Upgrade GW5200 to GW5400	24. Dec. 2020
1.2	Change CAR-53 lens to CAR-55	30. Mar. 2021



USA Office
48820 Kato Rd, Suite 100B, Fremont, CA 95035, USA
Phone: +1-408-263-0988
Fax: +1-408-217-1960
Email: sales@leopardimaging.com
Website: www.leopardimaging.com

Shanghai Office (China)

上海市闵行区宜山路 1618 号新意城 A 座 9 楼 A910, 201103
Phone: + 86-139-1857-8492
王斌(Robin Wang)
Email: robinw@leopardimaging.com