



LEOPARD IMAGING INC

LI-IMX412-MIPI-CS

Data Sheet

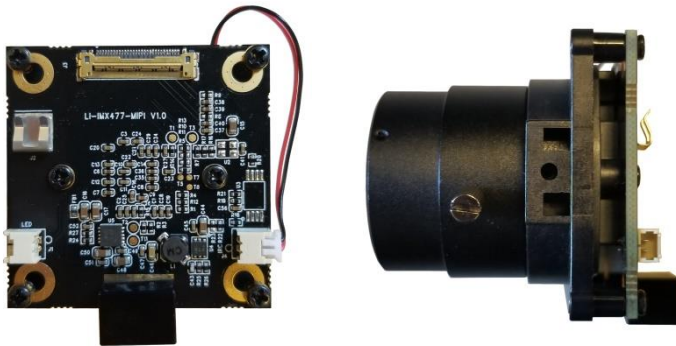
Key Features

- Sony Diagonal 7.857 mm (Type 1/2.3) CMOS Image Sensor IMX412
- Active pixels: 4056 (H) x 3040 (V)
- Pixel size: 1.55 x 1.55 μm
- Color sensor
- Interface: MIPI output
- Supports CS lens
- Module size: 38 x 38 mm
- Weight: ~ 56 g
- Part#: **LI-IMX412-MIPI-CS**

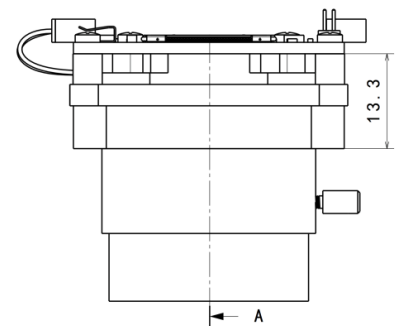
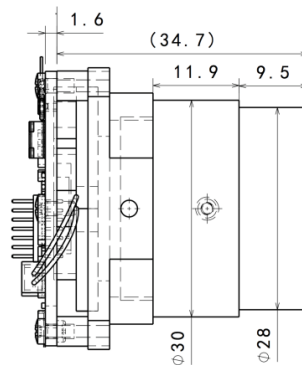
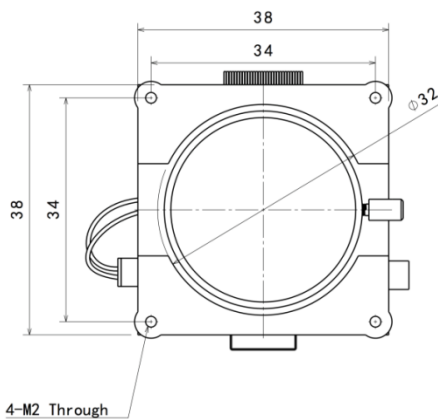


Lens Spec

- Model: ES0522F.IR
- Focal Length: 5.0 mm
- Aperture, F/#: 2.2
- Built in 650 nm IR cut filter
- FOV (H): 73°
- TV Distortion: < -8%
- Mount Type: CS



Dimensions



Leopard Imaging Inc.

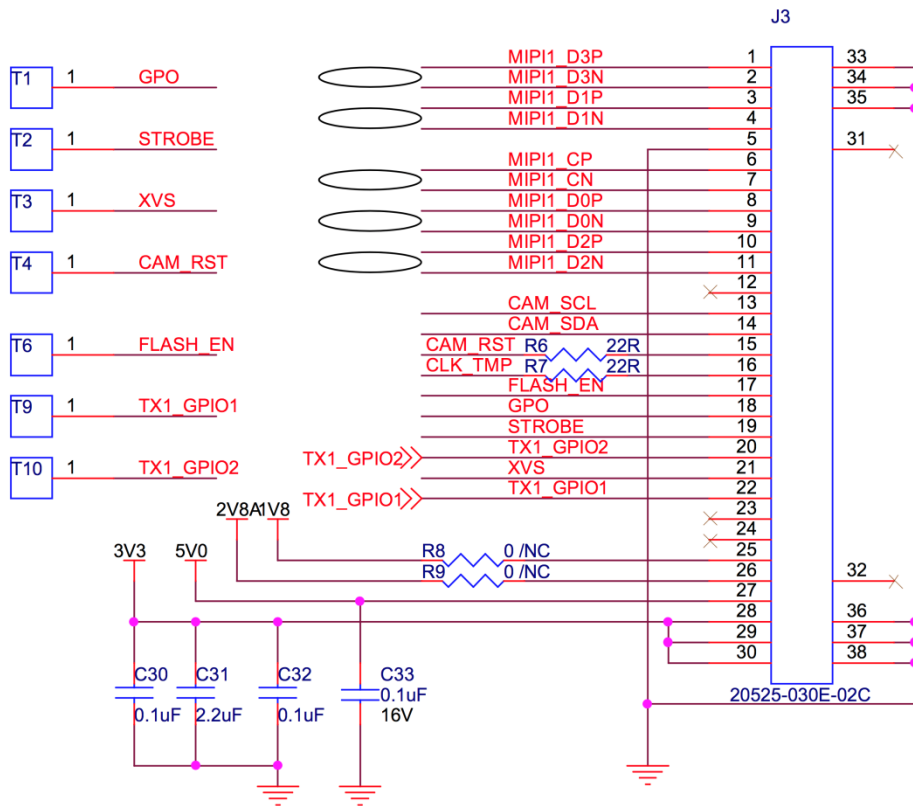
48820 Kato Rd, Suite 100B, Fremont, CA 94538, USA
Phone: +1-408-263-0988
Fax: +1-408-217-1960
Email: sales@leopardimaging.com
Website: www.leopardimaging.com

Interfaces

Interfaces

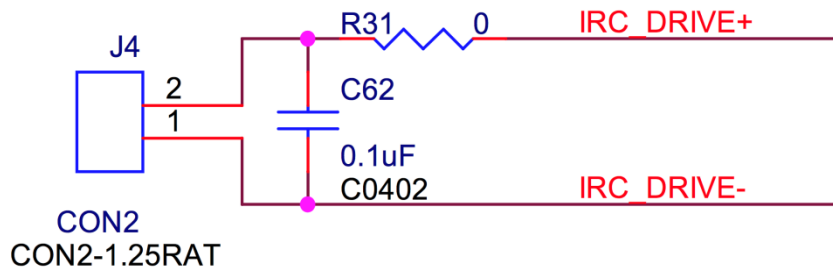
Interface J3:

- Part#: 20525-030E-02C
- Number of Positions: 30
- Pitch: 0.4 mm
- Mating I-PEX cable: LI-FAW-1233



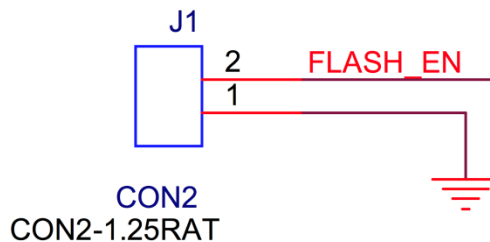
Interface J4:

- Part#: 1734829-2
- Number of Positions: 2
- Pitch: 1.25 mm



Interface J1:

- Part#: 1734829-2
- Number of Positions: 2
- Pitch: 1.25 mm



Leopard Imaging Inc.

48820 Kato Rd, Suite 100B, Fremont, CA 94538, USA
 Phone: +1-408-263-0988
 Fax: +1-408-217-1960
 Email: sales@leopardimaging.com
 Website: www.leopardimaging.com

Revision History

Revision	Description	Release Date
1.0	First release.	20. Sep. 2018
1.1	Deleted info quoted from sensor spec.	27. May. 2022



Leopard Imaging Inc.

48820 Kato Rd, Suite 100B, Fremont, CA 94538, USA
Phone: +1-408-263-0988
Fax: +1-408-217-1960
Email: sales@leopardimaging.com
Website: www.leopardimaging.com