



LI-IMX390-GMSL2-xxxH



Address:

910 Auburn Ct
Fremont, CA 94538
USA



Phone:

+1 (408)263-0988

Fax:

+1 (408)217-1960



Sales:

sales@leopardimaging.com

Support:

support@leopardimaging.com

INTRODUCTION

The LI-IMX390-GMSL2-xxxH is equipped with Sony automotive sensor IMX390 and Maxim GMSL2 serializer MAX9295A/B and is designed for automotive applications. This camera outputs 12-bit / 20-bit RAW data.

KEY FEATURES

Sensor	Sony Diagonal 6.67 mm (Type 1/2.7) CMOS Image Sensor IMX390
Optical Format	1/2.7"
Resolution	1937 (H) x 1217 (V) (active pixels)
Pixel Size	3.0 x 3.0 μm
Data Format	20-bit / 12-bit RAW data
Color / Mono	Color sensor
Maximum Frame Rate	60 fps @ 1937 x 1217
HDR (High Dynamic Range)	Supported
LFM (LED Flicker Mitigation)	Supported
Lens	FOV H 60° / 120° / 200°
Serializer	Maxim MAX9295A/B
Power Supply Range	9 ~ 19 VDC
Connector	FAKRA Z TYPE
IP Rating	060H / 120H: IP67 200H: TBD
Power Consumption	Approx. 122 mA @ 12 VDC (1936 x 1100 @ 35 fps)
Operating Temp	-40°C ~ +85°C
Storage Temp	-40°C ~ +85°C
Weight	~ 45 g
Part#	LI-IMX390-GMSL2-xxxH

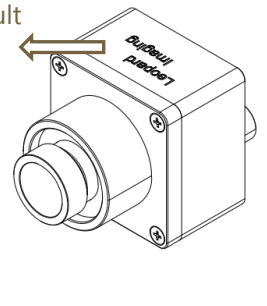
APPLICATIONS

- Automotive ADAS
- 1080p Video Applications

DEFAULT IMAGING DIRECTION

- The logo "Leopard Imaging" is on the TOP.

Top (Default Imaging Direction)

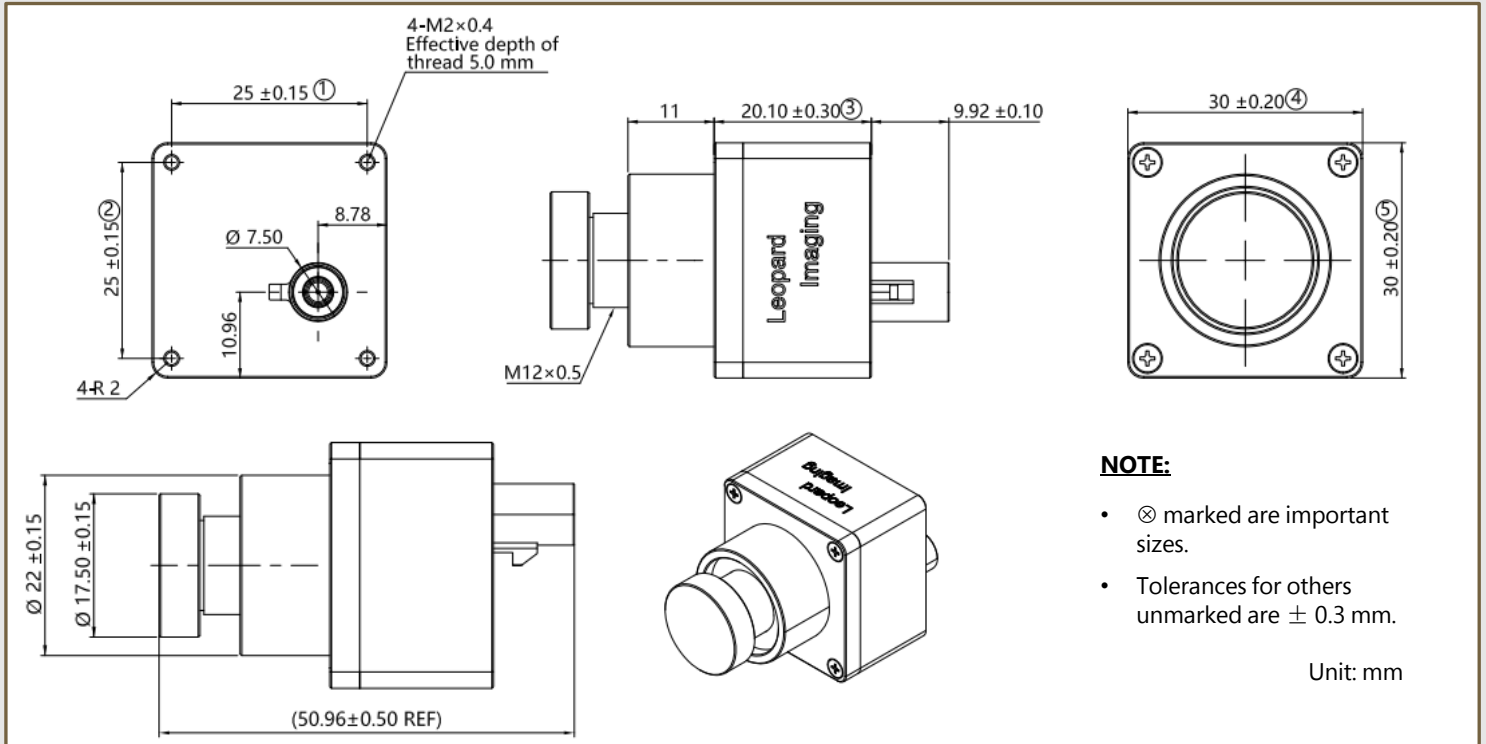


CABLE CONNECTOR

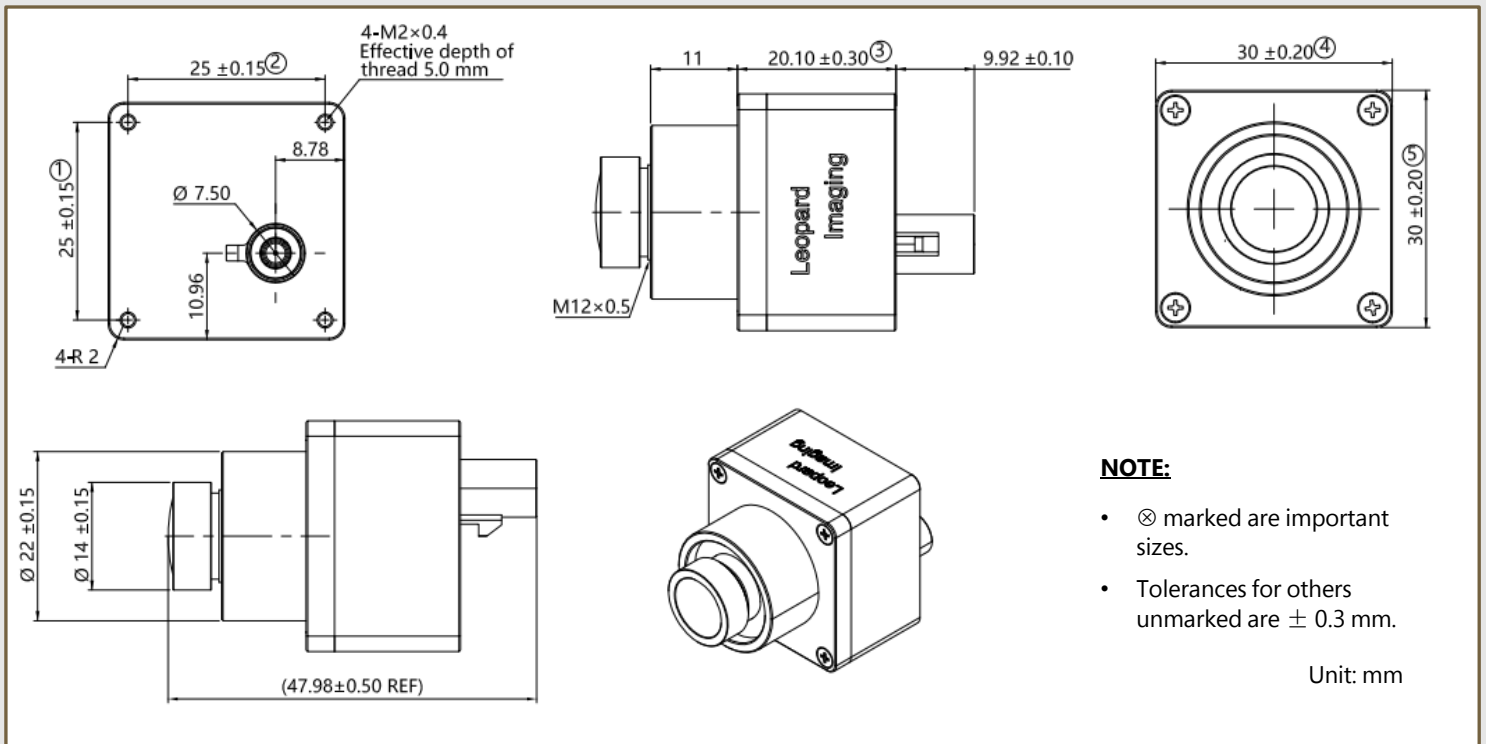
- Housing Connector: FAKRA Z Type
- Cable Length: 3 meters
- Cable Part#: FAK-SMZSMZ-3M



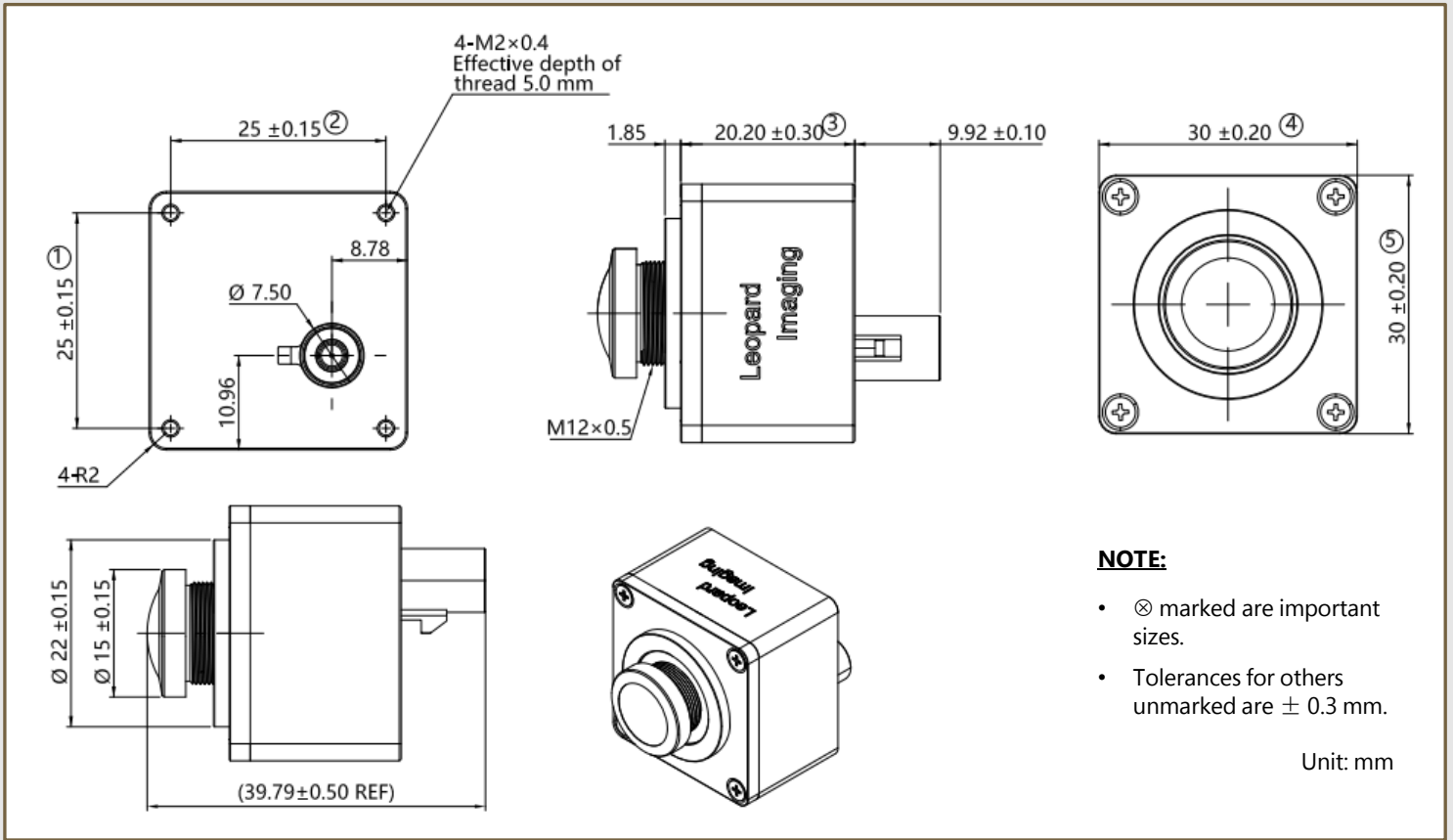
DIMENSIONS: LI-IMX390-GMSL2-060H



DIMENSIONS: LI-IMX390-GMSL2-120H



DIMENSIONS: LI-IMX390-GMSL2-200H



ORDERING INFORMATION

xxxH refers to 060H (FOV H 60°), 120H (FOV H 120°), 200H (FOV H 200°)

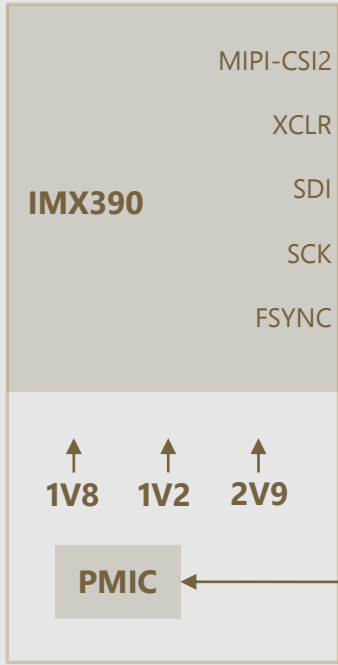
LI-IMX390-GMSL2-060H

Lens EFL: 6.0 mm
Field of View (FOV): 74.5° (D) / 60.6° (H) / 36.1° (V)
Mount: M12
IP Rating: IP67

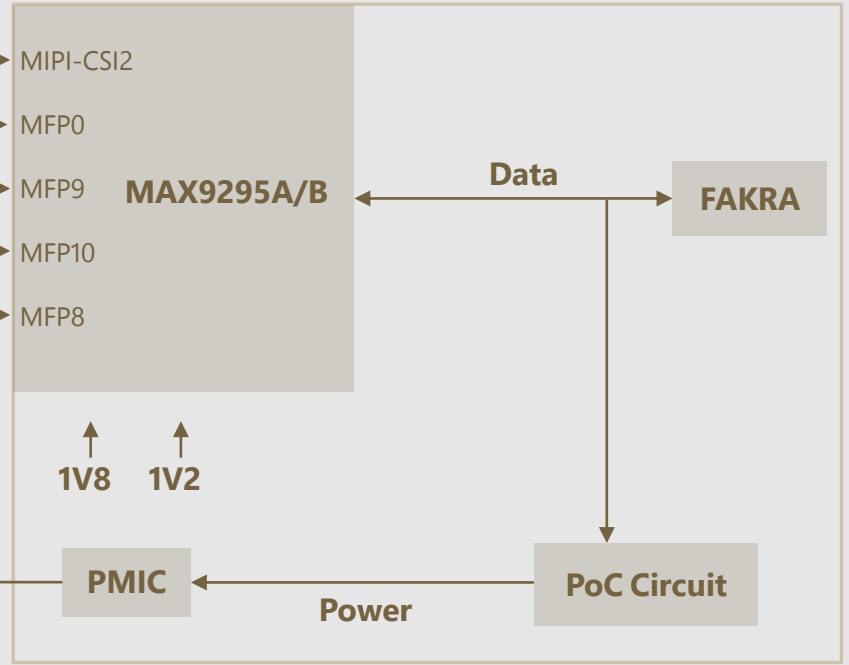
LI-IMX390-GMSL2-120H	LI-IMX390-GMSL2-200H
	
Lens EFL: 2.8 mm	Lens EFL: 0.95 mm \pm 5%
Field of View (FOV): 148° (D) / 122° (H) / 74° (V)	Field of View (FOV): 200° (H)
Mount: M12	Mount: M12
IP Rating: IP67	IP Rating: IP69K

PINOUT CONNECTIONS

(I2C: 0x42 8-bit)

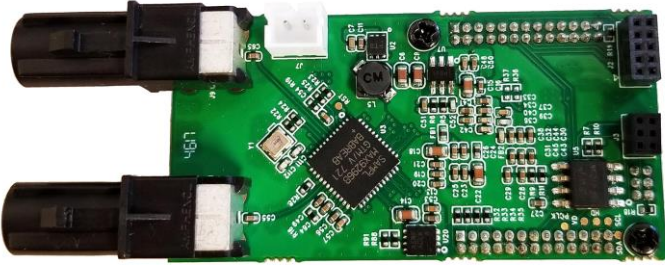


(I2C: 0xC4 8-bit)

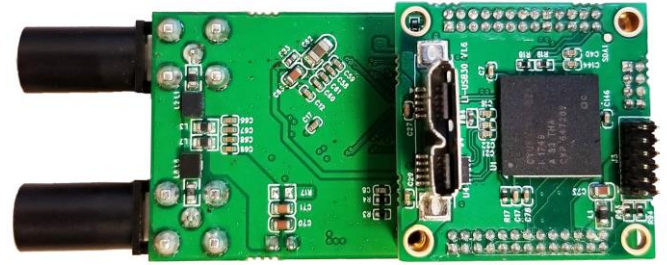


USB3.0 CAMERA KIT

LI-GMSL2-USB



Top View



Bottom View

LI-IMX390-GMSL2-xxxH can connect to LI-GMSL2-USB as a USB 3.0 camera.

Part#: **LI-USB30-IMX390-GMSL2-xxxH**

SPECIFICATIONS

- USB 3.0 Super Speed support
- RAW data output without compression
- UVC compliant
- Allows customization
- 12 VDC power supply for camera
- Weight: ~ 200 g
- Single Coax Cable transmits up to 12 meters PoC (Power over Cable)
- Resolution: 1936 x 1100 @ 35 fps
- Power consumption: Approx. 122 mA @ 12 VDC
- Compatible with Windows, Linux OS and other OS which have UVC drivers

BOM

#	Items	QTY
1	LI-IMX390-GMSL2-xxxH	1
2	LI-GMSL2-USB	1
3	3-Meter Fakra Cable	1
4	12 VDC Power Supply	1
5	USB3.0 Cable	1



SDK SUPPORTED

- Camera Tool Source Code in C#
- Capture & Display
- Register Access Function
- Save file as BMP & RAW format

● REVISION HISTORY

Revision	Description	Release Date
1.0	First release.	11 Jan 2018
1.1	Update spec information.	17 Jun 2018
1.2	Replaced 200H lens F13B0108WM12R1 with E7393E-R8 and updated storage temp info.	08 Sep 2022
1.3	Replaced 3D images of 200H lens with actual product pictures.	20 Mar 2023

910 Auburn Ct, Fremont, CA 94538, USA

Phone: +1-408-263-0988

Fax: +1-408-217-1960

Email: sales@leopardimaging.com

Website: www.leopardimaging.com

