



LEOPARD IMAGING INC

Rev. 1.1

# LI-IMX385-MIPI-M12 Data Sheet

## Key Features

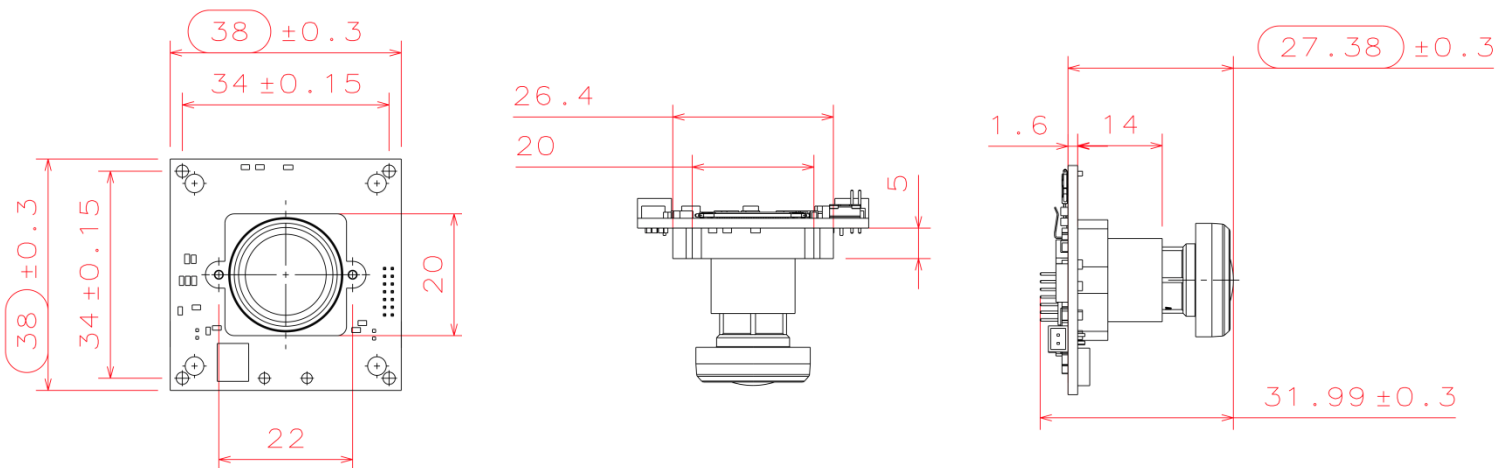
- Sony Diagonal 8.35 mm Type 1/2 CMOS Image Sensor IMX385LQR
- Active pixels: 1937 (H) x 1097 (V)
- Pixel size: 3.75 x 3.75  $\mu\text{m}$
- Color sensor
- Interface: MIPI output
- Supports M12 lens
- Module size: 38 x 38 mm
- Weight: ~ 12 g
- Part#: **LI-IMX385-MIPI-M12**



## Lens Spec

- Model: SYD1201A
- Focal Length: 3.7 mm
- Aperture, F/#: 2.8 +/- 5%
- Built in 650 nm IR cut filter
- FOV (D / H / V): 102° / 92° / 60°
- TV Distortion: -1.0 %
- Mount: M12 x P0.5

## Dimensions



Leopard Imaging Inc.

48820 Kato Rd, Suite 100B, Fremont, CA 94538, USA  
 Phone: +1-408-263-0988  
 Fax: +1-408-217-1960  
 Email: sales@leopardimaging.com  
 Website: www.leopardimaging.com

# Interfaces

Interfaces	
<p><b>Interface J4:</b></p> <ul style="list-style-type: none"> <li>Part#: 20525-030E-02C</li> <li>Number of Positions: 30</li> <li>Pitch: 0.4 mm</li> <li>Mating I-PEX cable: FAW-1233-03 (300 mm)</li> </ul>	
<p><b>Interface J3:</b></p> <ul style="list-style-type: none"> <li>Part#: 1734829-2</li> <li>Number of Positions: 2</li> <li>Pitch: 1.25 mm</li> </ul>	
<p><b>Interface J6:</b></p> <ul style="list-style-type: none"> <li>Part#: 1734829-2</li> <li>Number of Positions: 2</li> <li>Pitch: 1.25 mm</li> </ul>	



## Revision History

Revision	Description	Release Date
1.0	First release.	20. Oct. 2018
1.1	Deleted info quoted from sensor spec.	27. May. 2022



Leopard Imaging Inc.

48820 Kato Rd, Suite 100B, Fremont, CA 94538, USA  
Phone: +1-408-263-0988  
Fax: +1-408-217-1960  
Email: [sales@leopardimaging.com](mailto:sales@leopardimaging.com)  
Website: [www.leopardimaging.com](http://www.leopardimaging.com)