



LEOPARD IMAGING INC

Rev. 1.1

# LI-IMX335-MIPI-M12

## Data Sheet

### Key Features

- Sony Diagonal 6.52 mm (Type 1/2.8) 5MP CMOS Image Sensor IMX335
- Active pixels: 2608 (H) x 1960 (V)
- Pixel size: 2.0 x 2.0  $\mu\text{m}$
- Color sensor
- Interface: MIPI output
- Supports M12 lens
- Module size: 38 x 38 mm
- Weight: ~ 12 g
- Part#: **LI-IMX335-MIPI-M12**

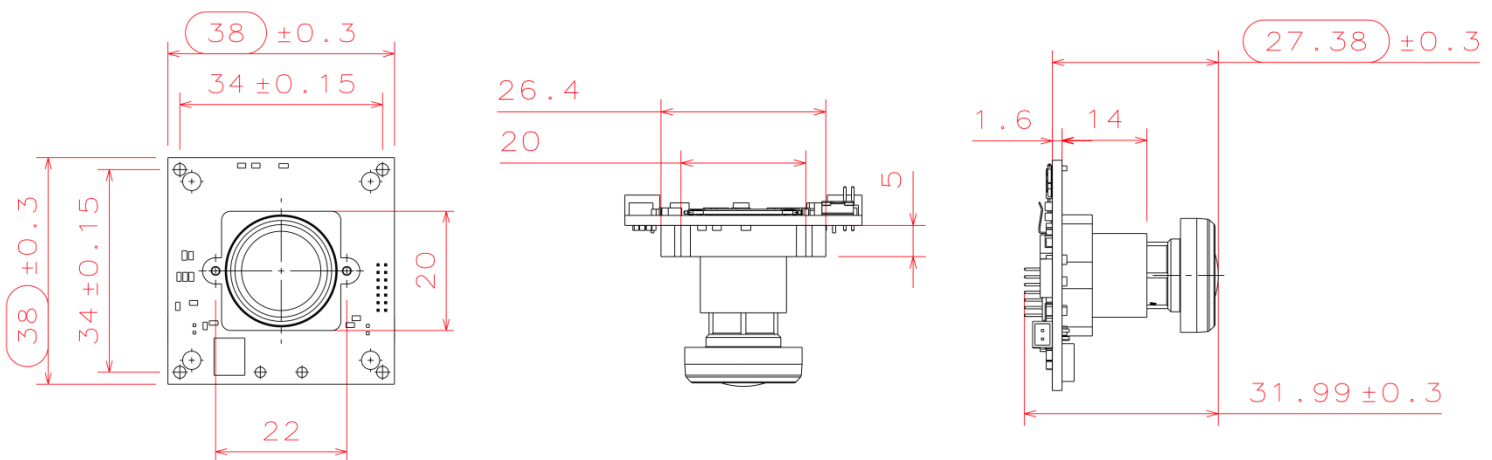


### Lens Spec

- Model: SYD1201A
- Focal Length: 3.7 mm
- Aperture, F/#: 2.8 +/- 5%
- Built in 650 nm IR cut filter
- FOV (D / H / V): 87° / 73.5° / 58.5°
- TV Distortion: -1.0 %
- Mount: M12 x P0.5



### Dimensions



Leopard Imaging Inc.

1130 Cadillac Ct., Milpitas, CA 95035, USA  
Phone: +1-408-263-0988  
Fax: +1-408-217-1960  
Email: sales@leopardimaging.com  
Website: www.leopardimaging.com

# Interfaces

Interfaces	
<p><b>Interface J4:</b></p> <ul style="list-style-type: none"> <li>Part#: 20525-030E-02C</li> <li>Number of Positions: 30</li> <li>Pitch: 0.4 mm</li> <li>Mating I-PEX cable: FAW-1233-xx</li> </ul>	
<p><b>Interface J3:</b></p> <ul style="list-style-type: none"> <li>Part#: 1734829-2</li> <li>Number of Positions: 2</li> <li>Pitch: 1.25 mm</li> </ul>	
<p><b>Interface J6:</b></p> <ul style="list-style-type: none"> <li>Part#: 1734829-2</li> <li>Number of Positions: 2</li> <li>Pitch: 1.25 mm</li> </ul>	



## Revision History

Revision	Description	Release Date
1.0	First release.	20. Sep. 2018
1.1	Deleted info quoted from sensor spec.	27. May. 2022



Leopard Imaging Inc.

1130 Cadillac Ct., Milpitas, CA 95035, USA  
Phone: +1-408-263-0988  
Fax: +1-408-217-1960  
Email: [sales@leopardimaging.com](mailto:sales@leopardimaging.com)  
Website: [www.leopardimaging.com](http://www.leopardimaging.com)