



LEOPARD IMAGING INC

Rev. 1.1

## Key Features

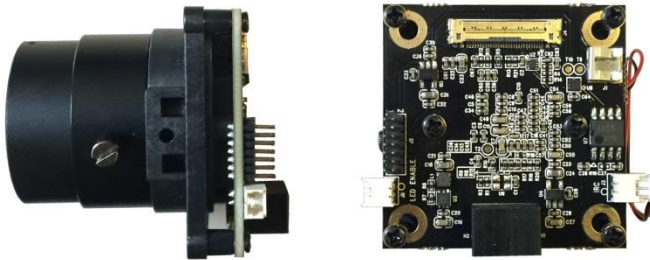
- Sony Diagonal 6.52 mm (Type 1/2.8) 5MP CMOS Image Sensor IMX335
- Active pixels: 2608 (H) x 1960 (V)
- Pixel size: 2.0 x 2.0  $\mu\text{m}$
- Color sensor
- Interface: MIPI output
- Supports CS lens
- Module size: 38 x 38 mm
- Weight: ~ 54 g
- Part#: **LI-IMX335-MIPI-CS**

# LI-IMX335-MIPI-CS Data Sheet

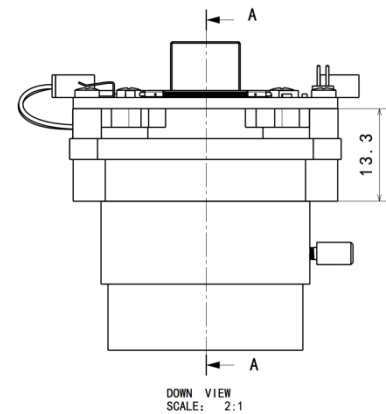
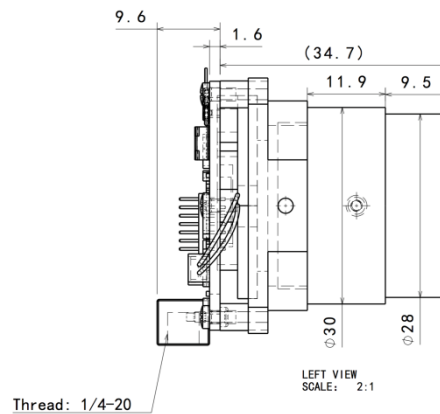
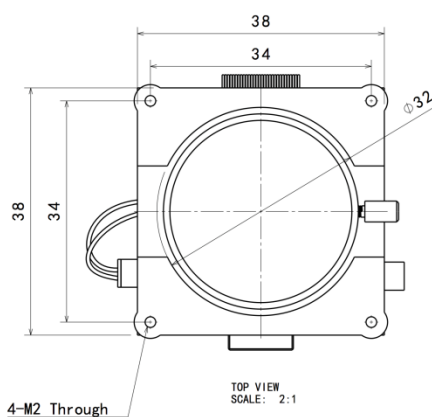


## Lens Spec

- Model: ES0522F.IR
- Focal Length: 5.0 mm
- Aperture, F/#: 2.2
- Built in 650 nm IR cut filter
- FOV (D / H / V): 81° / 65.5° / 49.5°
- TV Distortion: < -8%
- Mount Type: CS



## Dimensions



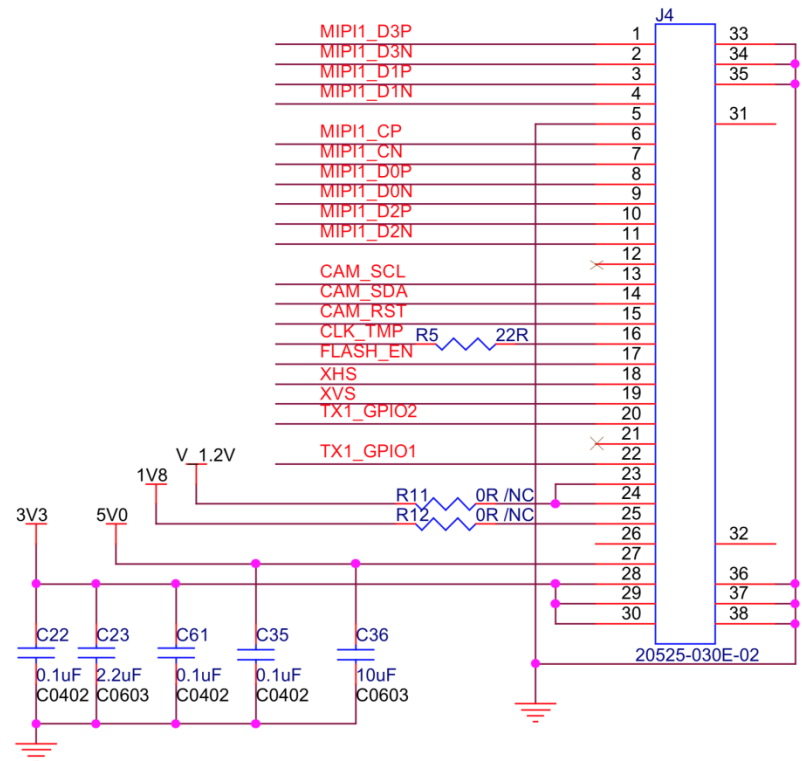
Leopard Imaging Inc.

1130 Cadillac Ct., Milpitas, CA 95035, USA  
Phone: +1-408-263-0988  
Fax: +1-408-217-1960  
Email: sales@leopardimaging.com  
Website: www.leopardimaging.com

# Interfaces

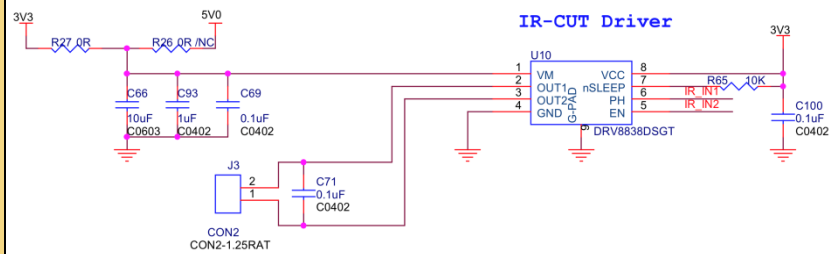
## Interface J4:

- Part#: 20525-030E-02C
- Number of Positions: 30
- Pitch: 0.4 mm
- Mating I-PEX cable: FAW-1233-xx



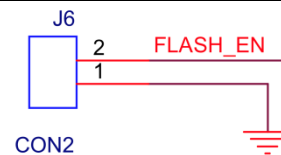
## Interface J3:

- Part#: 1734829-2
- Number of Positions: 2
- Pitch: 1.25 mm



## Interface J6:

- Part#: 1734829-2
- Number of Positions: 2
- Pitch: 1.25 mm



## Revision History

Revision	Description	Release Date
1.0	First release.	20. Sep. 2018
1.1	Deleted info quoted from sensor spec.	26. May. 2022

