



LEOPARD IMAGING INC

Rev. 1.1

LI-IMX334-MIPI-M12

Data Sheet

Key Features

- Diagonal 8.86 mm (Type 1/1.8) CMOS Image Sensor IMX334
- Active pixels: 3864 (H) x 2176 (V)
- Pixel size: 2.0 x 2.0 μm
- Color sensor
- Interface: MIPI output
- Supports M12 lens
- Module size: 38 x 38 mm
- Weight: ~ 12 g
- Part#: **LI-IMX334-MIPI-M12**

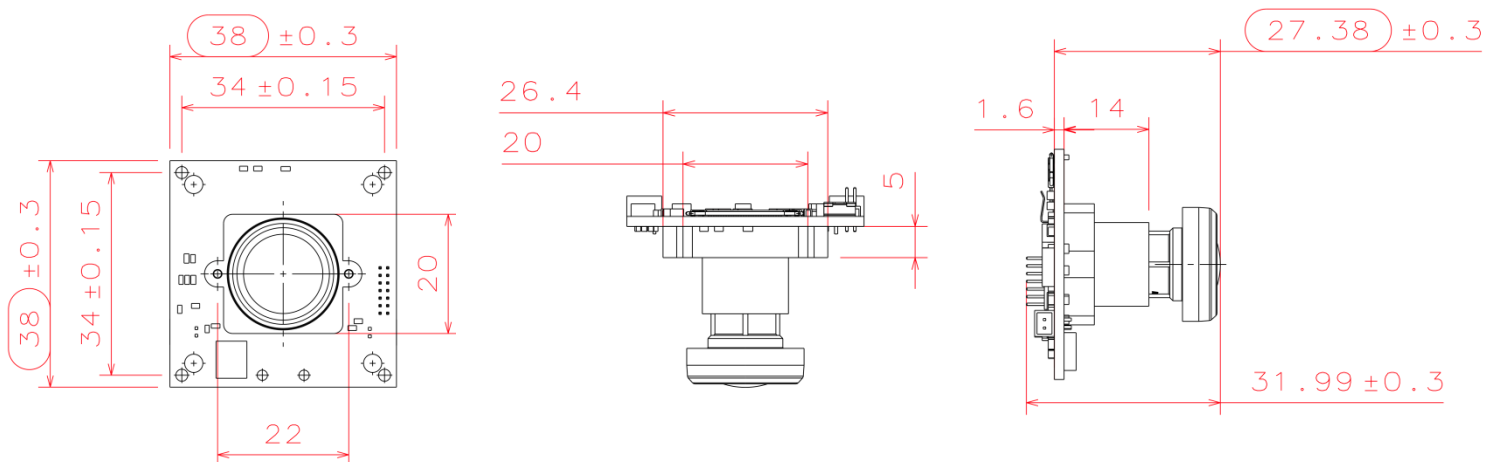


Lens Spec

- Model: SYD1201A
- Focal Length: 3.7 mm
- Aperture, F/#: 2.8 +/- 5%
- Built in 650 nm IR cut filter
- FOV (D / H / V): 107° / 98° / 64°
- TV Distortion: -1.0 %
- Mount: M12 x P0.5



Dimensions



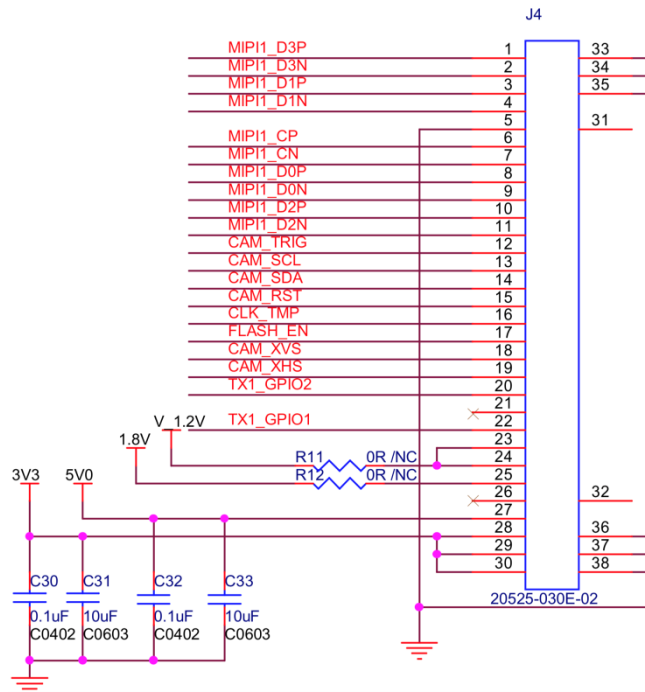
Leopard Imaging Inc.

1130 Cadillac Ct., Milpitas, CA 95035, USA
Phone: +1-408-263-0988
Fax: +1-408-217-1960
Email: sales@leopardimaging.com
Website: www.leopardimaging.com

Interfaces

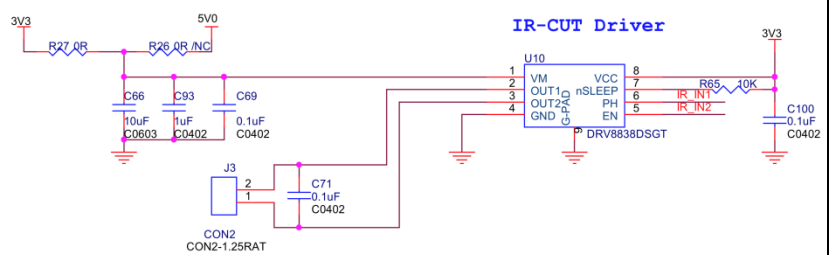
Interface J4:

- Part#: 20525-030E-02C
- Number of Positions: 30
- Pitch: 0.4 mm
- Mating I-PEX cable: FAW-1233



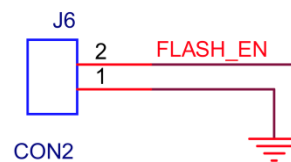
Interface J3:

- Part#: 1734829-2
- Number of Positions: 2
- Pitch: 1.25 mm



Interface J6:

- Part#: 1734829-2
- Number of Positions: 2
- Pitch: 1.25 mm



Revision History

Revision	Description	Release Date
1.0	First release.	20. Sep. 2018
1.1	Deleted info quoted from sensor spec.	26. May. 2022

