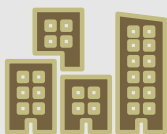




LI-IMX304-MIPI



Address:

48820 Kato Road
Suite 100B
Fremont, CA 94538
USA



Phone:

+1 (408)263-0988

Fax:

+1 (408)217-1960



Sales:

sales@leopardimaging.com

Support:

support@leopardimaging.com

INTRODUCTION

The LI-IMX304-MIPI is a global shutter camera with Sony 12.37MP, high sensitivity and low power consumption CMOS Image sensor IMX304 and 30-pin MIPI CSI-2 connector. This camera outputs 4112 x 3008 RAW data.

KEY FEATURES

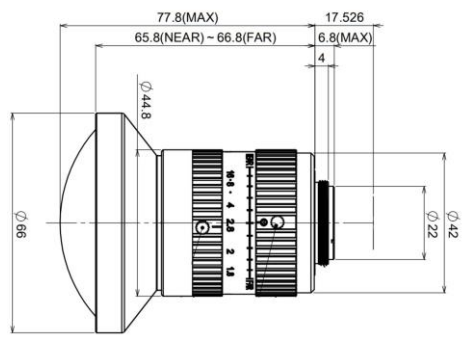
Sensor	Sony diagonal 17.6mm CMOS Image Sensor IMX304LQR
Optical format	1.1"
Resolution	4112 (H) x 3008 (V)
Pixel size	3.45 x 3.45 μ m
Data format	RAW data
Color / Mono	Color sensor
Shutter	Global shutter
Lens	ML-U0618SR-18C (Optional)
Interface	MIPI CSI-2
Connector	20525-030E-02
Power consumption	TBD
Lens mount	C-Mount
Operating Temp	-30 ~ +75°C
Storage Temp	-40 ~ +85°C
Weight (without lens)	~ 24 g
Size (without lens)	44 x 38 x 19.1 mm
Part#	LI-IMX304-MIPI

APPLICATIONS

- ITS cameras

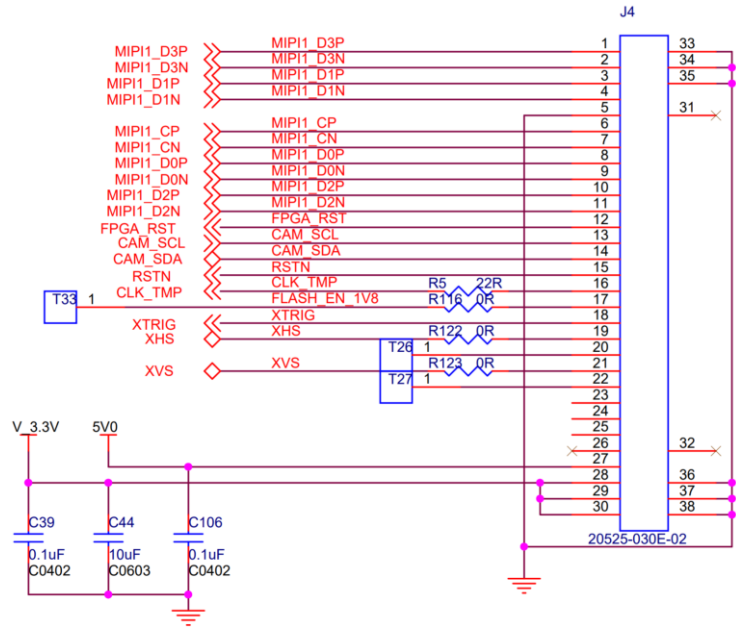
LENS SPECIFICATIONS (OPTIONAL)

Model	ML-U0618SR-18C
Focal length	6 mm
Aperture, F/#	1.8 ~ 16
FOV (H)	105°
TTL	95.3 mm
TV distortion	< 2.3%
Mount	C-Mount

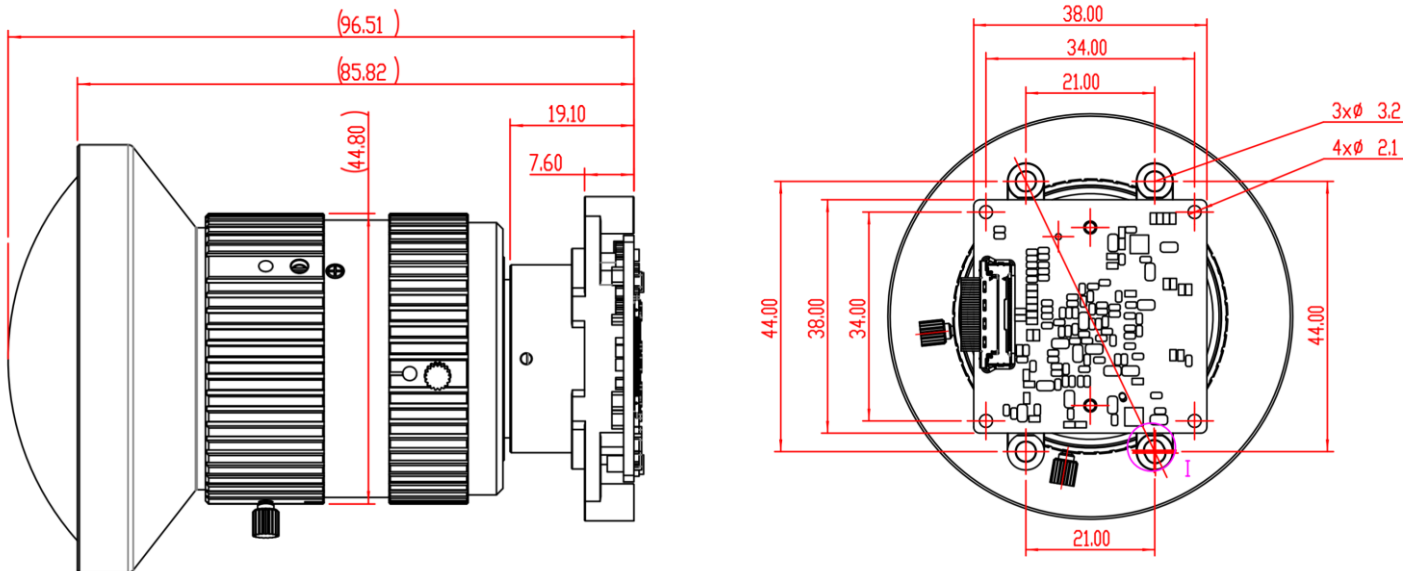


INTERFACE

- Connector Part#: 20525-030E-02
- Number of Positions: 30
- Pitch: 0.4 mm
- Mating I-PEX cable: FAW1233-03 (300 mm)
- FPGA included to convert LVDS to MIPI
- 37.125MHz Oscillator included to supply sensor input clock
- Sensor I2C address: 0x1A
- External power supply: 5V and 3.3V
- 3.3VA, 1.8V, 1.2V are generated from board



DIMENSIONS (WITH OPTIONAL LENS)



● REVISION HISTORY

Revision	Description	Release Date
1.0	First release.	20. Sep. 2020
1.1	Deleted info quoted from sensor spec.	26. May. 2022

48820 Kato Rd, Suite 100B, Fremont, CA 94538, USA

Phone: +1-408-263-0988

Fax: +1-408-217-1960

Email: sales@leopardimaging.com

Website: www.leopardimaging.com

