



LEOPARD IMAGING INC

LI-IMX296-MIPI-M12 Data Sheet

Key Features

- Sony Diagonal 6.3 mm (Type 1/2.9) CMOS Image Sensor IMX296
- Active pixels: 1456 (H) x 1088 (V)
- Pixel size: 3.45 x 3.45 μm
- Monochrome sensor
- Global shutter
- Interface: MIPI output
- Supports M12 lens
- Module size: 38 x 38 mm
- Weight: ~ 12 g
- Part#: **LI-IMX296-MIPI-M12**

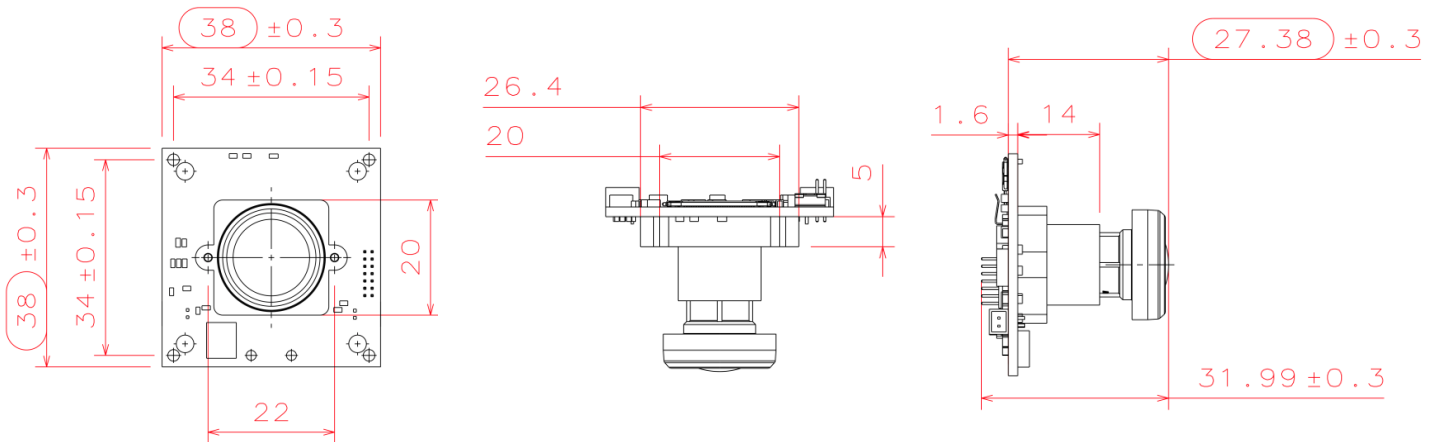


Lens Spec

- Model: SYD1201A
- Focal Length: 3.7 mm
- Aperture, F/#: 2.8 +/- 5%
- FOV (D / H / V): 82.4° / 69.5° / 54.3°
- TV Distortion: -1.0 %
- Mount: M12 x P0.5



Dimensions



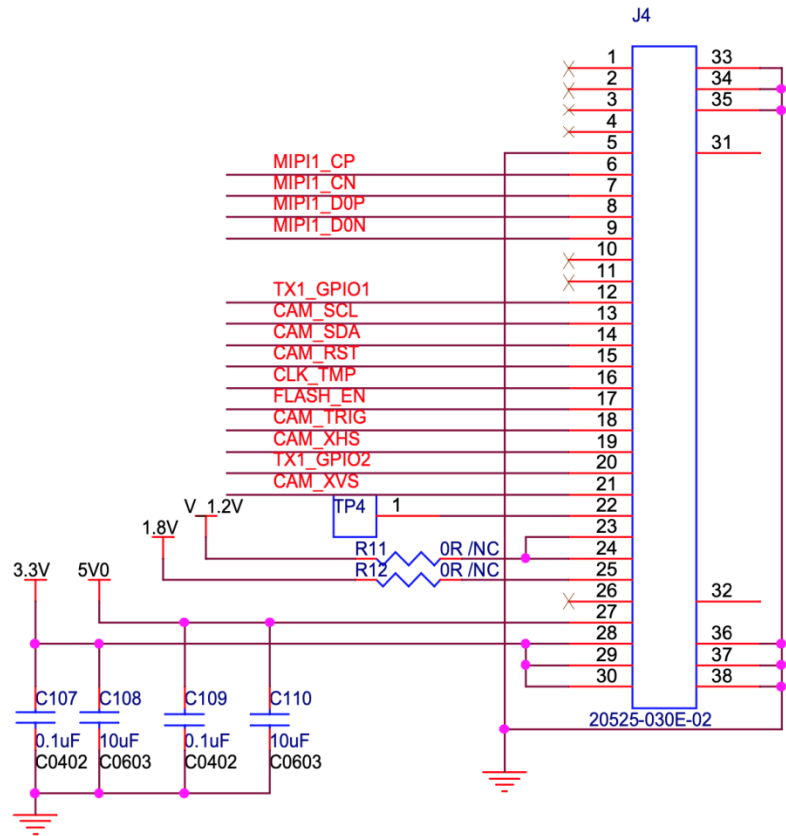
Leopard Imaging Inc.

48820 Kato Rd, Suite 100B, Fremont, CA 94538, USA
 Phone: +1-408-263-0988
 Fax: +1-408-217-1960
 Email: sales@leopardimaging.com
 Website: www.leopardimaging.com

Interfaces

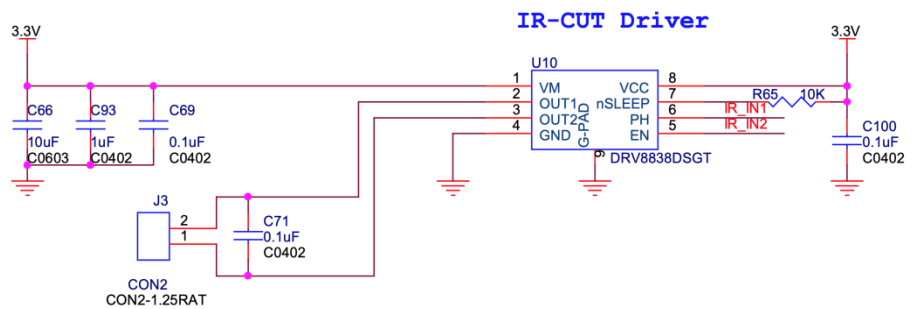
Interface J4:

- Part#: 20525-030E-02C
- Number of Positions: 30
- Pitch: 0.4 mm
- Mating I-PEX cable: LI-FAW-1233



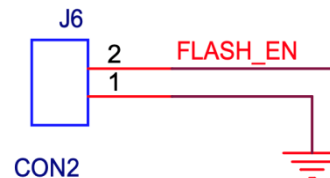
Interface J3:

- Part#: 1734829-2
- Number of Positions: 2
- Pitch: 1.25 mm



Interface J6:

- Part#: 1734829-2
- Number of Positions: 2
- Pitch: 1.25 mm



Revision History

Revision	Description	Release Date
1.0	First release.	12. Oct. 2019
1.1	Deleted info quoted from sensor spec.	26. May. 2022



Leopard Imaging Inc.

48820 Kato Rd, Suite 100B, Fremont, CA 94538, USA
Phone: +1-408-263-0988
Fax: +1-408-217-1960
Email: sales@leopardimaging.com
Website: www.leopardimaging.com