



LEOPARD IMAGING INC

Rev. 1.2

# LI-IMX265-MIPI-M12 Data Sheet

## Key Features

- Sony Diagonal 8.9 mm (Type 1/1.8) CMOS Image Sensor IMX265
- Active pixels: 2064 (H) x 1544 (V)
- Pixel size: 3.45 x 3.45  $\mu\text{m}$
- Color sensor
- Interface: MIPI output
- Supports M12 lens
- Global Shutter
- Weight: ~ 15 g
- Part#: **LI-IMX265-MIPI-M12**

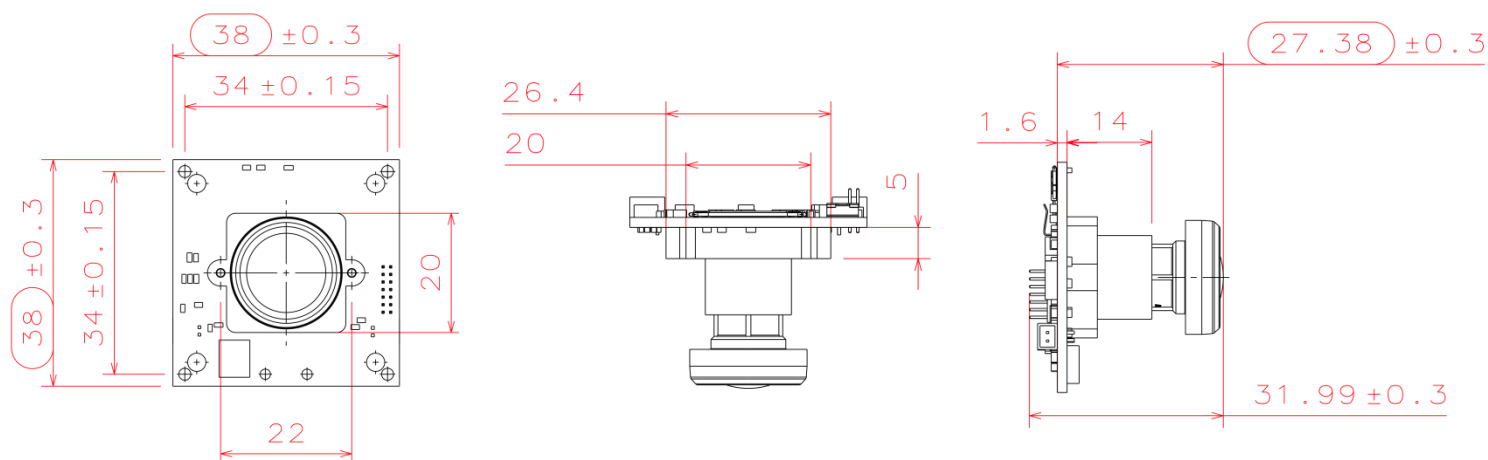


## Lens Spec

- Model: N118B05518W
- Focal Length: 5.5 mm
- Aperture, F/#: 1.8
- Built in 650 nm IR cut filter
- FOV (H): 64.5°
- TV Distortion: 2.2 %
- Mount: M12 x P0.5



## Dimensions



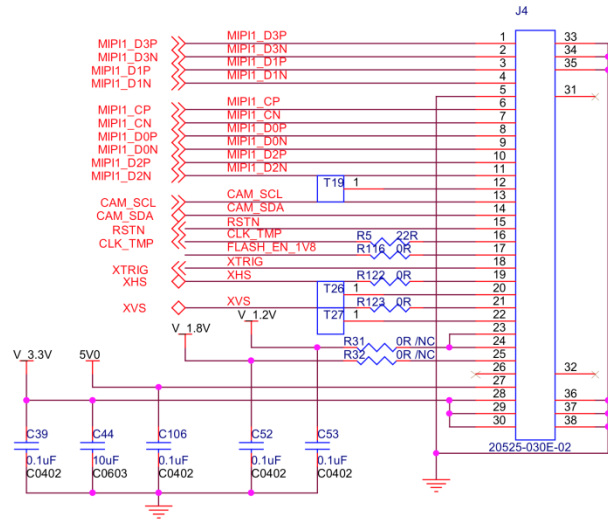
Leopard Imaging Inc.

48820 Kato Road, Suite 100B, Fremont, CA 94538, USA  
 Phone: +1-408-263-0988  
 Fax: +1-408-217-1960  
 Email: sales@leopardimaging.com  
 Website: www.leopardimaging.com

# Interfaces

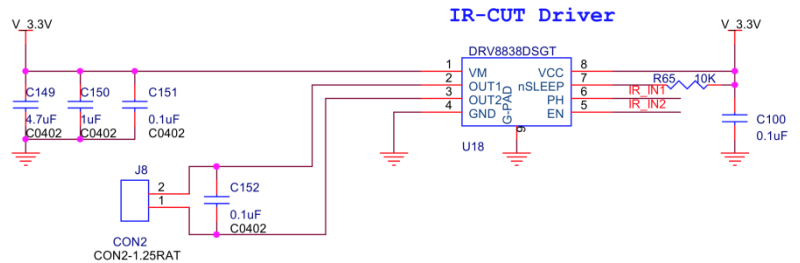
## Interface J4:

- Part#: 20525-030E-02C
- Number of Positions: 30
- Pitch: 0.4 mm
- Mating I-PEX cable: LI-FAW-1233-T1 (200 mm)



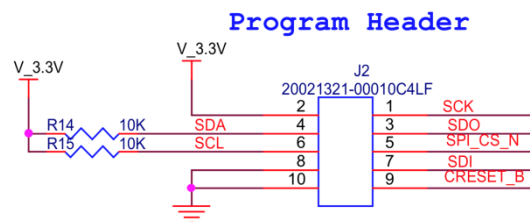
## Interface J8:

- Part#: 1734829-2
- Number of Positions: 2
- Pitch: 1.25 mm



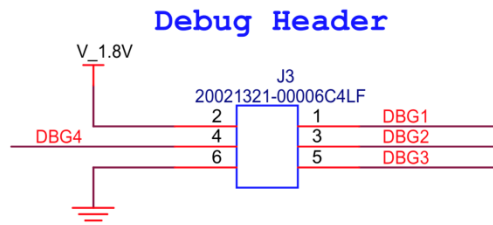
## Interface J2:

- Part#: 20021321-00010C4LF
- Number of Positions: 10
- Pitch: 1.27 mm



## Interface J3:

- Part#: 20021321-00006C4LF
- Number of Positions: 6
- Pitch: 1.27 mm



Leopard Imaging Inc.

48820 Kato Road, Suite 100B, Fremont, CA 94538, USA  
 Phone: +1-408-263-0988  
 Fax: +1-408-217-1960  
 Email: sales@leopardimaging.com  
 Website: www.leopardimaging.com

## Revision History

| Revision | Description                           | Release Date  |
|----------|---------------------------------------|---------------|
| 1.0      | First release                         | 20. Sep. 2018 |
| 1.1      | Added more specs.                     | 20. May. 2019 |
| 1.2      | Deleted info quoted from sensor spec. | 26. May. 2022 |

