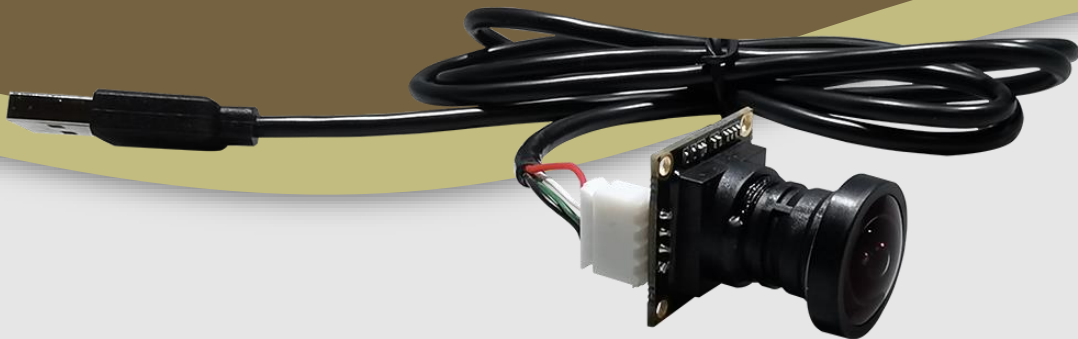




LI-IMX179-USB-130H-CONN



Address:

48820 Kato Road
Suite 100B
Fremont, CA 94538
USA



Phone:

+1 (408)263-0988

Fax:

+1 (408)217-1960



Sales:

sales@leopardimaging.com

Support:

support@leopardimaging.com

INTRODUCTION

The LI-IMX179-USB-130H-CONN is a USB camera with Sony CMOS image sensor IMX179 which achieves high sensitivity, low dark current, no smear and low power consumption. This camera outputs MJPEG data.

KEY FEATURES

| | |
|-------------------|--|
| Sensor | Sony CMOS Image Sensor IMX179 |
| Optical Format | 1/3.2" |
| Resolution | 3280 (H) x 2464 (V) (effective pixels) |
| Pixel Size | 1.4 x 1.4 μm |
| Output Format | MJPEG |
| Color / Mono | Color sensor |
| Shutter | Rolling shutter |
| Interface | USB 2.0 |
| Cable Length | ~ 100 cm |
| Power Consumption | 150 mA @ 5 VDC |
| Operating Temp | -20°C ~ +60°C |
| Storage Temp | -20°C ~ +60°C |
| Weight | ~ 28 g |
| Part# | LI-IMX179-USB-130H-CONN |

APPLICATIONS

- Robotics Cameras
- Industrial Cameras

LENS SPECIFICATIONS

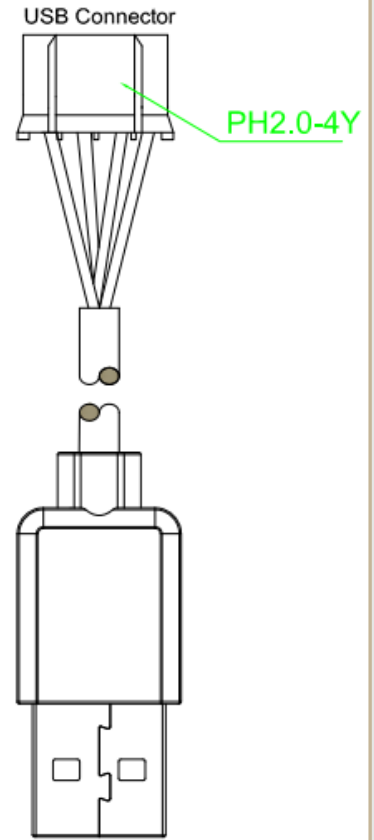
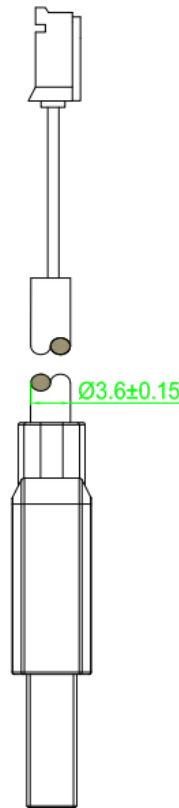
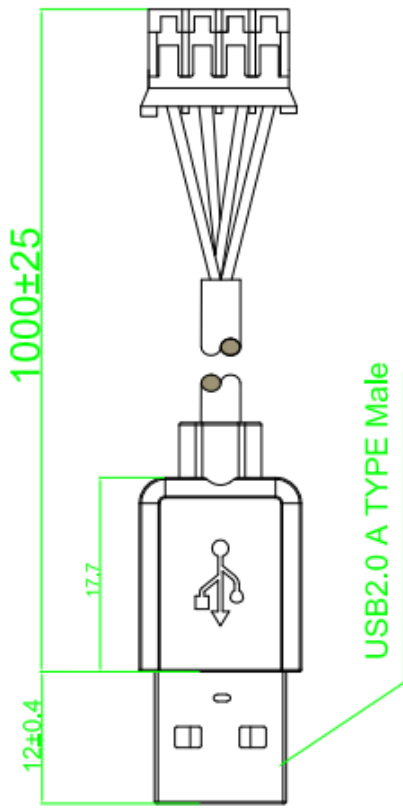
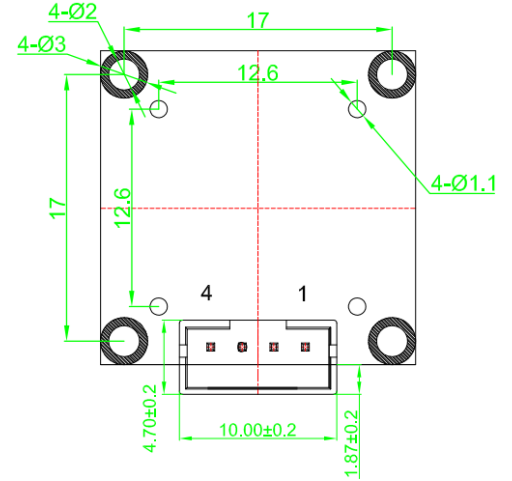
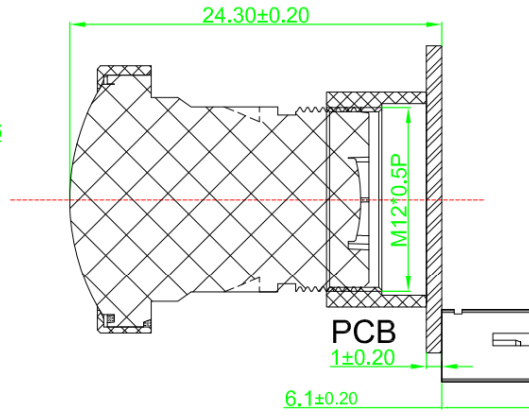
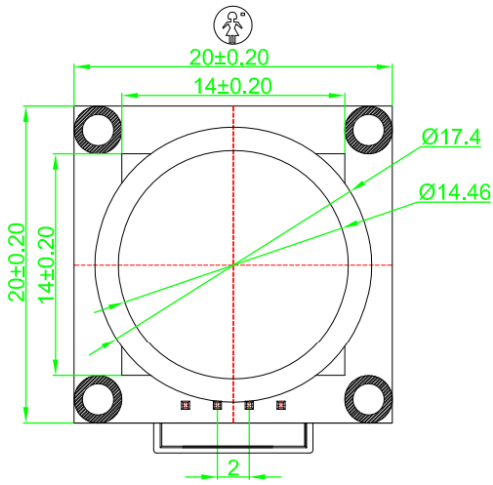
| | |
|---------------------|-------------------|
| Focusing Range | 50 cm to infinity |
| Focal Length | 2.05 mm |
| Aperture, F/# | 2.8 |
| Field of View (FOV) | 130° horizontal |
| TV Distortion | < -40% |
| Lens Mount | M12 x 0.5P |



● SPECIFICATION

| | | | | | | | | | | | | | | | |
|---|--|-----------|-------------------------|-----------|--------------|------------|--------------|-------------|--------------|-------------|--------------|-------------|--------------|-------------|--------------|
| Video Resolution, Format and Frame Rate | <table><tbody><tr><td>320 x 240</td><td>MJPG @ 25 fps (Default)</td></tr><tr><td>640 x 480</td><td>MJPG @ 25fps</td></tr><tr><td>1280 x 720</td><td>MJPG @ 25fps</td></tr><tr><td>1920 x 1080</td><td>MJPG @ 25fps</td></tr><tr><td>2048 x 1536</td><td>MJPG @ 15fps</td></tr><tr><td>2592 x 1944</td><td>MJPG @ 15fps</td></tr><tr><td>3264 x 2448</td><td>MJPG @ 15fps</td></tr></tbody></table> | 320 x 240 | MJPG @ 25 fps (Default) | 640 x 480 | MJPG @ 25fps | 1280 x 720 | MJPG @ 25fps | 1920 x 1080 | MJPG @ 25fps | 2048 x 1536 | MJPG @ 15fps | 2592 x 1944 | MJPG @ 15fps | 3264 x 2448 | MJPG @ 15fps |
| 320 x 240 | MJPG @ 25 fps (Default) | | | | | | | | | | | | | | |
| 640 x 480 | MJPG @ 25fps | | | | | | | | | | | | | | |
| 1280 x 720 | MJPG @ 25fps | | | | | | | | | | | | | | |
| 1920 x 1080 | MJPG @ 25fps | | | | | | | | | | | | | | |
| 2048 x 1536 | MJPG @ 15fps | | | | | | | | | | | | | | |
| 2592 x 1944 | MJPG @ 15fps | | | | | | | | | | | | | | |
| 3264 x 2448 | MJPG @ 15fps | | | | | | | | | | | | | | |
| Adjustment | <p>The following can be adjusted manually:</p> <ul style="list-style-type: none">● Brightness● Contrast● Hue● Saturation● Sharpness● Gamma● Backlight Comp● Gain | | | | | | | | | | | | | | |

DIMENSIONS



TOP VIEW

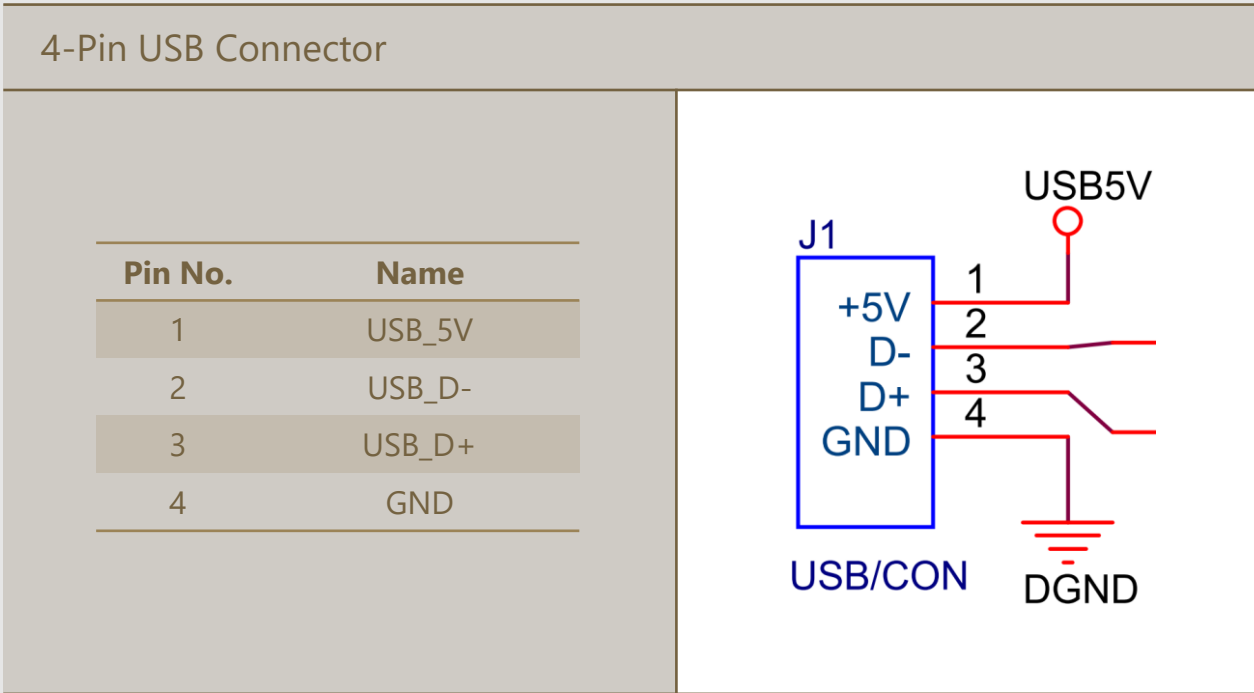
SIDE VIEW

BOTTOM VIEW

| # | Items | QTY | Description |
|---|-----------|-----|-------------------|
| 1 | PCB | 1 | |
| 2 | Lens | 1 | |
| 3 | Sensor | 1 | IMX179 |
| 4 | DSP | 1 | SN9C283M |
| 5 | Connector | 1 | 4P * 2.0 mm pitch |

Unit: mm

● INTERFACE J1



● REVISION HISTORY

| Revision | Description | Release Date |
|----------|----------------|--------------|
| 1.0 | First release. | 11 Feb 2022 |

48820 Kato Rd, Suite 100B, Fremont, CA 94538, USA
Phone: +1-408-263-0988
Fax: +1-408-217-1960
Email: sales@leopardimaging.com
Website: www.leopardimaging.com

