



LEOPARD IMAGING INC

LI-IMX172-MIPI

Data Sheet

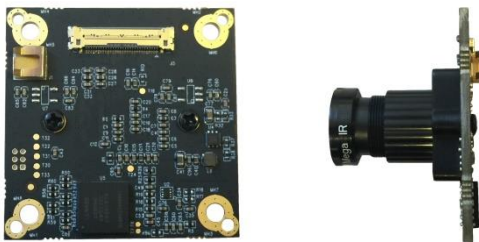
Key Features

- Sony Diagonal 7.81 mm (Type 1/2.3) CMOS Image Sensor IMX172
- Optical format: 1/2.3"
- Active pixels: 4168 (H) x 3062 (V)
- Pixel size: 1.55 x 1.55 μm
- Color camera
- Interface: MIPI output
- Supports M12 lens
- Module Size: 38 (L) x 38 (W) mm
- Weight: ~ 12 g
- Part#: **LI-IMX172-MIPI**

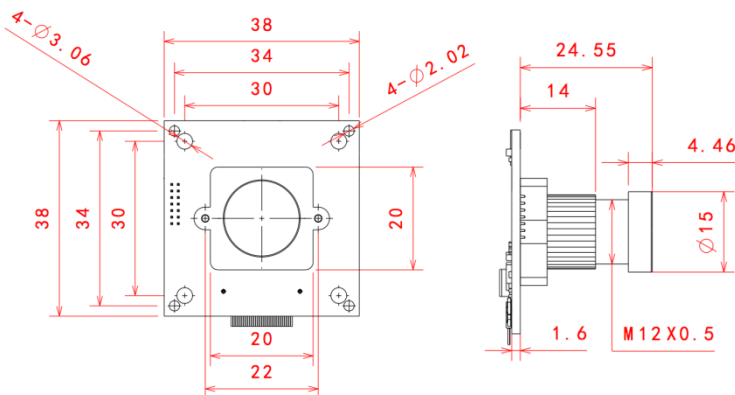


Lens Spec

- Model: YC-155N
- Focal Length: 2.8 mm
- Aperture, F/#: 2.0
- Built in 650 nm IR cut filter
- FOV (D / H / V): 120° / 107° / 64°
- TV Distortion: < 12%
- Mount: M12 x P0.5

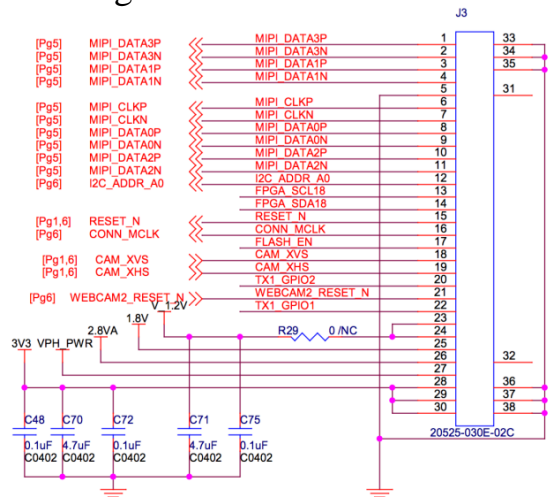


Dimensions



Interfaces

- Part#: 20525-030E-02C
- Number of Positions: 30
- Mating cable: LI-FAW-1233-T1



Leopard Imaging Inc.

1130 Cadillac Ct., Milpitas, CA 95035, USA
 Phone: +1-408-263-0988
 Fax: +1-408-217-1960
 Email: sales@leopardimaging.com
 Website: www.leopardimaging.com
 www.leopard-security.com

YC-155N 2M Fixed Focal Lens

RAYSOptics (YOUNG Optics Group)—is a professional designer and manufacturer of various lenses for different applications. We provide the best industrial grade Lens, either for consumer or professional surveillance solution market, such as IP Camera and CCTV Camera.

Product Features

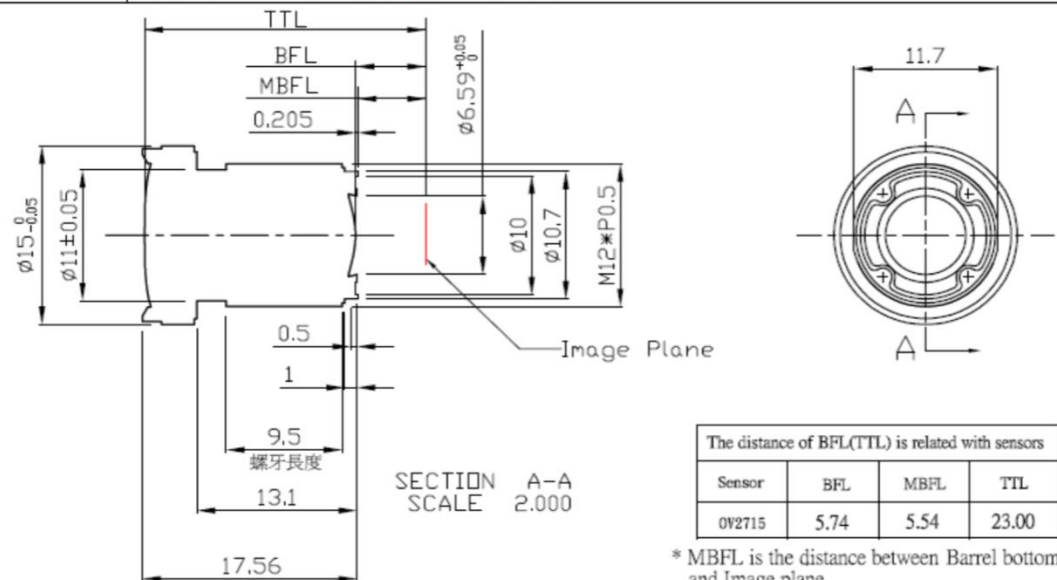
- ✓ Mega Board Fixed Lens
- ✓ 1/2.7" 2M CCD/CMOS sensor
- ✓ 2.8 mm Focal Length
- ✓ F/#2.0
- ✓ M12 Mount type



Product Specification

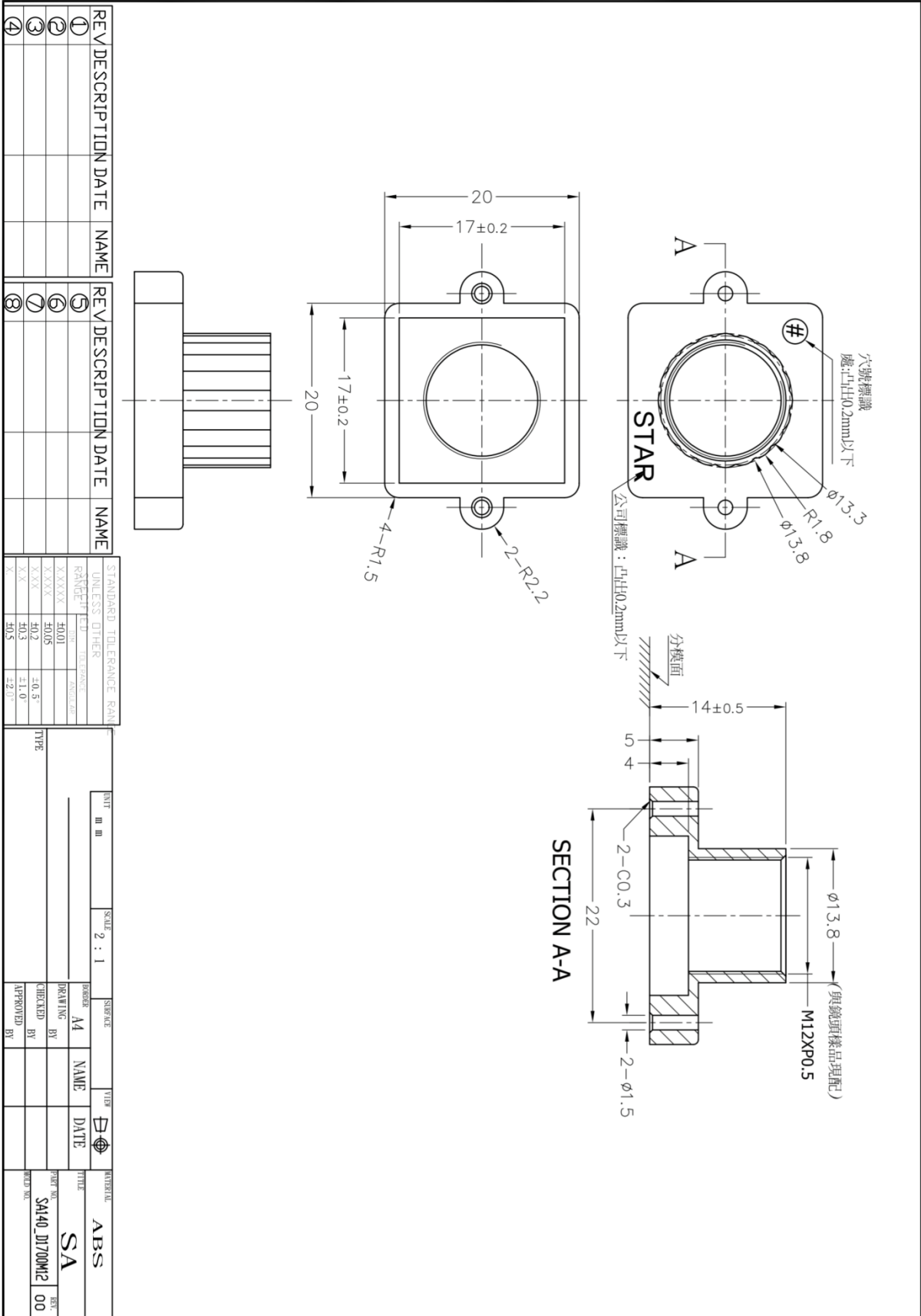
General Specification	
Image Diameter	Max Image Circle 6.71 mm
Sensor	1/2.7", 1/3"
Mount Type	M12
Optical Specification	
Focal Length	2.8mm
Max. Aperture Ratio	F/# 2.0
Field Of View	1/2.7" D:~120°; H:107°; V:64° (for image area: 5.856mm*3.276mm) 1/3" D:~109°; H:88°; V:72° (for image area: 4.766mm*3.779mm)
Maximum Chief Ray Angle	<10°
Optical Overall Length	22.85 mm (in air)
TV Distortion	<12%
Back Focal Length (BFL)	5.587mm (in air)
IR Corrective (Day & Night)	Yes
ROHS (Green Product)	Comply
Resolution	Center 200 line pairs/mm or more Ø4.5 125 line pairs/mm or more

YC-155N: Without IR-Filter



Leopard Imaging Inc.

1130 Cadillac Ct., Milpitas, CA 95035, USA
 Phone: +1-408-263-0988
 Fax: +1-408-217-1960
 Email: sales@leopardimaging.com
 Website: www.leopardimaging.com
 www.leopard-security.com



REV	DESCRIPTION	DATE	NAME	REV	DESCRIPTION	DATE	NAME
①				⑤			
②				⑥			
③				⑦			
④				⑧			

STANDARD TOLERANCE RANK		SCALE		SHEET		TITLE	
UNLESS OTHER	TYPE	2 : 1	A4	ABS	SA	00	
RA0.01	±0.01						
RA0.05	±0.05						
RA0.2	±0.2						
RA0.3	±1.0						
RA0.5	±2.0						



Revision History

Revision	Description	Release Date
1.0	First release	25. Dec. 2019
1.1	Deleted info quoted from sensor spec.	26. May. 2022

