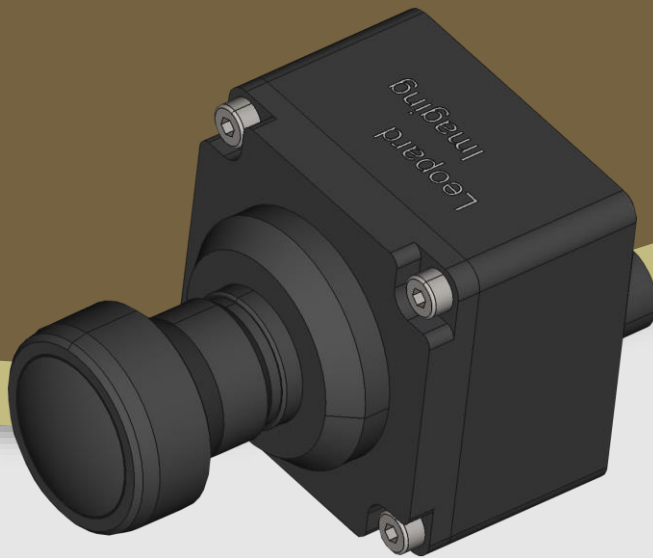




LI-AR0821C-GMSL2-xxxH



Address:

48820 Kato Road
Suite 100B
Fremont, CA 94538
USA



Phone:

+1 (408)263-0988

Fax:

+1 (408)217-1960



Sales:

sales@leopardimaging.com

Support:

support@leopardimaging.com

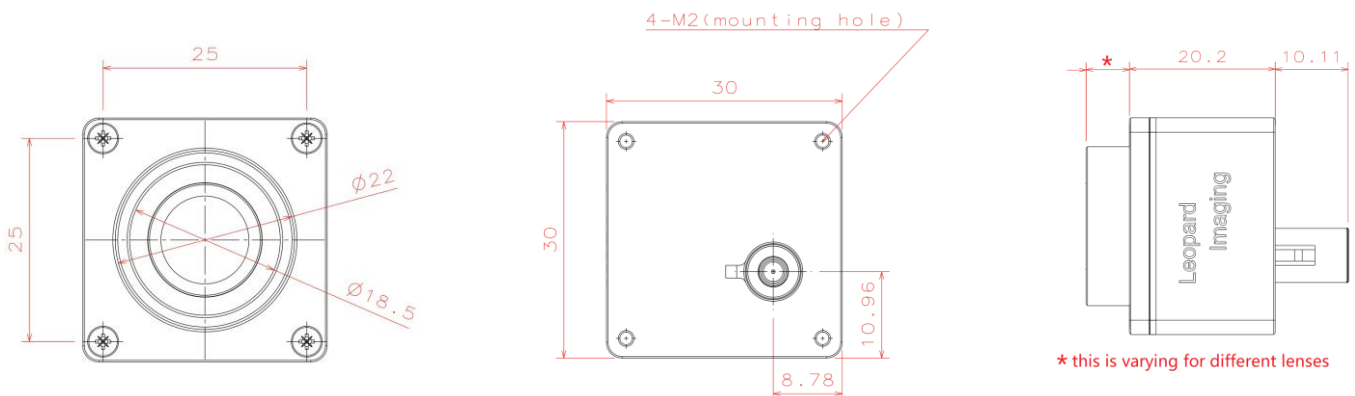
INTRODUCTION

The LI-AR0821C-GMSL2-120H is equipped with ON Semiconductor 8.3MP CMOS RGB Image sensor AR0821 and Maxim GMSL2 Serializer MAX9295A. This camera outputs 3840 x 2160 RAW data.

KEY FEATURES

| | |
|--------------------|----------------------------------------------|
| Sensor | ON Semiconductor AR0821 8.3M CMOS RGB Sensor |
| Optical format | 1/2" |
| Resolution | 3840H x 2160V |
| Pixel size | 2.1um x 2.1um |
| Data format | Raw data |
| Lens | FOV H 60° /120° |
| Serializer | Maxim MAX9295A |
| Power Supply Range | 9V ~ 19V |
| Connector | FAKRA Z TYPE |
| Power consumption | < 100mA@12VDC |
| Operating Temp | -30 ~ +85°C |
| Storage Temp | -40 ~ +105°C |
| Water Proof | IP67 |
| Weight | 45g ± 2g |
| Size | TBD |
| Part# | LI-AR0821C-GMSL2-xxxH |

DIMENSIONS (NO LENS)



APPLICATIONS

- High Dynamic Range Imaging

WATER PROOF

- Metal Housing
- Water-proof lens
- Sealed Gasket (White)
- Sealed O-ring (Red)
- IP67

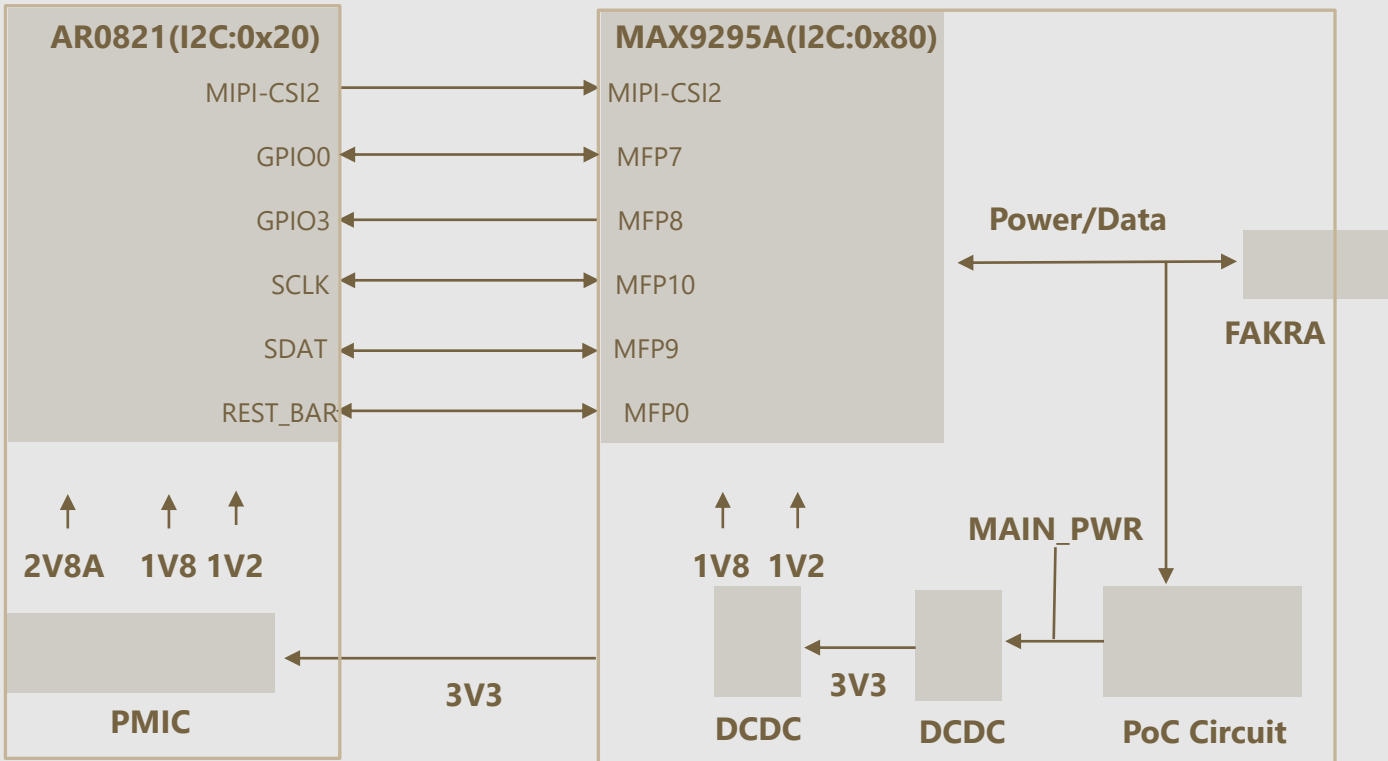


CABLE CONNECTOR

- Housing Connector FAKRA Z Type
- Cable length: 3 meters
- Cable Part#: FAK-SMZSMZ-3M



PINOUT CONNECTIONS



ORDERING INFORMATION

Note: xxxH - 060H: FOV H 60° xxxH - 120H: FOV H 120°

| LI-AR0821C-GMSL2-060H | LI-AR0821C-GMSL2-120H |
|-----------------------------------------------------------------------------------------------------------------|--------------------------------------------------------------------------------------------------------------------------------|
|  |  |
| Lens EFL: 7.87 mm F/#: 1.8 FOV(D): 68° FOV(H): 59° FOV(V): 32.2° Water-proof: IP67 Mount: M12 | Lens EFL: 3.9mm ± 2% F/#: 1.6 ± 5% FOV(D): 140.1° FOV(H): 121.2° FOV(V): 67.2° Water-proof: IP69K Mount: M12 |

USB3.0 CAMERA KIT

LI-USB30-DESER-GMSL2



LI-AR0821C-GMSL2-xxxH can connect to LI-USB30-DESER-GMSL2 as a USB 3.0 camera.

Part#: **LI-USB30-AR0821C-GMSL2-xxH**

KEY FEATURES

- USB 3.0 Super Speed support
- UVC compliance
- Provide customization services
- 12VDC Power Supply
- Weight: TBD
- Single Coax Cable transmit up to 12 meters PoC (Power over Cable)
- Resolution: 3848x2168@8fps
- Power consumption: < 100mA@12VDC
- Support Windows, Linux OS and other OS which include the UVC drivers

SDK SUPPORTED

- Camera Tool Source Code in C#
- Capture & Display
- Register Access



● REVISION HISTORY

| Revision | Description | Release date |
|----------|---------------|---------------|
| 1.0 | First Release | 24. Jan. 2021 |

48820 Kato Rd, Suite 100B, Fremont, CA 94538, USA

Phone: +1-408-263-0988

Fax: +1-408-217-1960

Email: sales@leopardimaging.com

Website: www.leopardimaging.com

