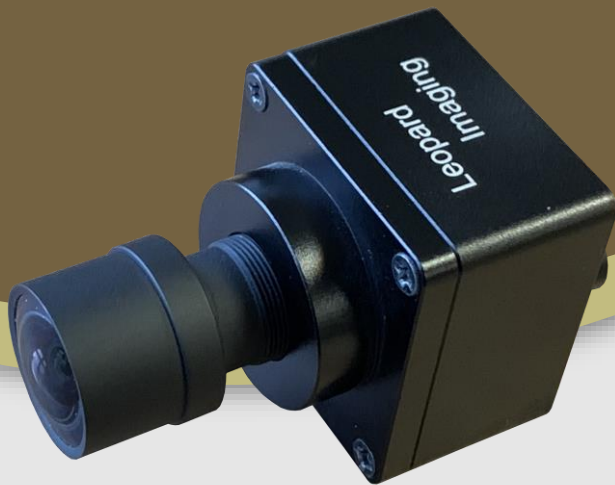




# LI-AR0521C-GMSL2-xxxH



**Address:**

48820 Kato Road  
Suite 100B  
Fremont, CA 94538  
USA



**Phone:**

+1 (408)263-0988

**Fax:**

+1 (408)217-1960



**Sales:**

[sales@leopardimaging.com](mailto:sales@leopardimaging.com)

**Support:**

[support@leopardimaging.com](mailto:support@leopardimaging.com)

## INTRODUCTION

The LI-AR0521C-GMSL2-xxxH is equipped with ON Semiconductor 5.1MP CMOS Image sensor AR0521 and Maxim GMSL2 Serializer MAX9295A. This camera outputs 2592 x 1944 RAW data.

## KEY FEATURES

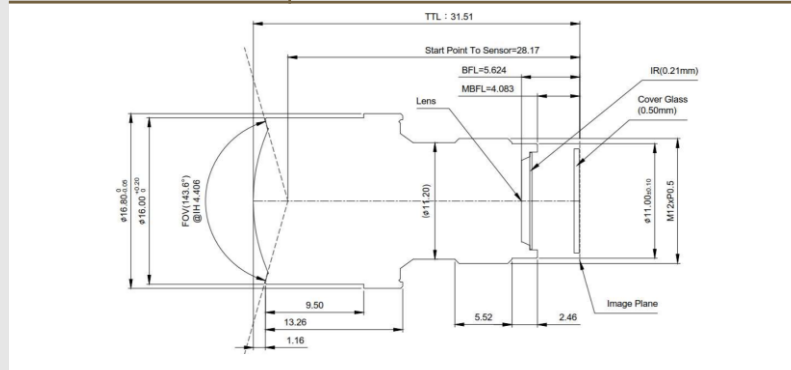
Sensor	ON Semiconductor AR0521 5.1M CMOS RGB Sensor
Optical format	1/2.5"
Resolution	2592H x 1944V
Pixel size	2.2um x 2.2um
Data format	Raw data
Lens	FOV H 86°
Serializer	Maxim MAX9295A
Power Supply Range	9V ~ 19V
Connector	FAKRA Z TYPE
Power consumption	< 80mA @ 12V DC
Operating Temp	-30 ~ +85°C
Storage Temp	-30 ~ +85°C
Water Proof	N/A
Weight	47g ± 2g
Size	30 x 30 x 48mm
Part#	LI-AR0521C-GMSL2-xxxH

## APPLICATIONS

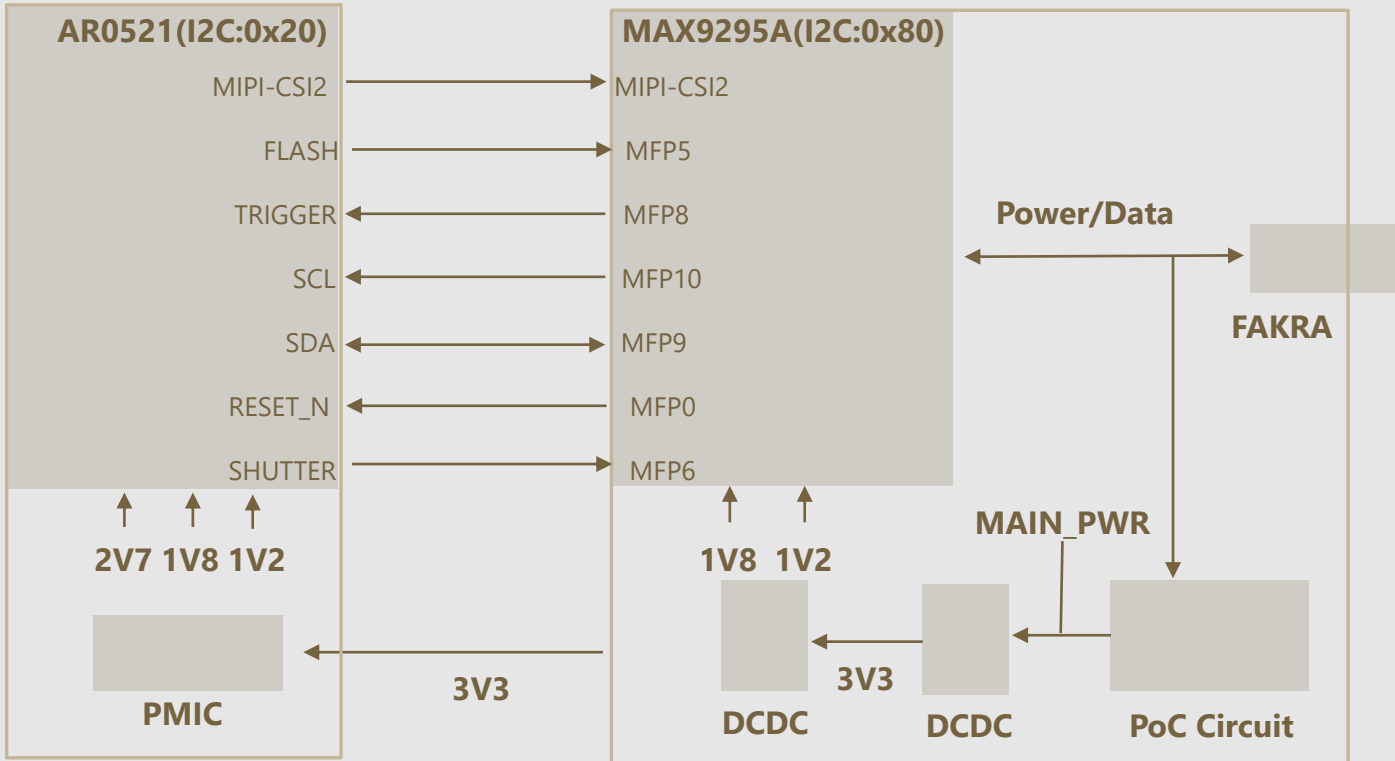
- Video Surveillance
- High Dynamic Range Imaging

## LENS SPECIFICATIONS

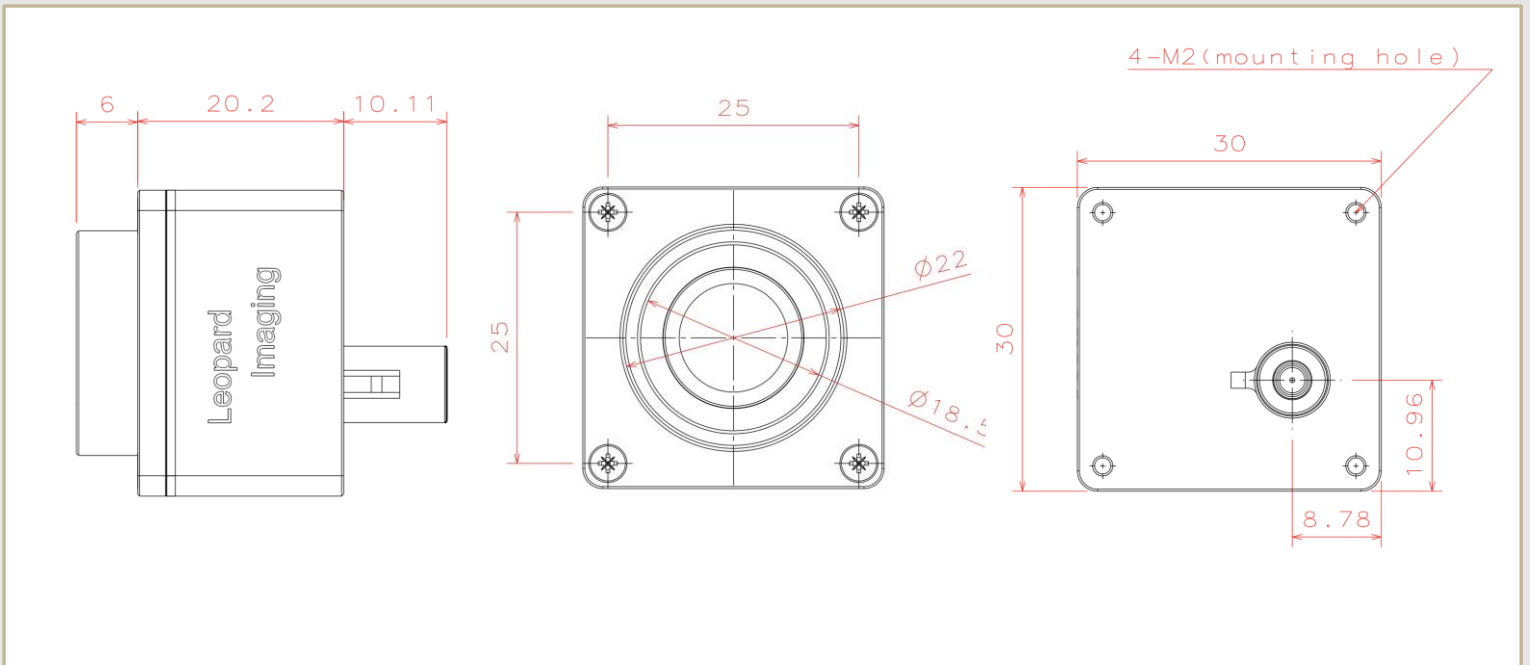
Focal length	3.939mm
Aperture, F/#	2.20 ± 5%
FOV (D/H/V)	110.1° /86° /63.6°
IR cut filter	650nm IR cut filter
Mount	M12 x P0.5



## PINOUT CONNECTIONS



## DIMENSIONS (WITHOUT LENS)



# USB3.0 CAMERA KIT

LI-USB30-DESER-GMSL2



LI-AR0521C-GMSL2-xxxH can connect to LI-USB30-DESER-GMSL2 as a USB 3.0 camera.

Part#: **LI-USB30-AR0521C-GMSL2-xxxH**

## KEY FEATURES

- USB 3.0 Super Speed support
- UVC compliance
- Provide customization services
- 12VDC Power Supply
- Weight: TBD
- Single Coax Cable transmit up to 12 meters PoC (Power over Cable)
- Resolution: 2600x1952@25fps (default exposure setting)
- Power consumption: < 80mA @ 12V DC
- Support Windows, Linux OS and other OS which include the UVC drivers

## SDK SUPPORTED

- Camera Tool Source Code in C#
- Capture & Display



## ● REVISION HISTORY

Revision	Description	Release date
1.0	First Release	04. Jan. 2021
1.1	Update the enclosure	06. Feb. 2021

48820 Kato Rd, Suite 100B, Fremont, CA 94538, USA

Phone: +1-408-263-0988

Fax: +1-408-217-1960

Email: [sales@leopardimaging.com](mailto:sales@leopardimaging.com)

Website: [www.leopardimaging.com](http://www.leopardimaging.com)

