



LEOPARD IMAGING INC

Rev. 1.1

Key Features

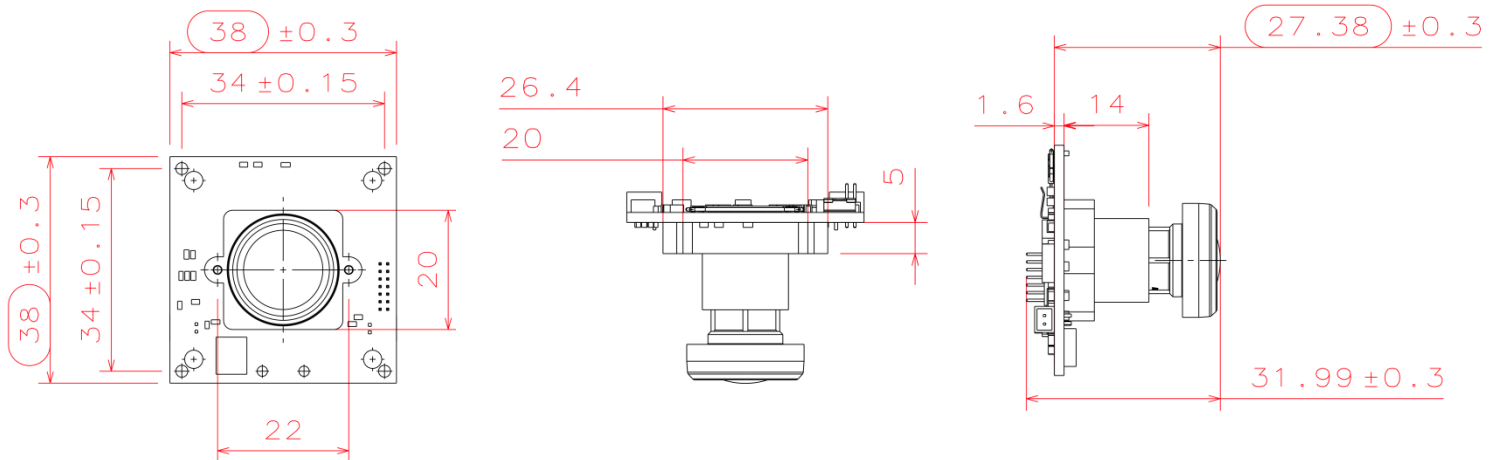
- ON Semiconductor CMOS Image Sensor AR0144
- Active pixels: 1280 (H) x 800 (V)
- Pixel size: 3.0 x 3.0 μm
- Optical format: 1/4"
- Interface: MIPI output
- Supports M12 lens
- Global Shutter
- Weight: ~ 12 g
- Part#: **LI-AR0144-MIPI-M12**



Lens Spec

- Model: SYD1201A
- Focal Length: 3.7 mm
- Aperture, F/#: 2.8 +/- 5%
- Built in 650 nm IR cut filter
- FOV (D / H / V): 66.5° / 59° / 35.5°
- TV Distortion: -1.0 %
- Mount: M12 x P0.5

Dimensions



Leopard Imaging Inc.

1130 Cadillac Ct., Milpitas, CA 95035, USA
 Phone: +1-408-263-0988
 Fax: +1-408-217-1960
 Email: sales@leopardimaging.com
 Website: www.leopardimaging.com

Interfaces

Interfaces	
<p>Interface J4:</p> <ul style="list-style-type: none"> Part#: 20525-030E-02C Number of Positions: 30 Pitch: 0.4 mm Mating I-PEX cable: FAW-1233 	
<p>Interface J3:</p> <ul style="list-style-type: none"> Part#: 1734829-2 Number of Positions: 2 Pitch: 1.25 mm 	
<p>Interface J6:</p> <ul style="list-style-type: none"> Part#: 1734829-2 Number of Positions: 2 Pitch: 1.25 mm 	



Revision History

Revision	Description	Release Date
1.0	First release.	15. Dec. 2020
1.1	Deleted info quoted from sensor spec.	26. May. 2022

