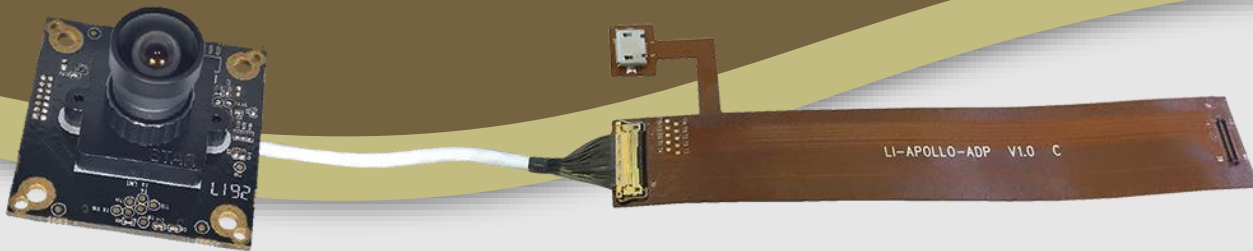




LI-APOLLO-ADP-IMX274



Address:

48820 Kato Road
Suite 100B
Fremont, CA 94538
USA



Phone:

+1 (408)263-0988

Fax:

+1 (408)217-1960



Sales:

sales@leopardimaging.com

Support:

support@leopardimaging.com

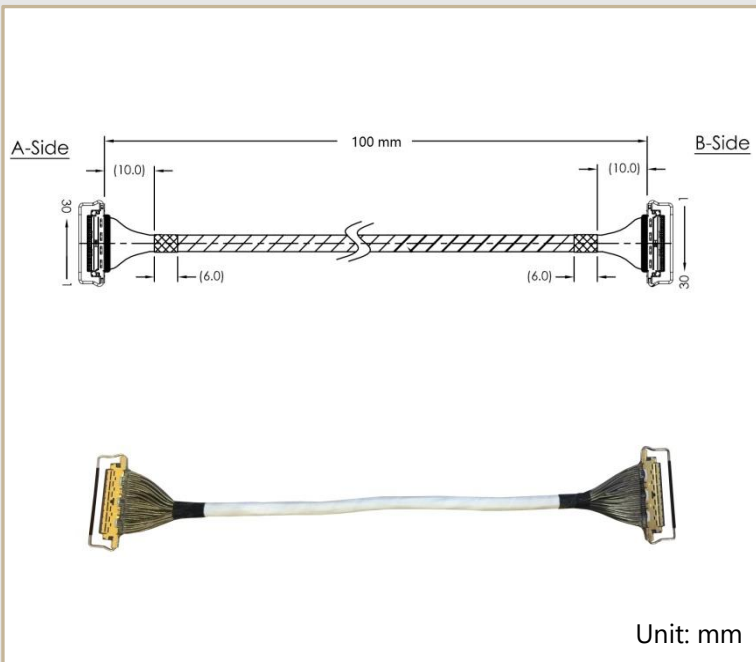
KEY FEATURES

- Compatible with Intel Apollo Processor board
- MIPI interface
- Supports two cameras
- Allows customization
- Weight: ~ 18 g
- Part#: **LI-APOLLO-ADP-IMX274**

LENS SPECIFICATIONS

Effective Focal Length	3.25 mm ± 5%
Aperture, F/#	2.60 ± 5%
Field of View (FOV)	87.9° horizontal
	96.1° diagonal
	56.2° vertical
TV Distortion	< -0.55%
Relative Illumination	> 66.15%
IR Filter	650 nm IR cut filter
Lens Mount	M12 x P0.5

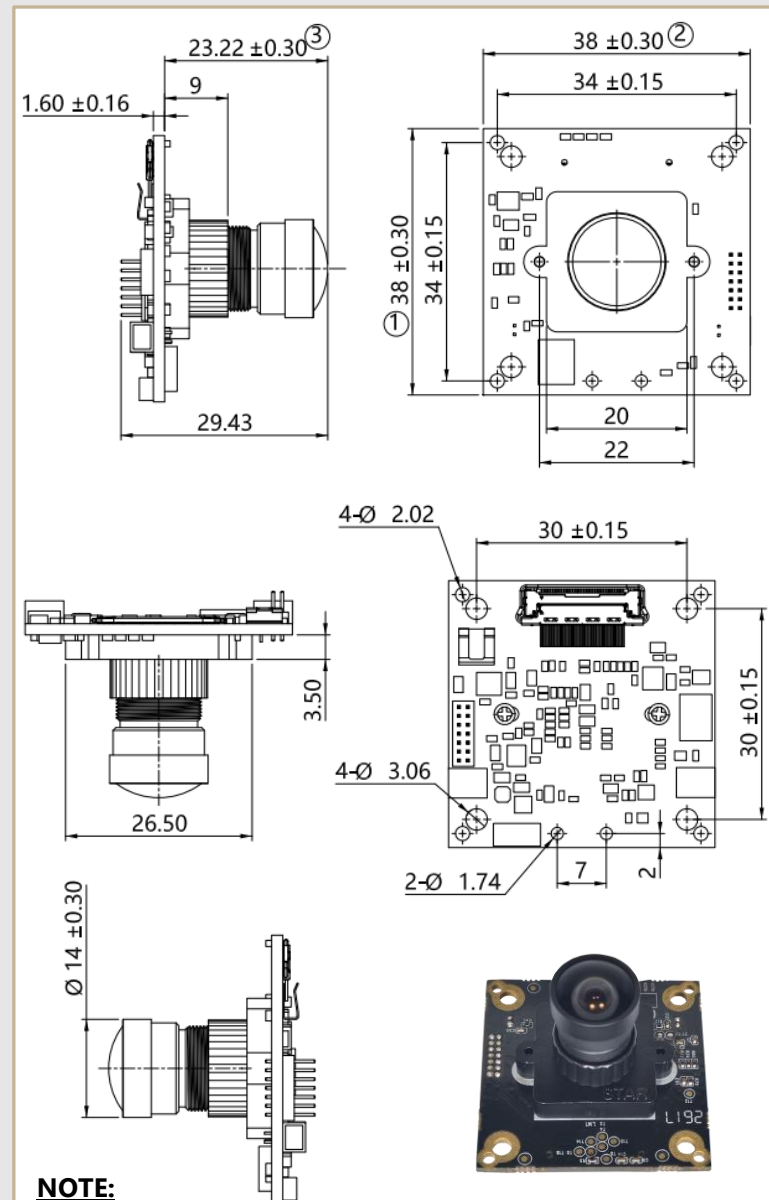
Dimensions (FAW-1233-01)



BOM

#	Items	QTY
1	LI-IMX274-MIPI-M12	1
2	FAW-1233-01 cable	1
3	LI-APOLLO-ADP	1

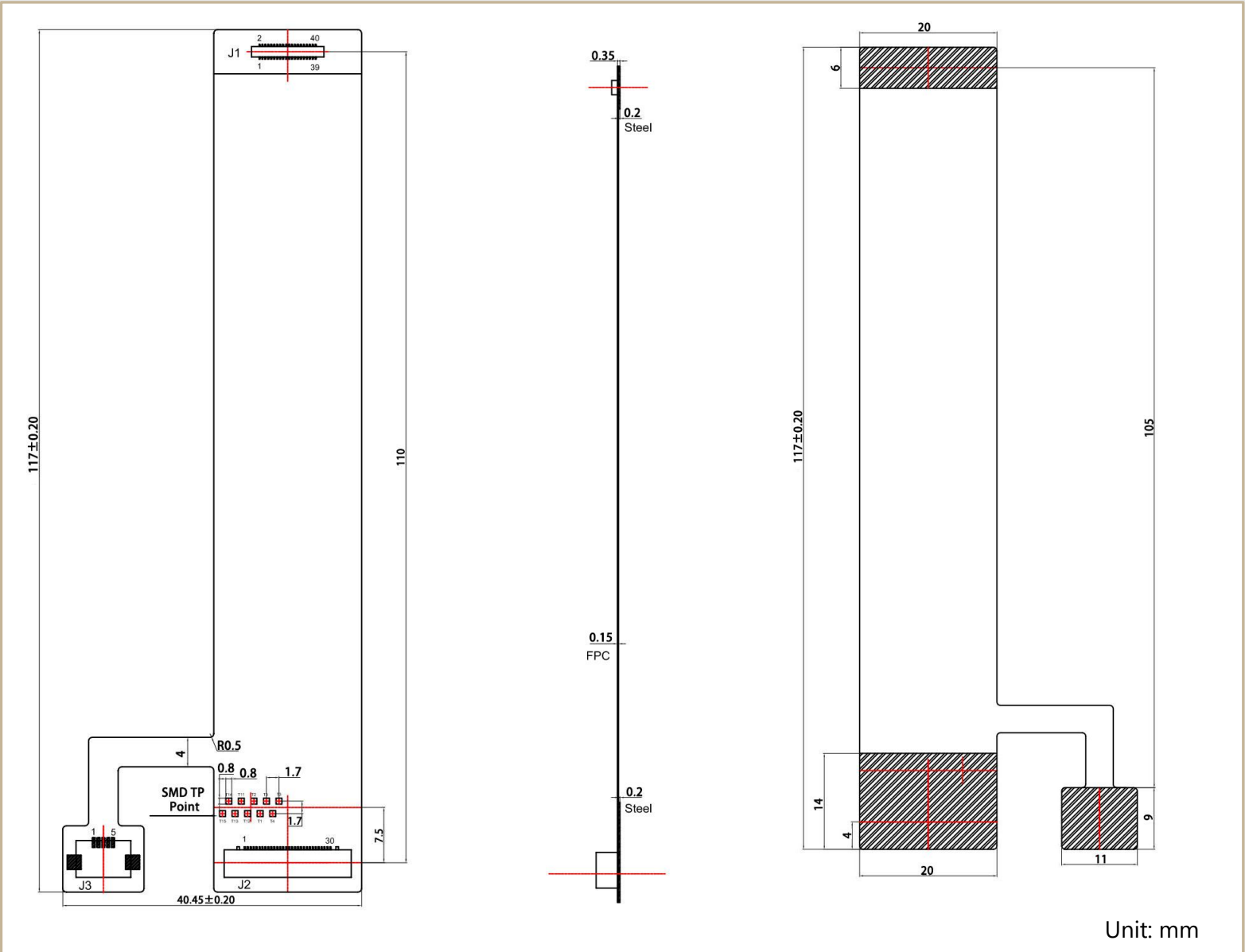
Dimensions (LI-IMX274-MIPI-M12)



NOTE:

- ⊗ marked are important sizes.
- Tolerances for others unmarked are ± 0.3 mm. Unit: mm

DIMENSIONS (LI-APOLLO-ADP)

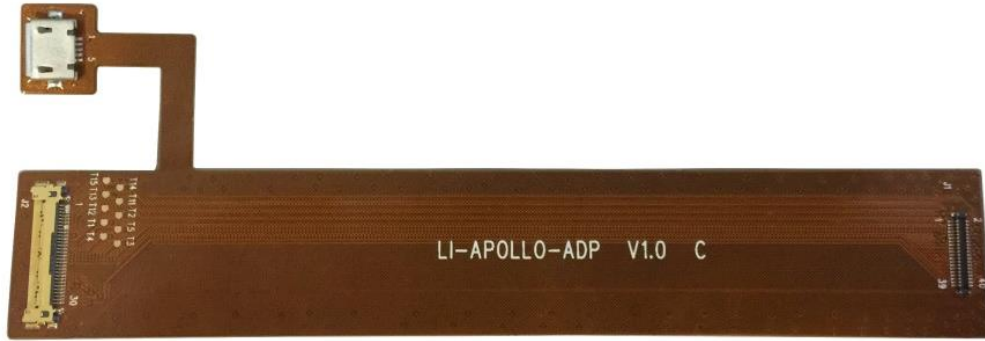


WORK ON INTEL APOLLO PROCESSOR BOARD



Connect Pin1 (LI-APOLLO-ADP) to Pin1 (Intel Apollo board) ... Pin40 to Pin40

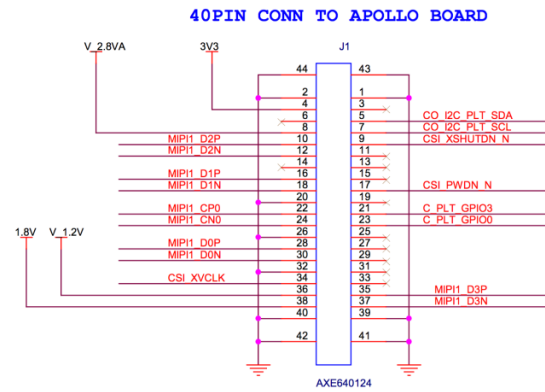
LI-APOLLO-ADP



INTERFACES

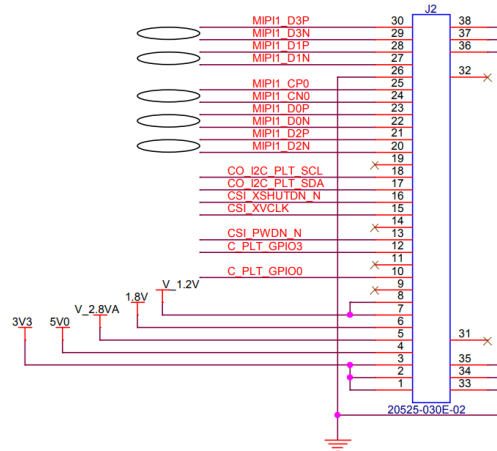
Interface J1

- Part#: AXE640124
- Number of Positions: 40
- Pitch: 0.4 mm
- Number of Rows: 2



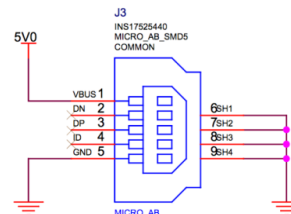
Interface J2

- Part#: 20525-030E-02
- Number of Positions: 30
- Pitch: 0.4 mm
- Mating I-PEX cable: FAW-1233-01 (100 mm)



Interface J3

- Part#: 10118192-0001LF
- Connector Type: USB - Micro B
- Number of Contacts: 5
- USB2.0 port for 5V Source



LI-IMX274-MIPI-M12



CAMERA SPECIFICATIONS

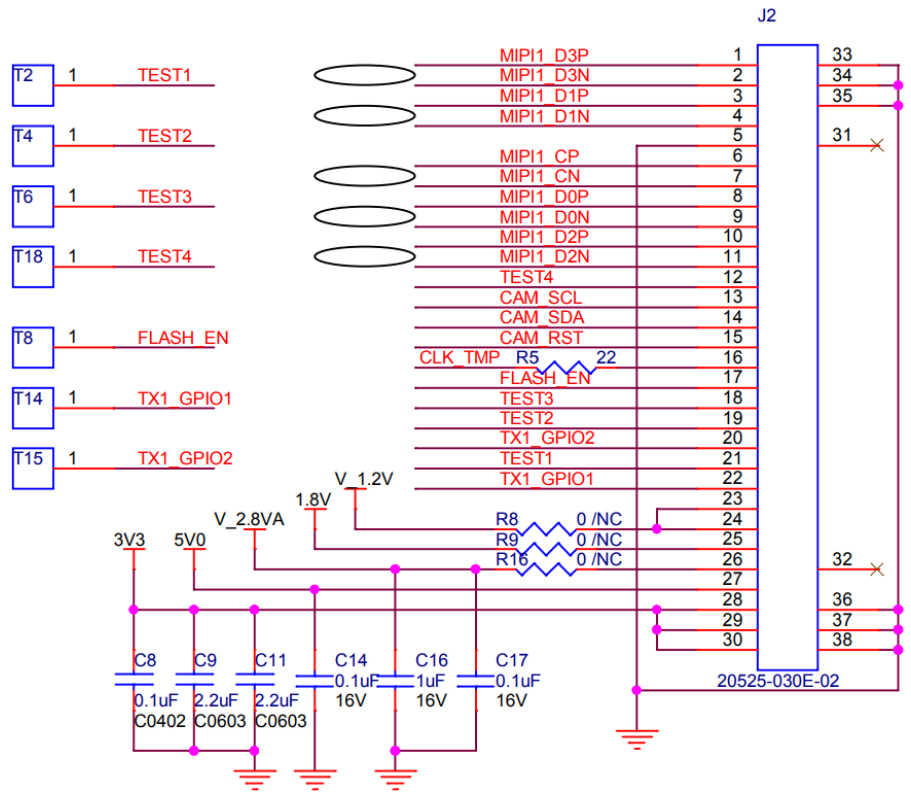
Sensor	Sony Diagonal 7.20 mm (Type 1/2.5) CMOS Image Sensor IMX274
Optical Format	1/2.5"
Resolution	3864 (H) x 2196 (V) (active pixels)
Pixel Size	1.62 x 1.62 μm
Output Format	10-bit / 12-bit RAW data
Maximum Frame Rate	60 fps @ 3840 x 2160
ISP	Not included
Color / Mono	Color sensor
Interface	4-lane MIPI CSI-2
Operating Temp	-20°C ~ +75°C
Storage Temp	-20°C ~ +75°C
Weight	~ 14 g
Part#	LI-IMX274-MIPI-M12

LI-IMX274-MIPI-M12

INTERFACES

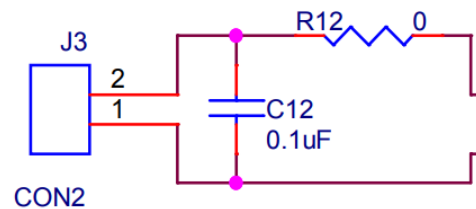
Interface J2

- Part#: 20525-030E-02
- Number of Positions: 30
- Pitch: 0.4 mm
- Mating I-PEX Cable: LI-FAW-1233
- Sensor SLAVE address: 0x1A (7-bit)
- External power supply: 3.3V
- 1.8V is generated from sensor board
- 5.0V is not used since it's for IR cut switch function only



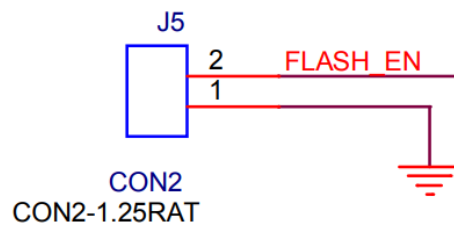
Interface J3

- Connector Part#: 1734829-2
- Number of Positions: 2
- Pitch: 1.25 mm



Interface J5

- Connector Part#: 1734829-2
- Number of Positions: 2
- Pitch: 1.25 mm



● REVISION HISTORY

Revision	Description	Release Date
1.0	First release.	01 Nov 2017
1.1	Deleted info quoted from sensor spec.	18 May 2022
1.2	Updated Lens info and related pics and dimensions.	19 Oct 2022

48820 Kato Rd, Suite 100B, Fremont, CA 94538, USA

Phone: +1-408-263-0988

Fax: +1-408-217-1960

Email: sales@leopardimaging.com

Website: www.leopardimaging.com

