



LEOPARD IMAGING INC

# LI-APOLLO-ADP-IMX185

## Data Sheet

### Key Features

- Compatible with Intel Apollo Processor board
- MIPI interface
- Supports two cameras
- Allows customization
- Weight: ~ 18 g
- Part#: **LI-APOLLO-ADP-IMX185**



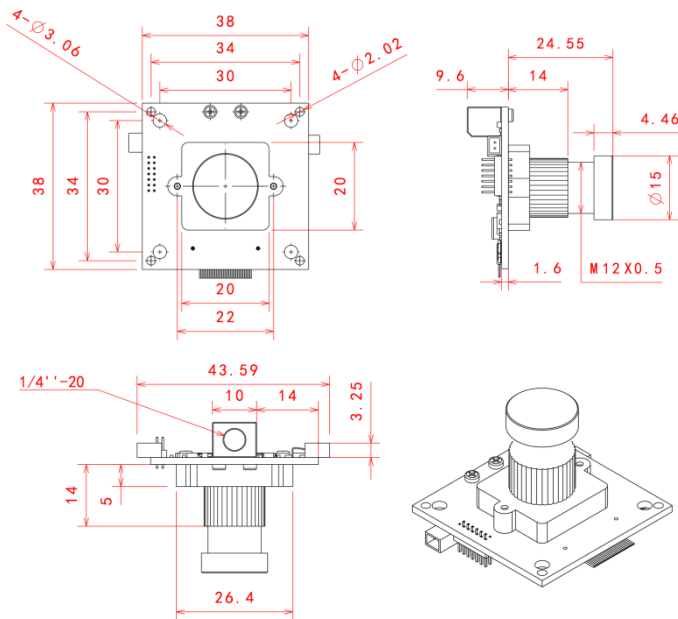
### BOM

#	Items	QTY
1	LI-IMX185-MIPI-M12	1
2	FAW-1233-01 cable	1
3	LI-APOLLO-ADP	1

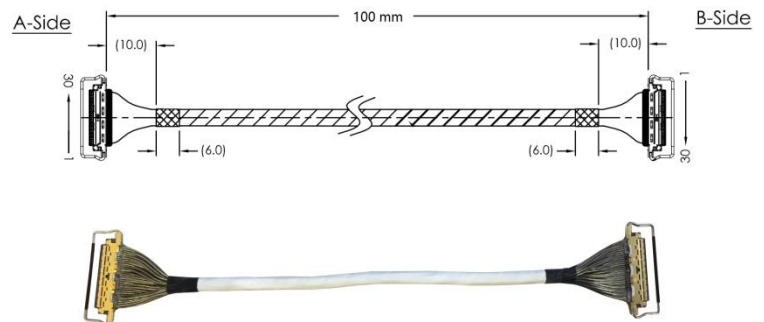
### Lens Spec

- Model: SYD1201A
- Focal length: 3.7 mm
- Aperture, F/#: 2.8 +/- 5%
- Built in 650 nm IR cut filter
- FOV (D / H / V): 102° / 92° / 60°
- TV Distortion: -1.0 %
- Mount: M12 x P0.5

### Dimensions (LI-IMX185-MIPI-M12)



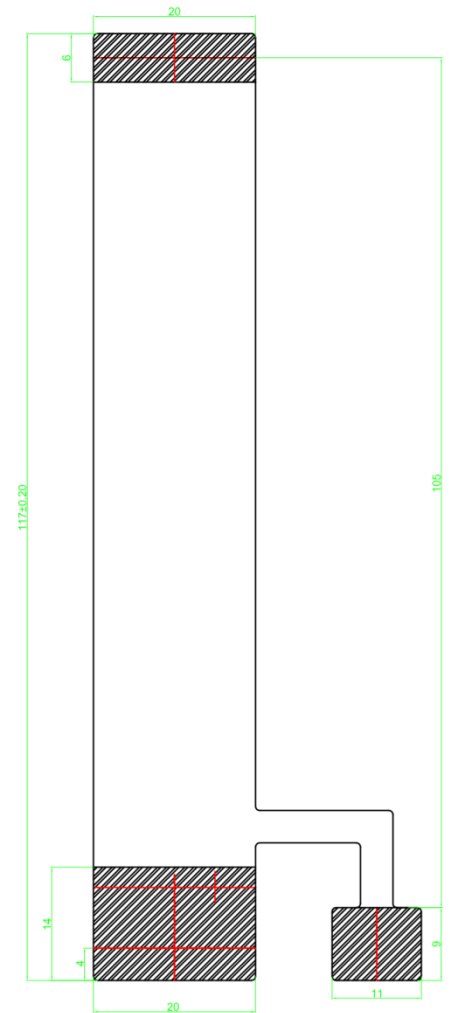
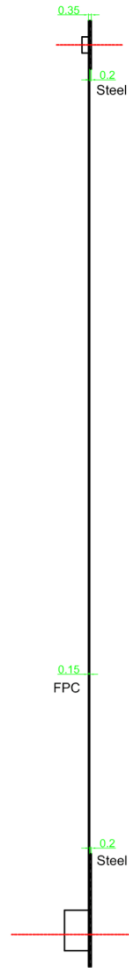
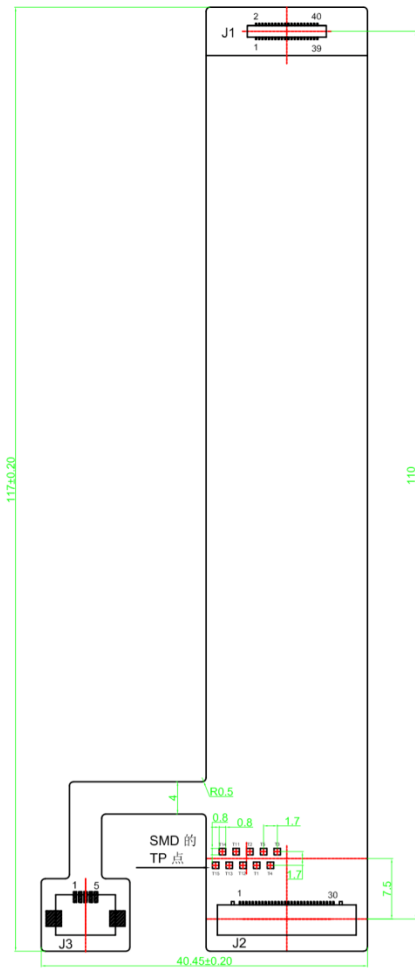
### Dimensions (FAW-1233-01)



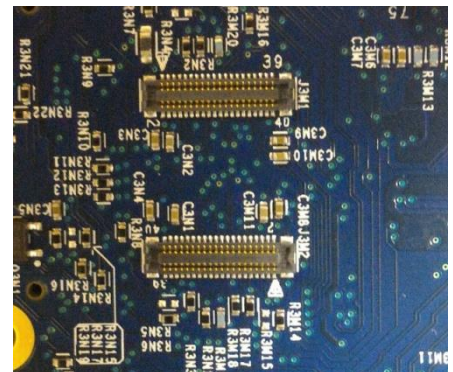
Leopard Imaging Inc.

48820 Kato Rd, Suite 100B, Fremont, CA 94538, USA  
 Phone: +1-408-263-0988  
 Fax: +1-408-217-1960  
 Email: sales@leopardimaging.com  
 Website: www.leopardimaging.com

## Dimensions (LI-APOLLO-ADP)



## Work on Intel Apollo Processor board

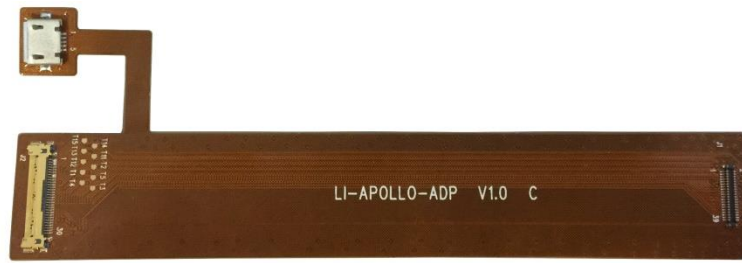


**Connect pin1 (LI-APOLLO-ADP) to pin1 (Intel Apollo board) ... pin40 to pin40**



Leopard Imaging Inc.

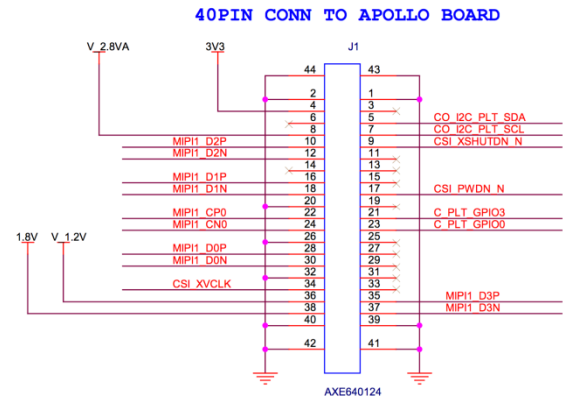
48820 Kato Rd, Suite 100B, Fremont, CA 94538, USA  
 Phone: +1-408-263-0988  
 Fax: +1-408-217-1960  
 Email: sales@leopardimaging.com  
 Website: www.leopardimaging.com



## Interfaces

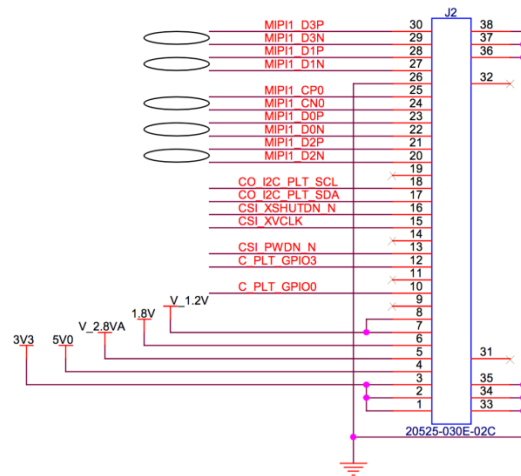
### Interface J1

- Part#: AXE640124
- Number of Positions: 40
- Pitch: 0.4 mm
- Number of Rows: 2



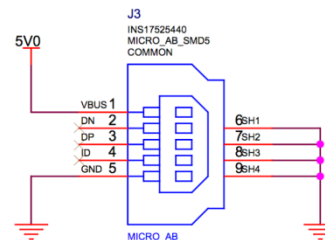
### Interface J2

- Part#: 20525-030E-02C
- Number of Positions: 30
- Pitch: 0.4 mm
- Mating I-PEX cable: FAW-1233-01 (100 mm)

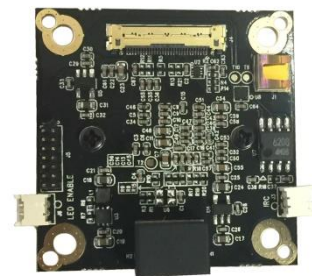


### Interface J3

- Part#: 10118192-0001LF
- Connector Type: USB - Micro B
- Number of Contacts: 5
- USB2.0 port for 5V Source



# LI-IMX185-MIPI-M12



Camera Spec	
Image sensor	Sony Diagonal 8.58 mm (Type 1/1.9) Solid-state Image Sensor IMX185
Optical format	1/1.9"
Number of active pixels	1952 (H) x 1243 (V)
Pixel size	3.75 x 3.75µm
Color or Mono	Color
Interface	MIPI interface
Lens mount	M12
Weight	~ 12 g
Interfaces	
<b>Interface J2:</b> <ul style="list-style-type: none"> <li>Part#: 20525-030E-02C</li> <li>Number of Positions: 30</li> <li>Pitch: 0.4 mm</li> <li>Mating I-PEX cable: FAW-1233-03 (300 mm)</li> </ul>	
<b>Interface J3:</b> <ul style="list-style-type: none"> <li>Part#: 1734829-2</li> <li>Number of Positions: 2</li> <li>Pitch: 1.25 mm</li> </ul>	
<b>Interface J5:</b> <ul style="list-style-type: none"> <li>Part#: 1734829-2</li> <li>Number of Positions: 2</li> <li>Pitch: 1.25 mm</li> </ul>	



Leopard Imaging Inc.

48820 Kato Rd, Suite 100B, Fremont, CA 94538, USA  
 Phone: +1-408-263-0988  
 Fax: +1-408-217-1960  
 Email: sales@leopardimaging.com  
 Website: www.leopardimaging.com

## Revision History

Revision	Description	Release Date
1.0	First Release.	01. Nov. 2017
1.1	Deleted info quoted from sensor spec.	17. May. 2022



Leopard Imaging Inc.

48820 Kato Rd, Suite 100B, Fremont, CA 94538, USA  
Phone: +1-408-263-0988  
Fax: +1-408-217-1960  
Email: sales@leopardimaging.com  
Website: www.leopardimaging.com