



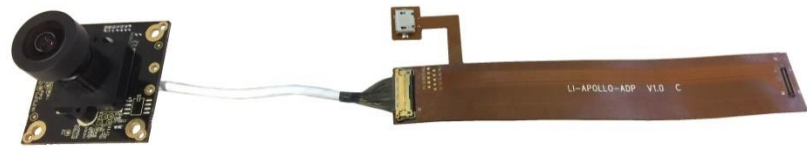
LEOPARD IMAGING INC

# LI-APOLLO-ADP-AR023Z-YUV

## Data Sheet

### Key Features

- Compatible with Intel Apollo Processor board
- MIPI interface
- YUV output without compression
- Color sensor
- Built-in AP0202 ISP
- Built-in Parallel-to-MIPI Bridge
- Supports two cameras
- Allows customization
- Weight: ~ 18 g
- Part#: **LI-APOLLO-ADP-AR023Z-YUV**



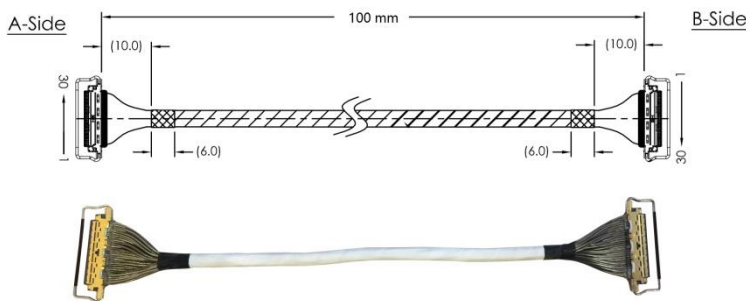
### Lens Spec

- Model: M13B0618WR5
- Focal length: 6.0 mm
- Aperture, F/#: 1.8
- Built-in 650 nm IR cut filter
- FOV (D / H / V): 69° / 58° / 31°
- IRIS: Fixed
- Mount: M12 x 0.5 – 6g

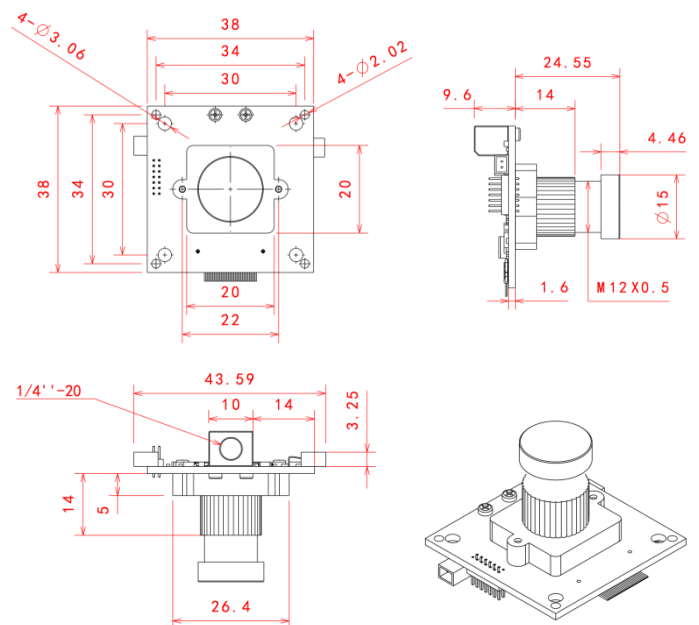
### BOM

#	Items	QTY
1	LI-AR023Z-YUV-MIPI	1
2	FAW-1233-01 cable	1
3	LI-APOLLO-ADP	1

### Dimensions (FAW-1233-01)



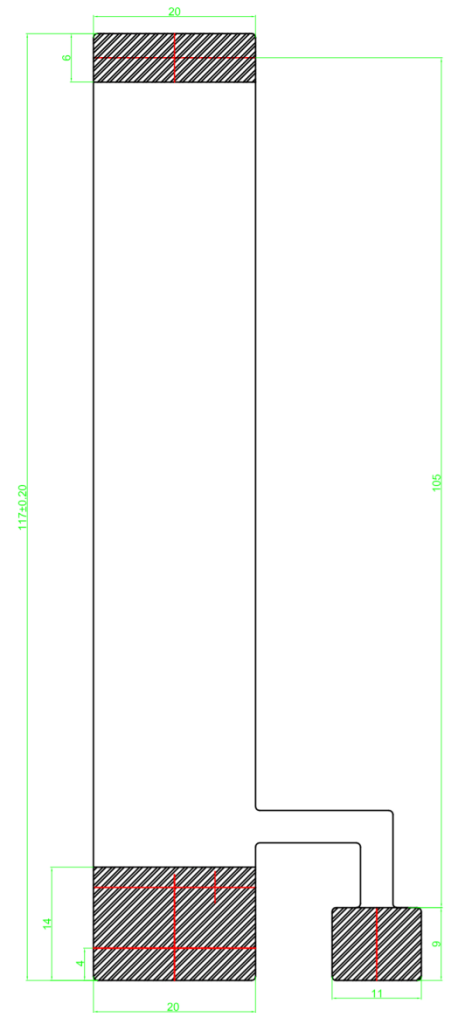
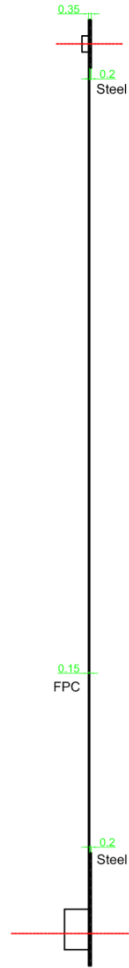
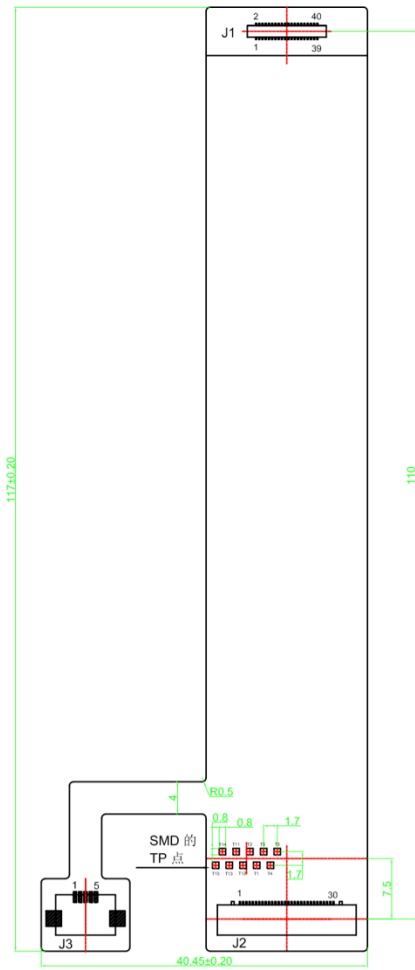
### Dimensions (LI-AR023Z-YUV-MIPI)



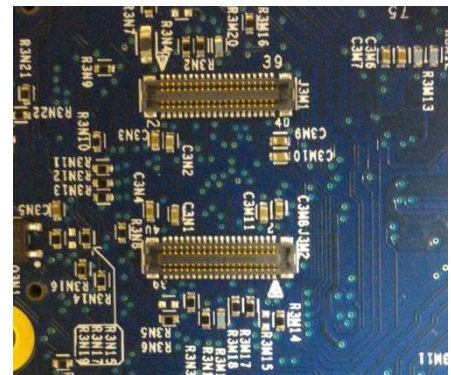
Leopard Imaging Inc.

1130 Cadillac Ct., Milpitas, CA 95035, USA  
 Phone: +1-408-263-0988  
 Fax: +1-408-217-1960  
 Email: sales@leopardimaging.com  
 Website: www.leopardimaging.com

## Dimensions (LI-APOLLO-ADP)



## Work on Intel Apollo Processor board

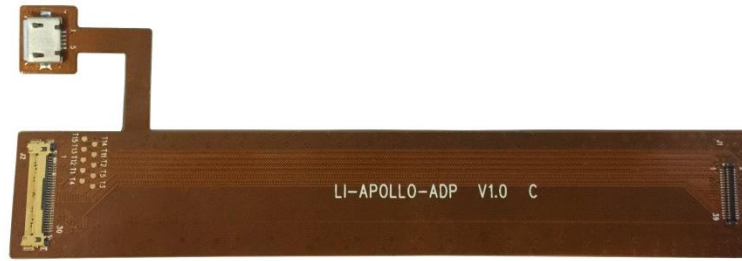


**Connect pin1 (LI-APOLLO-ADP) to pin1 (Intel Apollo board) ... pin40 to pin40**



Leopard Imaging Inc.

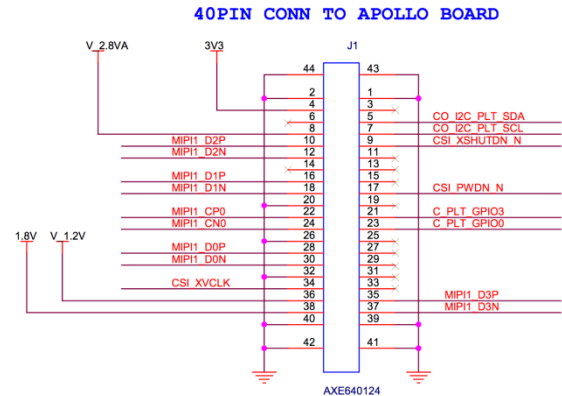
1130 Cadillac Ct., Milpitas, CA 95035, USA  
 Phone: +1-408-263-0988  
 Fax: +1-408-217-1960  
 Email: sales@leopardimaging.com  
 Website: www.leopardimaging.com



## Interfaces

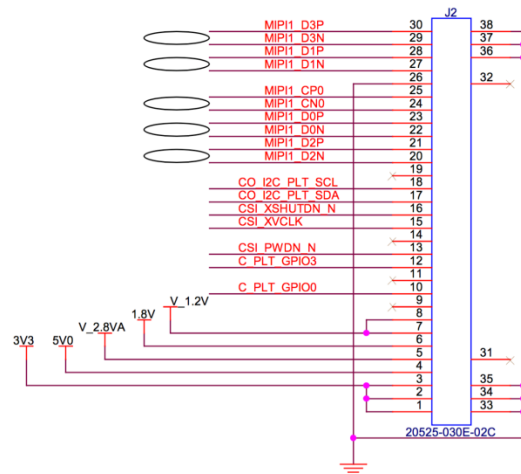
### Interface J1

- Part#: AXE640124
- Number of Positions: 40
- Pitch: 0.4 mm
- Number of Rows: 2



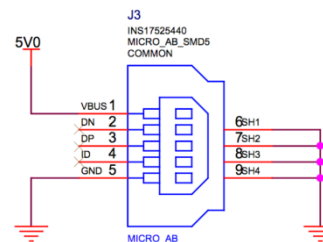
### Interface J2

- Part#: 20525-030E-02C
- Number of Positions: 30
- Pitch: 0.4 mm
- Mating I-PEX cable: FAW-1233-01 (100 mm)



### Interface J3

- Part#: 10118192-0001LF
- Connector Type: USB - Micro B
- Number of Contacts: 5
- USB2.0 port for 5V Source



# LI-AR023Z-YUV-MIPI



Camera Spec	
Image sensor	ON Semiconductor AR023Z 1080p HD Sensor
Optical format	1/2.7" (6.6 mm)
Number of active pixels	1928 (H) x 1088 (V)
Pixel size	3.0 x 3.0 $\mu\text{m}$
Interface	MIPI interface
Lens mount	M12
Weight	~ 12 g
Interfaces	
<b>Interface J4:</b> <ul style="list-style-type: none"> <li>Part#: 20525-030E-02C</li> <li>Number of Positions: 30</li> <li>Pitch: 0.4 mm</li> <li>Mating I-PEX cable: FAW-1233</li> </ul>	
<b>Interface J7:</b> <ul style="list-style-type: none"> <li>Part#: 1734829-2</li> <li>Number of Positions: 2</li> <li>Pitch: 1.25 mm</li> </ul>	
<b>Interface J6:</b> <ul style="list-style-type: none"> <li>Part#: 1734829-2</li> <li>Number of Positions: 2</li> <li>Pitch: 1.25 mm</li> </ul>	



Leopard Imaging Inc.

1130 Cadillac Ct., Milpitas, CA 95035, USA  
 Phone: +1-408-263-0988  
 Fax: +1-408-217-1960  
 Email: sales@leopardimaging.com  
 Website: www.leopardimaging.com

## Revision History

Revision	Description	Release Date
1.0	First Release.	01. Nov. 2017
1.1	Deleted info quoted from sensor spec.	16. May. 2022



Leopard Imaging Inc.

48820 Kato Rd, Suite 100B, Fremont, CA 94538, USA  
Phone: +1-408-263-0988  
Fax: +1-408-217-1960  
Email: sales@leopardimaging.com  
Website: www.leopardimaging.com