

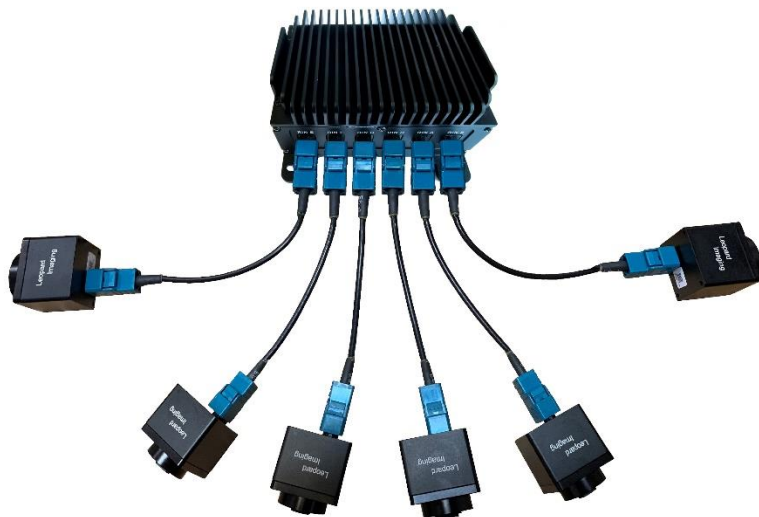


LEOPARD IMAGING INC

LI-XNXB-MX185-GMSL2-X Data Sheet

Key Features

- Nvidia® Jetson Xavier NX™ SOM included
- Support up to six GMSL2 cameras
- Sony Diagonal 8.58mm Type 1/1.9 CMOS Image Sensor IMX185LQJ
- Lens: FOV H 50°
- 1920 x 1080 resolution
- GMSL2 serializer and De-serializer included
- Connector: FAKRA Z TYPE
- Length of Fakra cable: 3 meters
- Multiple length Fakra cables supported
- M12 lens
- Camera size: 30 mm x 30 mm
- NX driver binary and source code included
- Part#:
 - (2cam) [LI-XNXB-IMX185-GMSL2-D](#)
 - (4cam) [LI-XNXB-IMX185-GMSL2-Q](#)
 - (6cam) [LI-XNXB-IMX185-GMSL2-H](#)



Application

- IoT camera
- Machine vision
- Video analytics

Lens Spec

- Model: DSL944
- Focal length: 7.5 mm
- Aperture, F/#: 2.8
- Built in 650nm IR cut filter
- FOV (D/H/V): 56° / 49° / 29°
- Distortion: < 2%
- Mount: M12 x 0.5

BOM

| # | Items | QTY |
|---|------------------|-----------|
| 1 | LI-XNX-BOX-GMSL2 | 1 |
| 2 | FAK-SMZSMZ 3M | 2, 4 or 6 |
| 3 | LI-IMX185-GMSL2 | 2, 4 or 6 |
| 4 | LI-PS12-02 | 1 |



Leopard Imaging Inc.

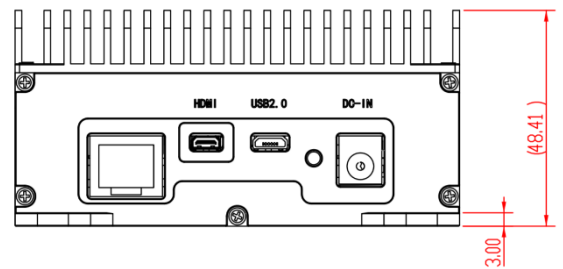
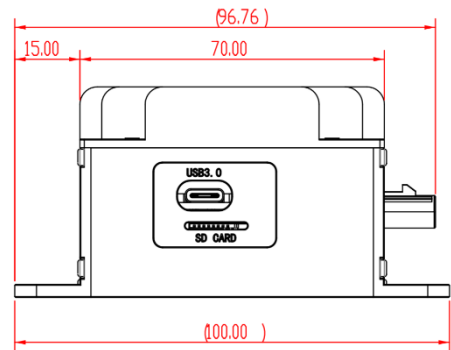
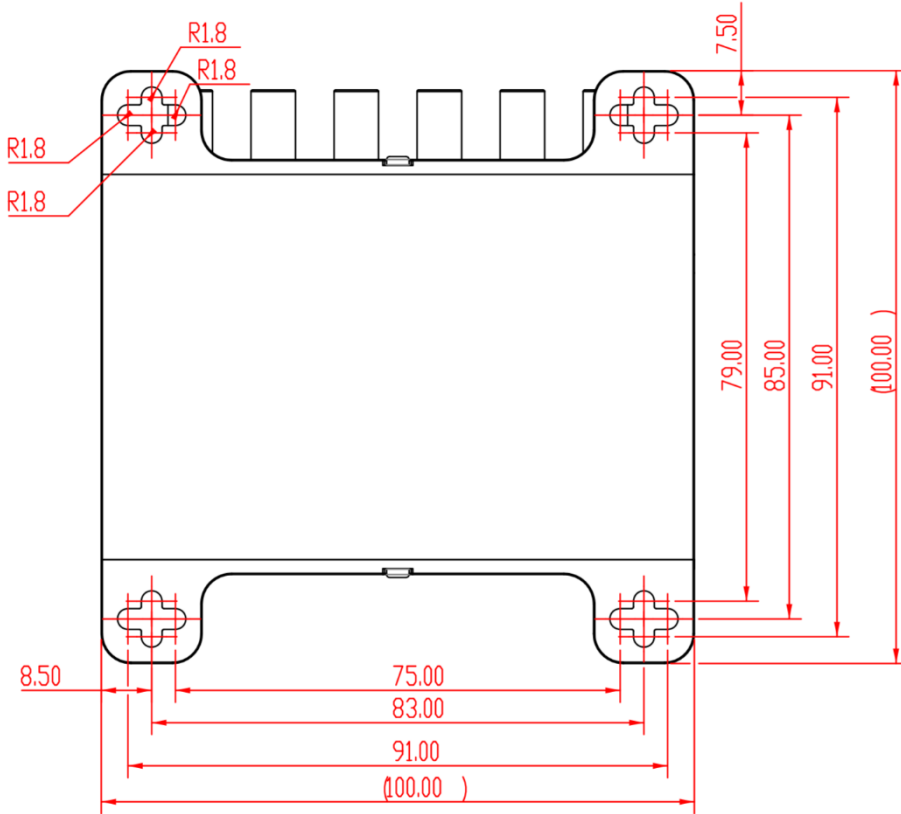
48820 Kato Rd, Suite 100B, Fremont, CA 95035, USA
 Phone: +1-408-263-0988
 Fax: +1-408-217-1960
 Email: sales@leopardimaging.com
 Website: www.leopardimaging.com

Technical details

- Nvidia® Jetson Xavier NX™ SOM Included
- 6 GMSL2 interfaces
- 1 Micro SD card interface
- 1 Micro HDMI connector
- 1 Power socket (DC 12V)
- 1 RJ45 Ethernet connector
- 1 USB 3.0 Type-C interface
- 1 USB 2.0 micro B interface
- 1 M.2 PCIe port
- REC, RST and PWR buttons included
- Heat sink included
- Connector: FAKRA Z TYPE
- Includes 4 mounting holes
- Weight: TBD
- Size: 100 mm × 100 mm × 48.41 mm
- Part#: **LI-XNX-BOX-GMSL2**



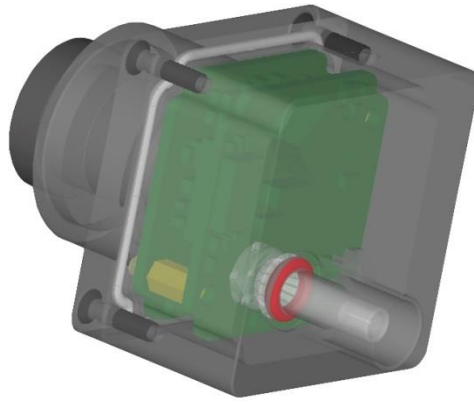

Dimensions



Leopard Imaging Inc.

48820 Kato Rd, Suite 100B, Fremont, CA 95035, USA
 Phone: +1-408-263-0988
 Fax: +1-408-217-1960
 Email: sales@leopardimaging.com
 Website: www.leopardimaging.com

LI-IMX185-GMSL2

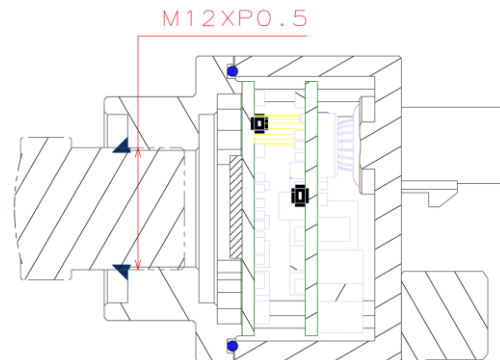
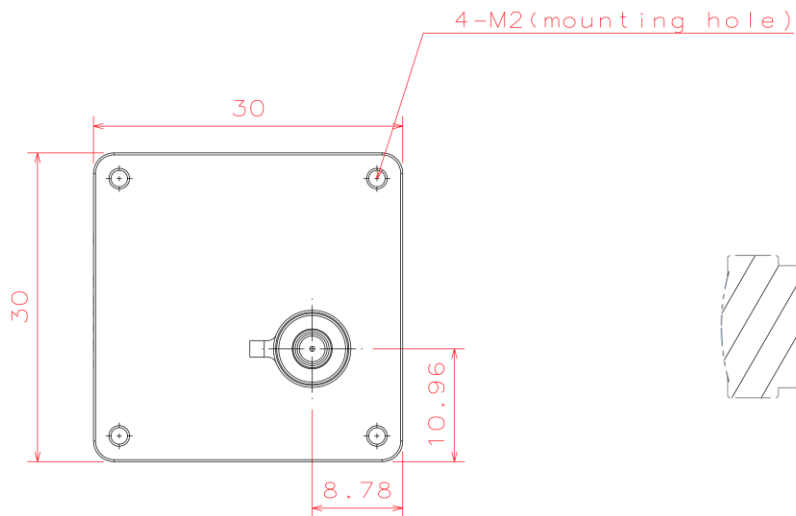
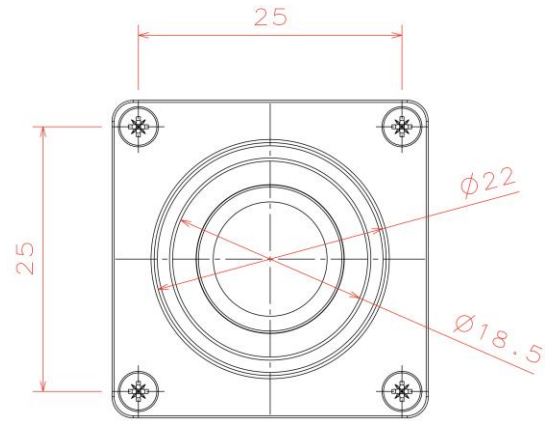
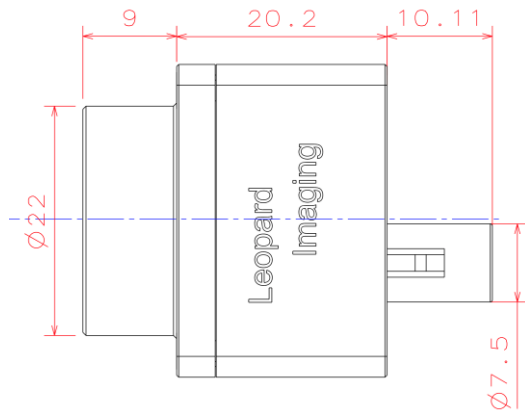
| Camera Spec | |
|--|--|
| Image Sensor | Sony Diagonal 8.58mm Type 1/1.9 CMOS Image Sensor IMX185LQJ |
| Optical format | 1/1.9" |
| Number of active pixels | 1937 (H) x 1217 (V) |
| Pixel size | 3.75 um (H) x 3.75 um (V) |
| Color or Mono | Color |
| FOV | 50 (H) |
| ISP | N/A |
| Format | Raw output without compression (to NX) |
| Interface | GMSL2 Serial interface |
| Lens mount | M12 |
| Weight | 45 g |
| Operating Temp | -30 ~ 75 °C |
| Storage Temp | -40 ~ 80 °C |
| Water proof : IP67 (Up to IP69K) Lens must be glued | |
| <ul style="list-style-type: none">▪ Metal Housing▪ Water-proof M12 lens▪ Sealed Gasket (White)▪ Sealed O-ring (Red) |  |
| Cable Connector | |
| <ul style="list-style-type: none">▪ Housing Connector- FAKRA Z Type▪ Cable length: 3 meters Support single Coax Cable transmit up to 12 meters▪ Cable Part#: FAK-SMZSMZ-3M FAKRA type connectors |  |



Leopard Imaging Inc.

48820 Kato Rd, Suite 100B, Fremont, CA 95035, USA
Phone: +1-408-263-0988
Fax: +1-408-217-1960
Email: sales@leopardimaging.com
Website: www.leopardimaging.com

Dimensions



Leopard Imaging Inc.

48820 Kato Rd, Suite 100B, Fremont, CA 95035, USA
Phone: +1-408-263-0988
Fax: +1-408-217-1960
Email: sales@leopardimaging.com
Website: www.leopardimaging.com

Revision History

| Revision | Description | Release Date |
|----------|---------------|---------------|
| 1.0 | First Release | 01. Apr. 2020 |



Leopard Imaging Inc.

48820 Kato Rd, Suite 100B, Fremont, CA 95035, USA
Phone: +1-408-263-0988
Fax: +1-408-217-1960
Email: sales@leopardimaging.com
Website: www.leopardimaging.com