



# LI-VGA-3D-063H



**Address:**

48820 Kato Road  
Suite 100B  
Fremont, CA 94538  
USA



**Phone:**

+1 (408)263-0988

**Fax:**

+1 (408)217-1960



**Sales:**

[sales@leopardimaging.com](mailto:sales@leopardimaging.com)

**Support:**

[support@leopardimaging.com](mailto:support@leopardimaging.com)

## INTRODUCTION

The LI-VGA-3D-063H stereo camera is equipped with OmniVision OV9714 CMOS image sensor. This camera outputs VGA depth map at 30 frames per second.

## KEY FEATURES

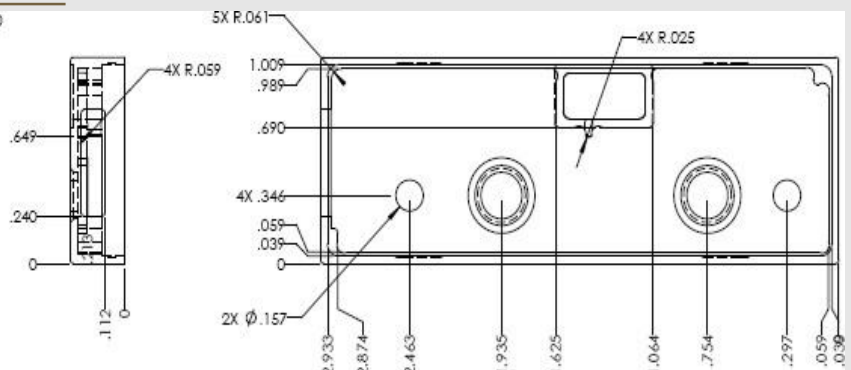
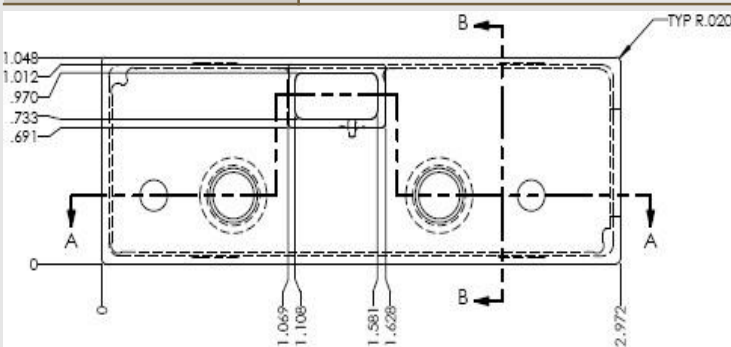
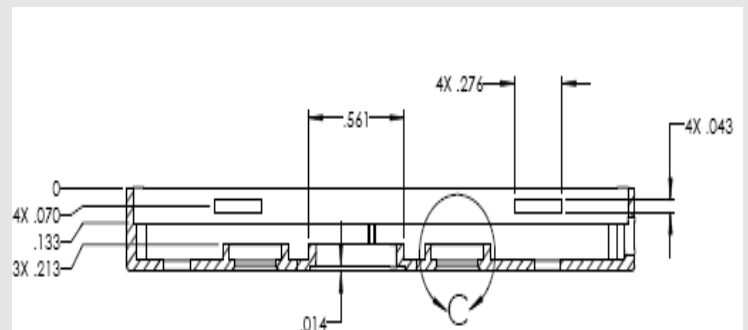
Sensor	OmniVision OV9714
Optical format	1/4"
Sensor Resolution	1280H x 720V
Pixel size	3.0µm x 3.0µm
Data format	12-bit RGB RAW
Color/Mono	Color sensor
Shutter	Rolling shutter
Max depth output	480P (VGA) @ 30fps
Depth working range	20 cm ~ 50 cm
Depth accuracy	Delta-Z-accuracy ≤ 2% Fill rate ≥ 99% Spatial noise ≤ 2% Temporal Noise ≤ 1%
Depth effective FOV	60° H 30° V
Wavelength	850 ± 10 nm IR
Power source	USB bus power (5V/900mA by USB 3.0; 5V/500mA by USB 2.0)
Connector	USB 3.0 Micro-B USB 3.0 and USB 2.0 interface supported
Operating Current	≤ 350 mA with IR illuminator
Operating Temp	0 ~ +40°C
Storage Temp	0 ~ +40°C
Baseline	3.0 cm
Part#	LI-VGA-3D-063H

## APPLICATIONS

- Depth Sensing
- Machine Vision
- AR/VR
- Robotics

## LENS SPECIFICATIONS (OPTIONAL)

Model	AOET 1LS1022G
Focal length	3.11 mm
Aperture, F/#	2.8 ± 5%
FOV	63.2° H; 42.0° V; 71.4° ± 3% D
CRA	30°
TV Distortion	≤ 1.5%
Mount dimension	M6 x P0.35 mm



## ● REVISION HISTORY

Revision	Description	Release date
1.0	First Release	30. Oct. 2020
1.1	Second Release	30. Nov. 2020

48820 Kato Rd, Suite 100B, Fremont, CA 94538, USA  
Phone: +1-408-263-0988  
Fax: +1-408-217-1960  
Email: [sales@leopardimaging.com](mailto:sales@leopardimaging.com)  
Website: [www.leopardimaging.com](http://www.leopardimaging.com)

