



LEOPARD IMAGING INC

# LI-S5K2G1-GMSL2-xxxH

## Data Sheet

### Key Features

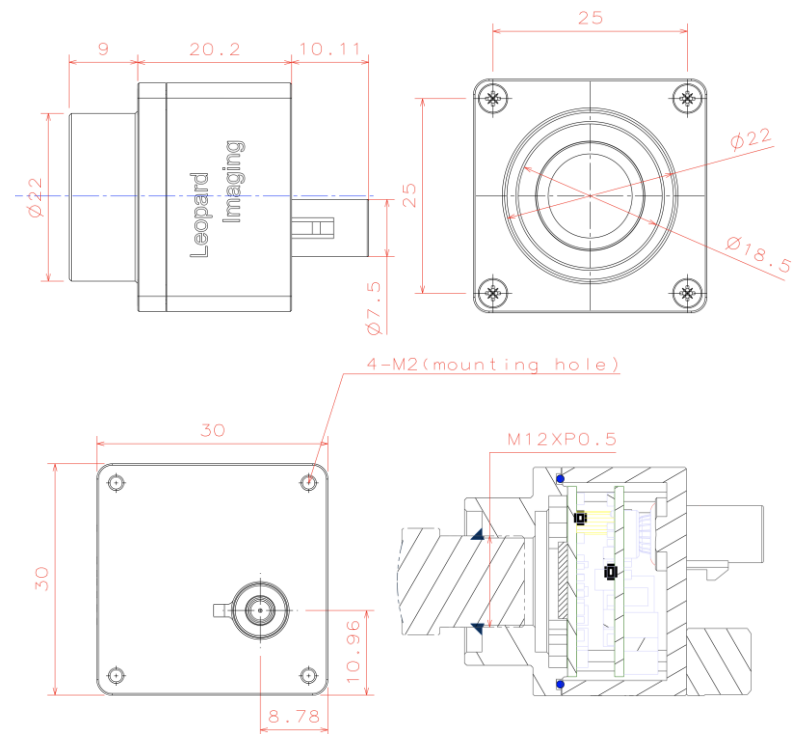
- Samsung Automotive 1/1.7" 7.4 MP CMOS Image Sensor S5K2G1
- Optical format: 1/1.7"
- Effective pixels: 3840H x 1920V
- Pixel size: 2.1  $\mu\text{m}$  x 2.1  $\mu\text{m}$
- RCCB Sensor
- Lens: FOV H 25 / 120
- GMSL2 Serializer
- Connector: FAKRA Z TYPE
- Water proof: IP67
- Operation Temp: -40 ~ 85 °C
- Storage Temp: -40 ~ 125 °C
- Size: 30 x 30mm
- Weight: 45 g
- Part#: **LI-S5K2G1-GMSL2-xxxH**



### Application

- Automotive ADAS
- Machine vision

### Dimensions

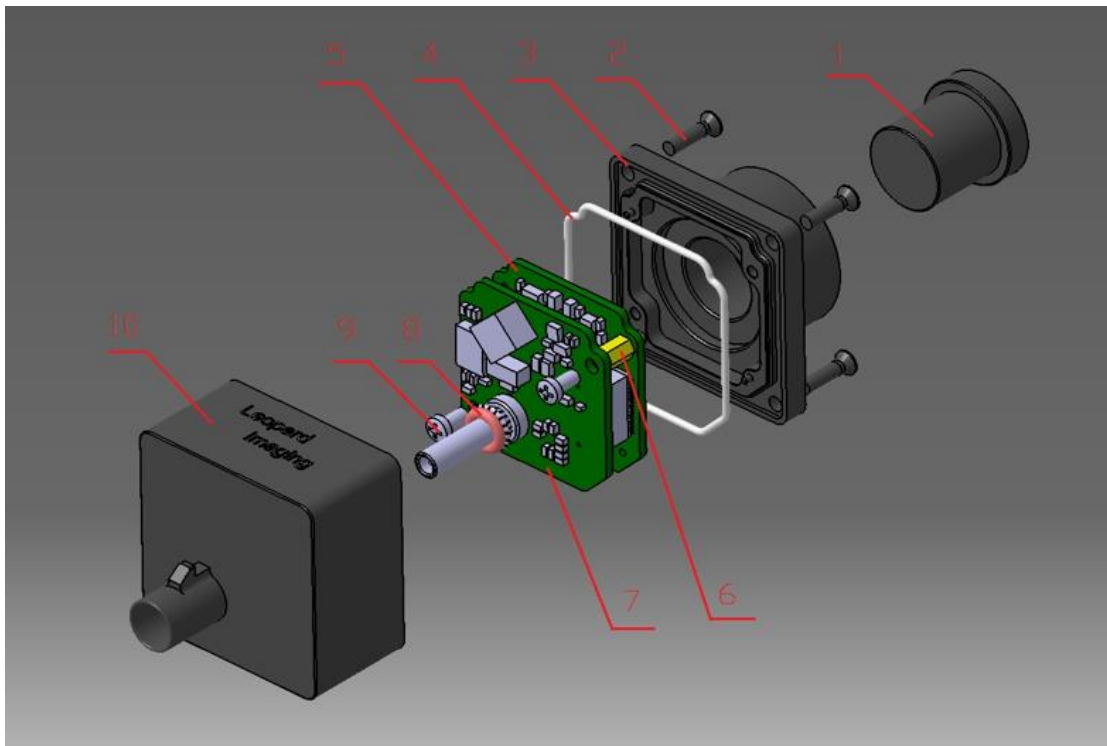


Leopard Imaging Inc.

48820 Kato Rd, Suite 100B, Fremont, CA 94538, USA  
Phone: +1-408-263-0988  
Fax: +1-408-217-1960  
Email: sales@leopardimaging.com  
Website: www.leopardimaging.com

## BOM

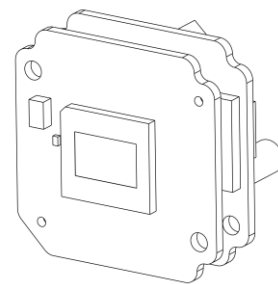
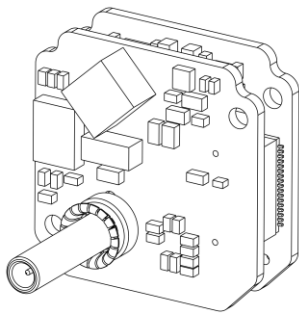
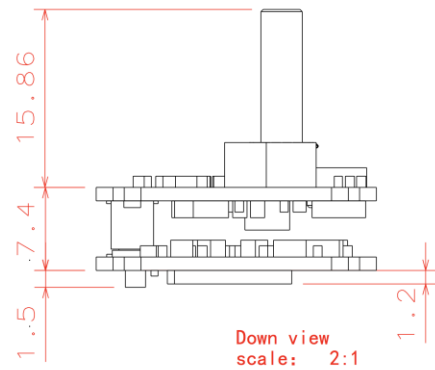
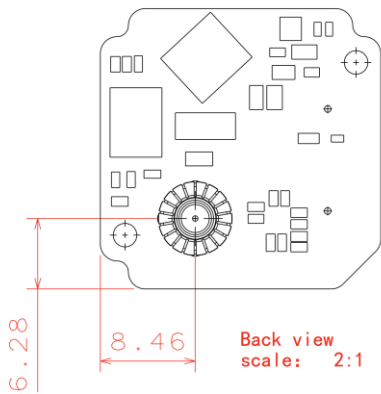
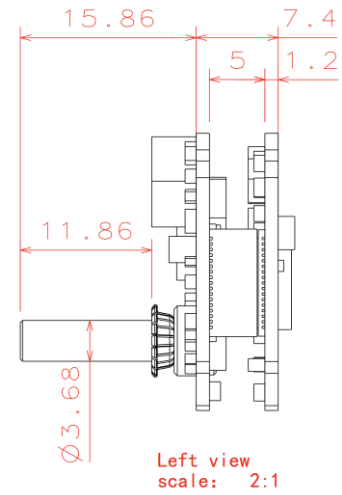
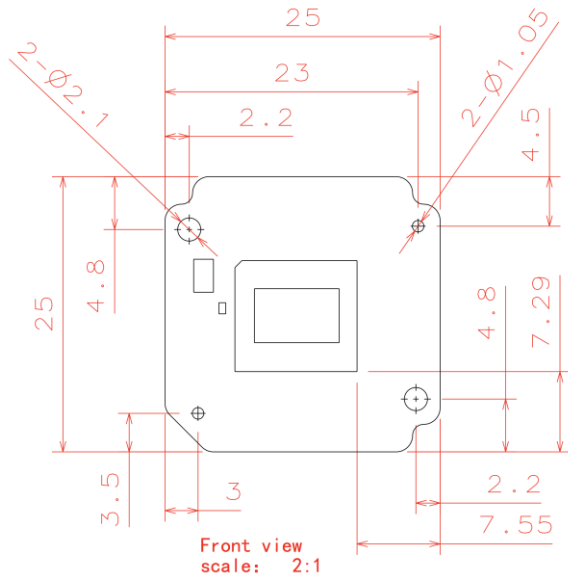
#	Name	SPEC	QTY/SET
1	Lens	M12 lens	1
2	Screw	M2*8 cross flat head black ZINC	4
3	Shell 2	AL6061-T6 BLACK Anodizing	1
4	Sealing ring	Silicon rubber, White	1
5	LI-S5K2G1-MIPI	S5K2G1 sensor board	1
6	Copper pillar	M2*5+3	2
7	LI-GMSL2-FKR	GMSL2 board	1
8	O ring	6.5*1.5 Silicon rubber Red	1
9	Screw	M2*4 cross pan head black ZINC	2
10	Shell 1	AL6061-T6 BLACK Anodizing	1



Leopard Imaging Inc.

48820 Kato Rd, Suite 100B, Fremont, CA 94538, USA  
 Phone: +1-408-263-0988  
 Fax: +1-408-217-1960  
 Email: sales@leopardimaging.com  
 Website: www.leopardimaging.com

# Camera boards Dimensions

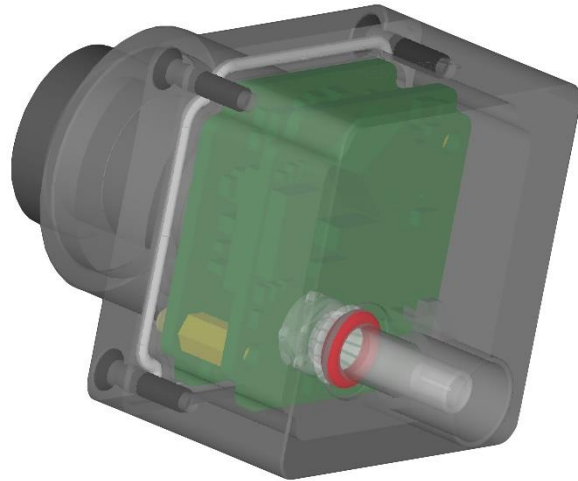


Leopard Imaging Inc.

48820 Kato Rd, Suite 100B, Fremont, CA 94538, USA  
 Phone: +1-408-263-0988  
 Fax: +1-408-217-1960  
 Email: sales@leopardimaging.com  
 Website: www.leopardimaging.com

## Water Proof

- Metal Housing
- Water-proof M12 lens
- Sealed Gasket (White)
- Sealed O-ring (Red)



## Cable Connector

- Housing Connector- FAKRA Z Type
- Cable length: 3 meters  
Support single Coax Cable transmit up to 15 meters
- Cable Part#: FAK-SMZSMZ-0008
- FAKRA type connectors



Leopard Imaging Inc.

48820 Kato Rd, Suite 100B, Fremont, CA 94538, USA  
Phone: +1-408-263-0988  
Fax: +1-408-217-1960  
Email: sales@leopardimaging.com  
Website: www.leopardimaging.com

## Ordering Information

**Part#: LI-S5K2G1-GMSL2-xxxH**

Note:

xxxH - 025H: FOV H 25°  
120H: FOV H 120°

LI-S5K2G1-GMSL2-025H	LI-S5K2G1-GMSL2-120H
	
<p>Lens: E3165C Lens EFL: 16 mm FOV(D): 27.6° FOV(H): 24.8° FOV(V): 12.4°</p>	<p>Lens: E 3360A Lens EFL: 4 mm FOV(D): 130° FOV(H): 117.1° FOV(V): 60.2°</p>



Leopard Imaging Inc.

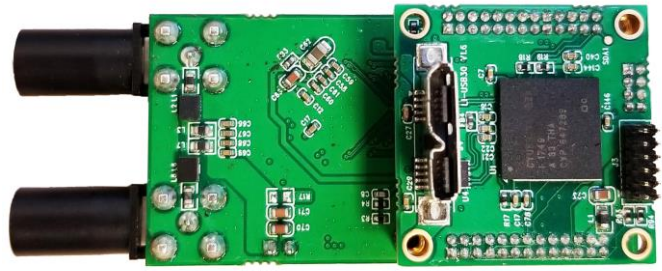
48820 Kato Rd, Suite 100B, Fremont, CA 94538, USA  
Phone: +1-408-263-0988  
Fax: +1-408-217-1960  
Email: sales@leopardimaging.com  
Website: www.leopardimaging.com

## LI-GMSL2-DESER



Front View

## LI-USB30-CNTL



Back View

LI-S5K2G1-GMSL2-xxxH can connect to USB 3.0 EVA module as a USB 3.0 camera.  
Part#: **LI-USB30-S5K2G1-GMSL2-xxxH**

## Key Features

- USB 3.0 Super Speed support
- RAW data output without compression
- UVC compliance
- Provide customization services
- 12VDC Power Supply
- Weight: 86 g
- Single Coax Cable transmit up to 15 meter PoC(Power over Cable)
- Support 3840x1920
- Power consumption: TBD
- Support Windows, Linux OS and other OS which include UVC drivers

## SDK Supported

- Camera Tool Source Code in C#
- Capture & Display
- Save file as BMP & RAW format
- Support register access function



Leopard Imaging Inc.

48820 Kato Rd, Suite 100B, Fremont, CA 94538, USA  
Phone: +1-408-263-0988  
Fax: +1-408-217-1960  
Email: sales@leopardimaging.com  
Website: www.leopardimaging.com

## Revision History

Revision	Description	Release Date
1.0	First Release	11. Mar. 2019
1.1	Keep RCCB sensor only	2. Apr. 2019



Leopard Imaging Inc.

48820 Kato Rd, Suite 100B, Fremont, CA 94538, USA  
Phone: +1-408-263-0988  
Fax: +1-408-217-1960  
Email: [sales@leopardimaging.com](mailto:sales@leopardimaging.com)  
Website: [www.leopardimaging.com](http://www.leopardimaging.com)