



LEOPARD IMAGING INC

LI-PI-IPEX-1233-ADPT

Data Sheet

Technical details

- Convert 15-pin Jetson Nano or Raspberry Pi camera interface to 30-pin I-PEX interface
- 15-pin connector: 1-1734248-5
- 30-pin connector: 20525-030E-02C
- Board size: 40mm x 30mm
- Cable length: 100mm
- Part#: [LI-PI-IPEX-1233-ADPT](#)

BOM

#	Items	QTY
1	LI-PI-IPEX-MIPI-ADP-BOARD	1
2	FAW-1233-01 (100mm)	1



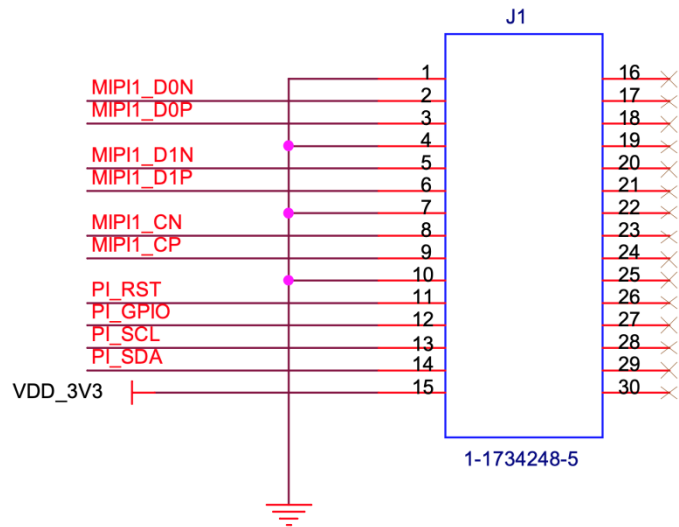
Leopard Imaging Inc.

48820 Kato Rd, Suite 100B, Fremont, CA 94538, USA
Phone: +1-408-263-0988
Fax: +1-408-217-1960
Email: sales@leopardimaging.com
Website: www.leopardimaging.com

Interfaces (LI-PI-IPEX-MIPI-ADP-BOARD)

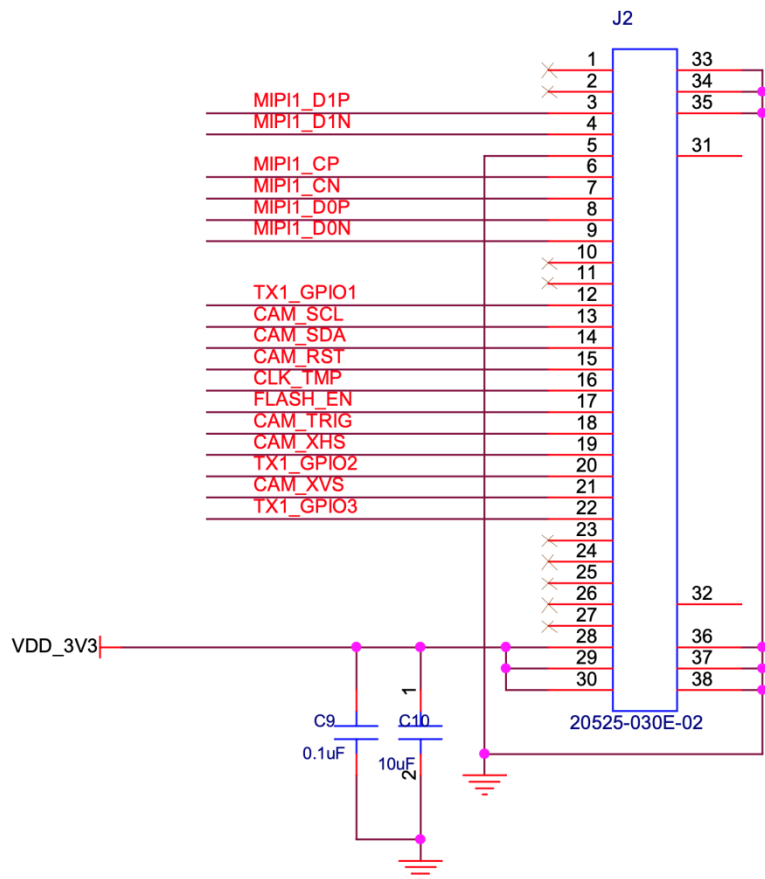
Interface J1 (To camera module)

- Part#: 1-1734248-5
- Number of Positions: 15
- Pitch: 1 mm
- FFC, FCB Thickness: 0.30mm



Interface J2 (To FAW-1233 cable)

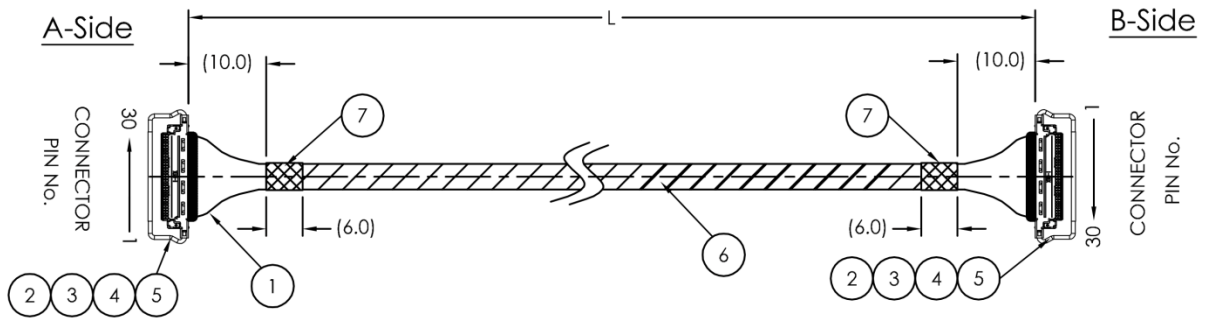
- Part#: 20525-030E-02C
- Number of Positions: 30
- Pitch: 0.4mm
- Mating I-PEX cable: FAW-1233-xx



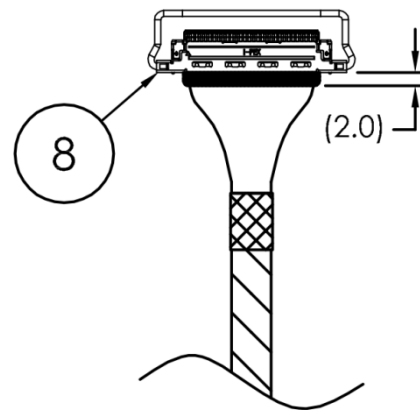
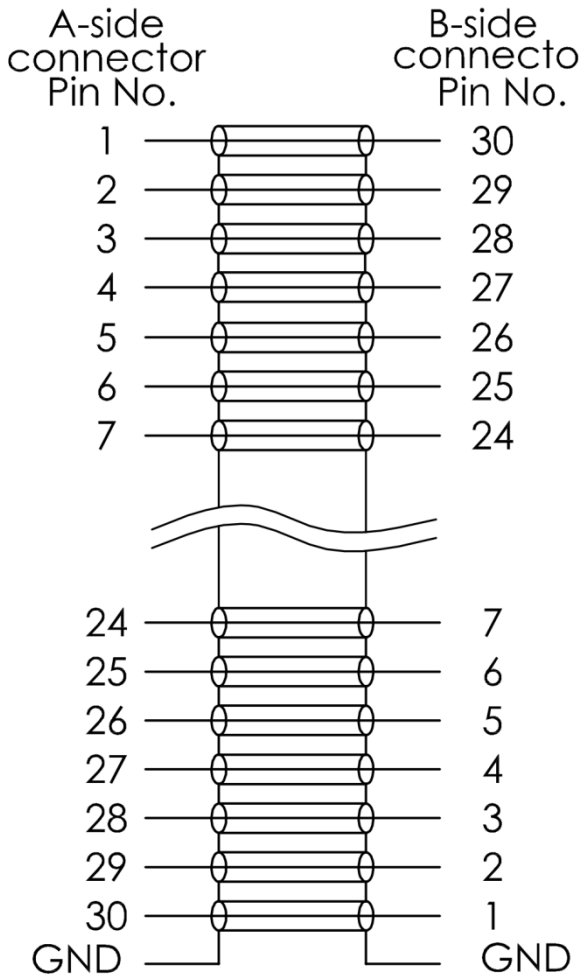
Leopard Imaging Inc.

48820 Kato Rd, Suite 100B, Fremont, CA 94538, USA
 Phone: +1-408-263-0988
 Fax: +1-408-217-1960
 Email: sales@leopardimaging.com
 Website: www.leopardimaging.com

FAW-1233-01 cable



WIRING



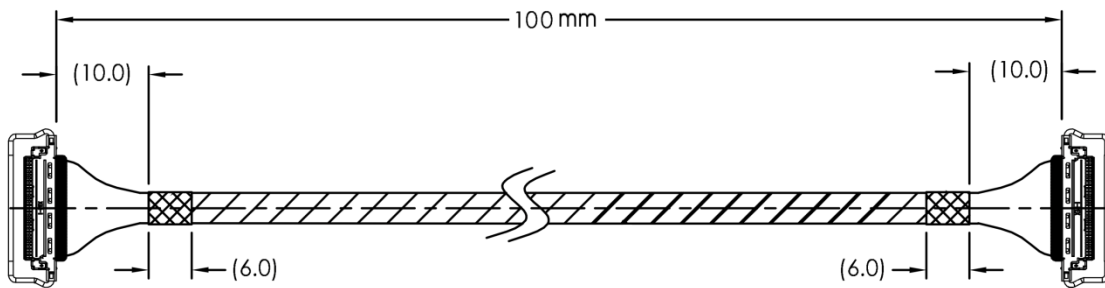
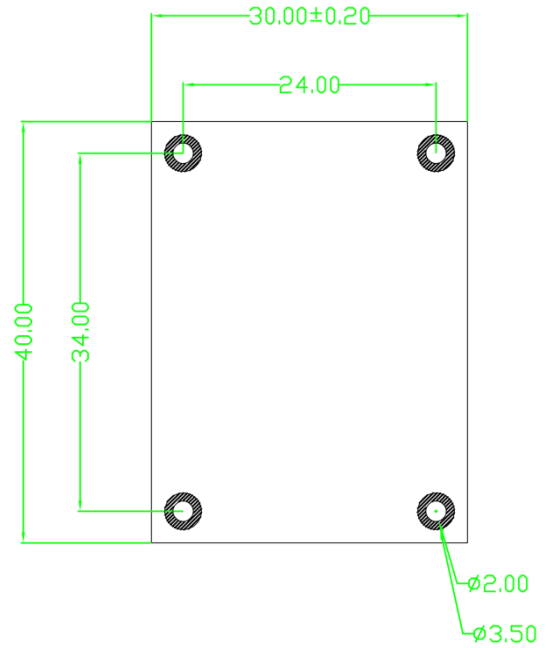
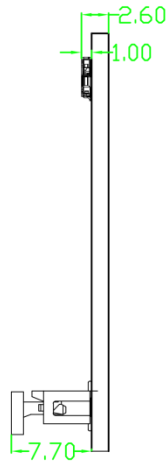
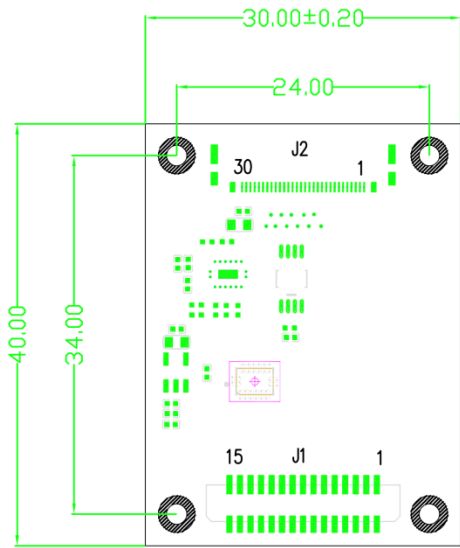
8	UV RESIN	2	LOCBOND P/N : LOCBOND 349
7	TAPE	2	CHUKOH P/N: ASF-116T
6	TAPE	1	CHUKOH P/N: SEF-110
5	FLAT COPPER WIRE	4	GROUND BAR
4	PULL BAR	2	I-PEX P/N : 2766-0301
3	SHIELD PLATE	2	I-PEX P/N : 2764-0301-002
2	CONNECTOR	2	I-PEX P/N : 20634-130T-02
1	CABLE	30	UL10231 AWG40 MCX (Z=50ohm)
ITEM	DESCRIPTION	Q'TY	REMARK



Leopard Imaging Inc.

48820 Kato Rd, Suite 100B, Fremont, CA 94538, USA
 Phone: +1-408-263-0988
 Fax: +1-408-217-1960
 Email: sales@leopardimaging.com
 Website: www.leopardimaging.com

Dimensions



Leopard Imaging Inc.

48820 Kato Rd, Suite 100B, Fremont, CA 94538, USA
Phone: +1-408-263-0988
Fax: +1-408-217-1960
Email: sales@leopardimaging.com
Website: www.leopardimaging.com

Revision History

Revision	Description	Release Date
1.0	First Release	16. Oct. 2019



Leopard Imaging Inc.

48820 Kato Road, Suite 100B, Fremont, CA 94538, USA
Phone: +1-408-263-0988
Fax: +1-408-217-1960
Email: sales@leopardimaging.com
Website: www.leopardimaging.com