



LEOPARD IMAGING INC

LI-OV2778-GW5400-GMSL2-xxxH

Data Sheet

Key Features

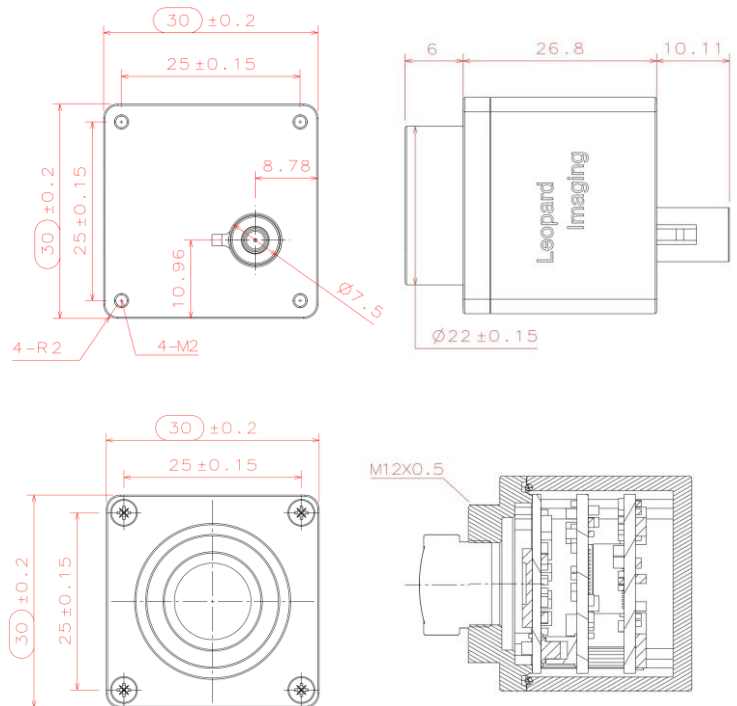
- OmniVision 2MP RGB-IR CMOS Image Sensor OV2778
- Optical format: 1/2.9"
- Resolution: 1920 (H) x 1080 (V)
- Pixel size: 2.8 x 2.8 μm
- YUV output without compression
- Includes GEO Semi GW5400 ISP
- Support HDR
- Lens: FOV H 126°
- Built-in 650nm + 940nm Dual band filter
- GMSL2 Serializer
- Connector: FAKRA Z TYPE
- Water proof: IPX9K
- Operation Temp: -30 ~ +85 °C
- Storage Temp: -40 ~ +105 °C
- Weight: ~ 50 g
- Part#:
LI-OV2778-GW5400-GMSL2-xxxH



Application

- Interior and in-cabin applications
 - Occupant monitoring
 - Rear occupant/child detection
 - Parcel detection

Dimensions



USA Office
48820 Kato Rd, Suite 100B, Fremont, CA 95035, USA
Phone: +1-408-263-0988
Fax: +1-408-217-1960
Email: sales@leopardimaging.com
Website: www.leopardimaging.com

Shanghai Office (China)

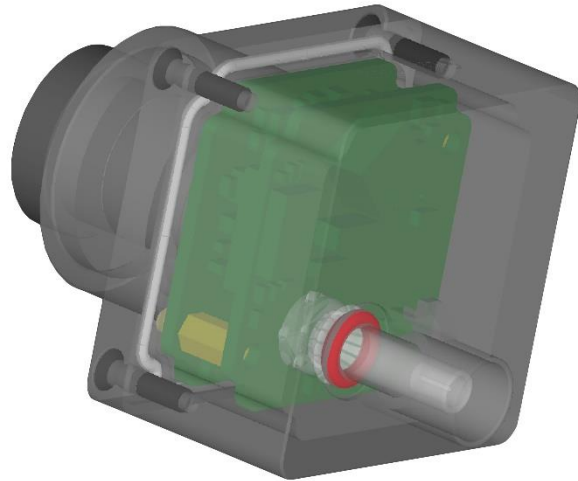
上海市闵行区宜山路 1618 号新意城 A 座 9 楼 A910, 201103
Phone: + 86-139-1857-8492
王斌(Robin Wang)
Email: robinw@leopardimaging.com



Water Proof

- Metal Housing
- Water-proof M12 lens
- Sealed Gasket (White)
- Sealed O-ring (Red)

Note: The lens must be glued for water proof.



Cable Connector

- Housing Connector- FAKRA Z Type
- Cable length: 3 meters
Support single Coax Cable transmit up to 12 meters
- Cable Part#: FAK-SMZSMZ-3M
- FAKRA type connectors



USA Office
48820 Kato Rd, Suite 100B, Fremont, CA 95035, USA
Phone: +1-408-263-0988
Fax: +1-408-217-1960
Email: sales@leopardimaging.com
Website: www.leopardimaging.com

Shanghai Office (China)

上海市闵行区宜山路 1618 号新意城 A 座 9 楼 A910, 201103
Phone: + 86-139-1857-8492
王斌(Robin Wang)
Email: robinw@leopardimaging.com

Ordering Information

Part#: LI-OV2778-GW5400-GMSL2-xxxH

Note:

xxxH - 126H: FOV H 126°

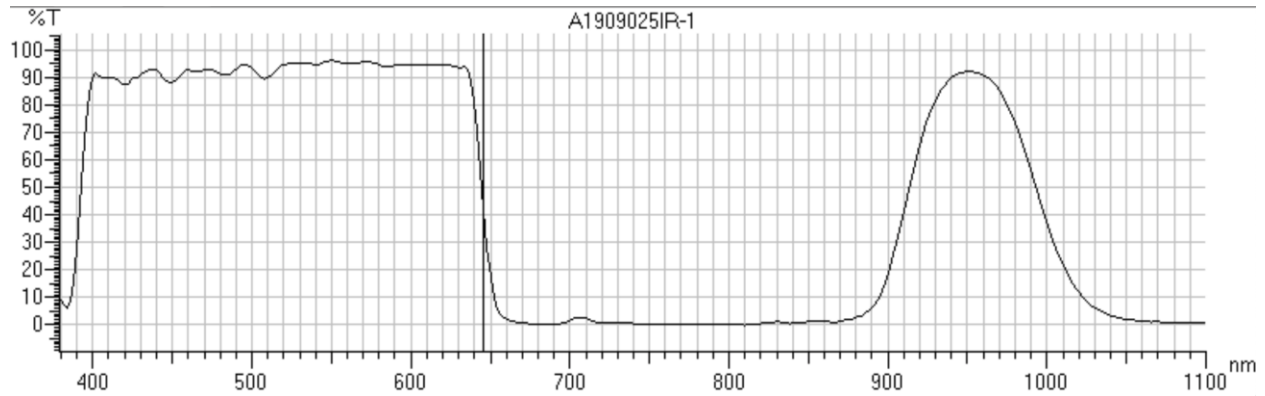


USA Office
48820 Kato Rd, Suite 100B, Fremont, CA 95035, USA
Phone: +1-408-263-0988
Fax: +1-408-217-1960
Email: sales@leopardimaging.com
Website: www.leopardimaging.com

Shanghai Office (China)

上海市闵行区宜山路 1618 号新意城 A 座 9 楼 A910, 201103
Phone: + 86-139-1857-8492
王斌(Robin Wang)
Email: robinw@leopardimaging.com

650nm + 940nm Dual band filter



Peak #	Start (nm)	Apex (nm)	End (nm)	Height (%T)	Area (%T*nm)	Valley (nm)	Valley (%T)
1	1100.00	1080.00	946.00	0.93	4677.65	946.00	93.33
2	946.00	858.00	842.00	0.26	3725.43	842.00	1.61
3	842.00	780.00	732.00	0.02	24.53	732.00	0.76
4	732.00	722.00	706.00	0.57	31.33	706.00	2.67
5	706.00	684.00	600.00	0.34	4220.24	600.00	95.33
6	600.00	574.00	560.00	93.01	3970.43	560.00	95.56
7	560.00	550.00	540.00	95.08	2097.31	540.00	95.63
8	540.00	506.00	494.00	90.45	4495.85	494.00	95.00
9	494.00	478.00	470.00	91.57	2418.99	470.00	92.99
10	470.00	448.00	436.00	87.92	3283.20	436.00	93.00



USA Office
 48820 Kato Rd, Suite 100B, Fremont, CA 95035, USA
 Phone: +1-408-263-0988
 Fax: +1-408-217-1960
 Email: sales@leopardimaging.com
 Website: www.leopardimaging.com

Shanghai Office (China)

上海市闵行区宜山路 1618 号新意城 A 座 9 楼 A910, 201103
 Phone: + 86-139-1857-8492
 王斌(Robin Wang)
 Email: robinw@leopardimaging.com

LI-GMSL2-FP-USB-BOX



LI-OV2778-GW5400-GMSL2 can connect to LI-GMSL2-FP-USB-BOX as a USB 3.0 camera. Part#: [LI-USB30-OV2778-GW5400-GMSL2-xxxH](#)

Key Features

- USB 3.0 Super Speed support
- YUV output without compression
- Support HDR
- Support RGB and IR mode
- UVC compliance
- Provide customization services
- 12 VDC Power Supply (Comes with camera)
- Weight: ~ 178 g
- Single Coax Cable transmit up to 12 meter PoC(Power over Cable)
- Support 1920 x 1080 @ 30 fps
- Power consumption: TBD
- Support Windows, Linux OS and other OS which include UVC drivers



SDK Supported

- Camera Tool Source Code in C#
- Capture & Display



USA Office
48820 Kato Rd, Suite 100B, Fremont, CA 95035, USA
Phone: +1-408-263-0988
Fax: +1-408-217-1960
Email: sales@leopardimaging.com
Website: www.leopardimaging.com

Shanghai Office (China)

上海市闵行区宜山路 1618 号新意城 A 座 9 楼 A910, 201103
Phone: + 86-139-1857-8492
王斌(Robin Wang)
Email: robinw@leopardimaging.com

Revision History

Revision	Description	Release Date
1.0	First Release	5. Sep. 2019
1.1	Change the lens to HJ6074L	15. Nov. 2019
1.2	Change the ISP to GW5400	1. Sep. 2020
1.3	Change lens to 126H and USB3.0 Tester to FP version	30. Jan. 2021



USA Office
48820 Kato Rd, Suite 100B, Fremont, CA 95035, USA
Phone: +1-408-263-0988
Fax: +1-408-217-1960
Email: sales@leopardimaging.com
Website: www.leopardimaging.com

Shanghai Office (China)

上海市闵行区宜山路 1618 号新意城 A 座 9 楼 A910, 201103
Phone: + 86-139-1857-8492
王斌(Robin Wang)
Email: robinw@leopardimaging.com