



LEOPARD IMAGING INC

# LI-OV2775-GMSL2-xxxH

## Data Sheet

### Key Features

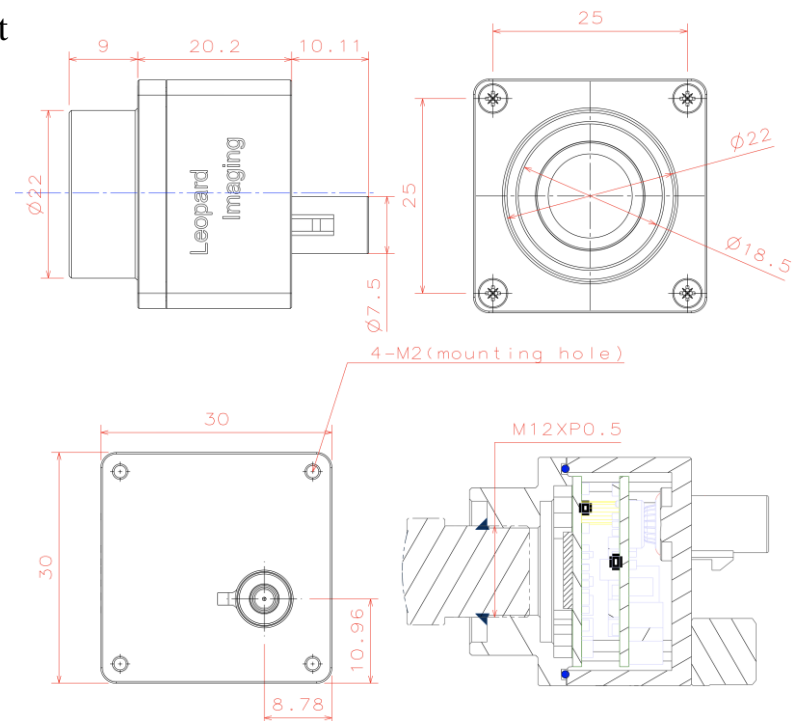
- OmniVision CMOS 2M Image Sensor OV2775
- Optical format: 1/2.9"
- Number of active pixels: 1920H x 1080V
- Pixel size: 2.8  $\mu\text{m}$  x 2.8  $\mu\text{m}$
- Output 12 bit Raw data
- 27MHz clock input
- Support 12V Power
- Lens: HFOV 56° /113° /200°
- GMSL2 Serializer
- Connector: FAKRA Z TYPE
- Water proof: IP67
- Operation Temp: -40 ~ 85 °C ambient temp; -40 ~ 125 °C junction temp
- Size: 30 x 30 x 29.2 mm
- Weight: 45 g
- Part#: **LI-OV2775-GMSL2-xxxH**



### Application

- Autonomous driving
- Camera monitoring system
- Rear view camera

### Dimensions

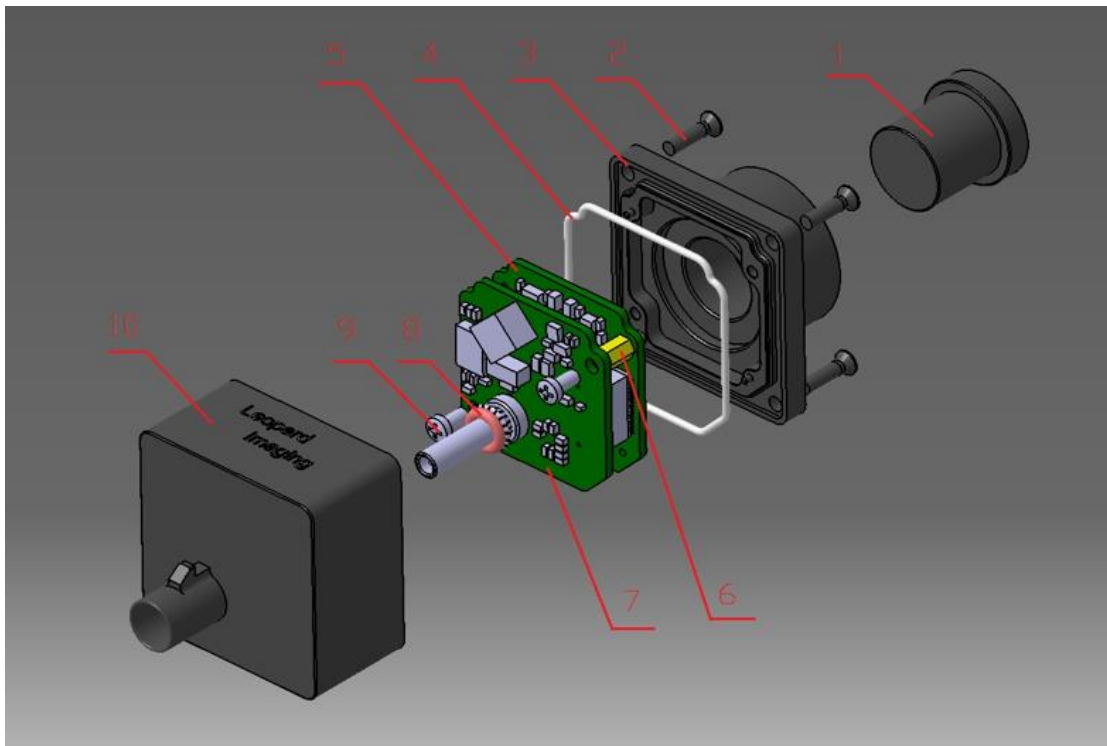


Leopard Imaging Inc.

1130 Cadillac Ct., Milpitas, CA 95035, USA  
Phone: +1-408-263-0988  
Fax: +1-408-217-1960  
Email: sales@leopardimaging.com  
Website: www.leopardimaging.com

# BOM

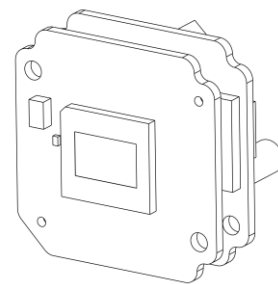
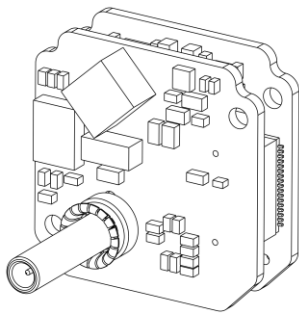
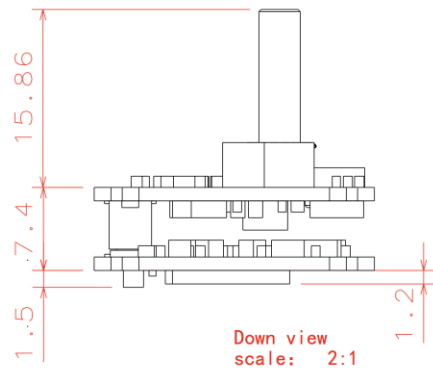
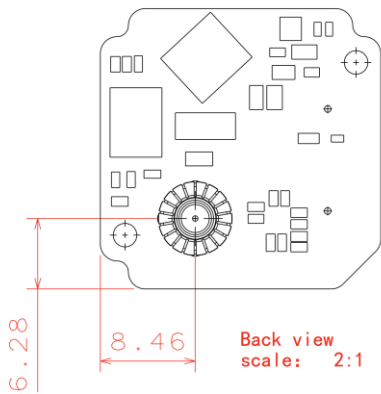
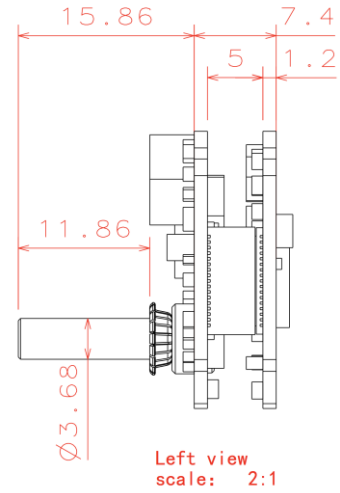
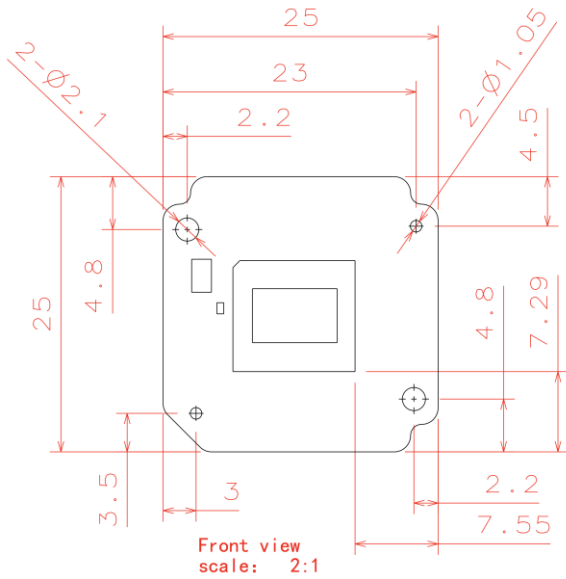
#	Name	SPEC	QTY/SET
1	Lens	M12 lens	1
2	Screw	M2*8 cross flat head black ZINC	4
3	Shell 2	AL6061-T6 BLACK Anodizing	1
4	Sealing ring	Silicon rubber, White	1
5	LI-OV2775-MIPI	OV2775 sensor board	1
6	Copper pillar	M2*5+3	2
7	LI-GMSL2-FKR	GMSL2 board	1
8	O ring	6.5*1.5 Silicon rubber Red	1
9	Screw	M2*4 cross pan head black ZINC	2
10	Shell 1	AL6061-T6 BLACK Anodizing	1



Leopard Imaging Inc.

1130 Cadillac Ct., Milpitas, CA 95035, USA  
 Phone: +1-408-263-0988  
 Fax: +1-408-217-1960  
 Email: sales@leopardimaging.com  
 Website: www.leopardimaging.com

# Camera boards Dimensions

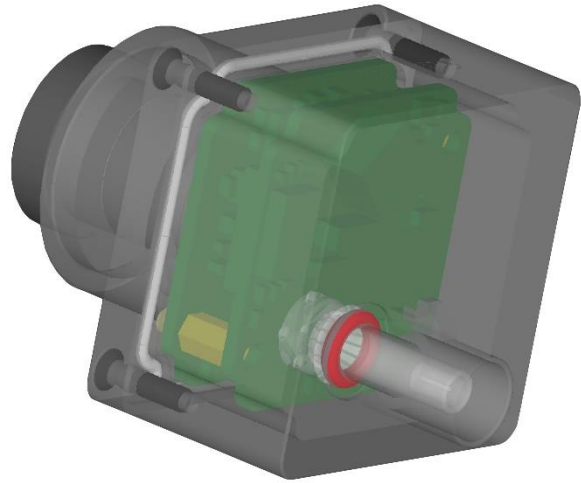


Leopard Imaging Inc.

1130 Cadillac Ct., Milpitas, CA 95035, USA  
 Phone: +1-408-263-0988  
 Fax: +1-408-217-1960  
 Email: sales@leopardimaging.com  
 Website: www.leopardimaging.com

## Water Proof

- Metal Housing
- Water-proof M12 lens
- Sealed Gasket (White)
- Sealed O-ring (Red)



## Cable Connector

- Housing Connector- FAKRA Z Type
- Cable length: 3 meters  
Support single Coax Cable transmit up to 15 meters
- Cable Part#: FAK-SMZSMZ-0008
- FAKRA type connectors



Leopard Imaging Inc.

1130 Cadillac Ct., Milpitas, CA 95035, USA  
Phone: +1-408-263-0988  
Fax: +1-408-217-1960  
Email: sales@leopardimaging.com  
Website: www.leopardimaging.com

## Ordering Information

**Part#: LI-OV2775-GMSL2-xxxH**

Note:

xxxH - 056H: FOV H 56°  
 113H: FOV H 113°  
 200H: FOV H 200°

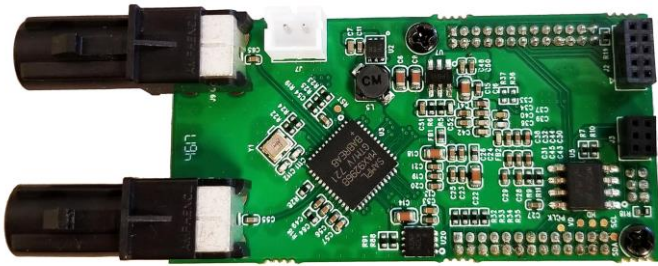
LI-OV2775-GMSL2-056H	LI-OV2775-GMSL2-113H	LI-OV2775-GMSL2-200H
		
<p>Lens: M127B0618W                      Lens EFL: 6.0 mm                      FOV(D): 66°                      FOV(H): 56°                      FOV(V): 31°</p>	<p>Lens: M128B02820WM12R1                      Lens EFL: 2.8 mm                      FOV(D): 130°                      FOV(H): 113°                      FOV(V): 63°</p>	<p>Lens: F132B0108WM12                      Lens EFL: 1.08 mm                      FOV(D): 200°                      FOV(H): 200°                      FOV(V): 170°</p>
		



Leopard Imaging Inc.

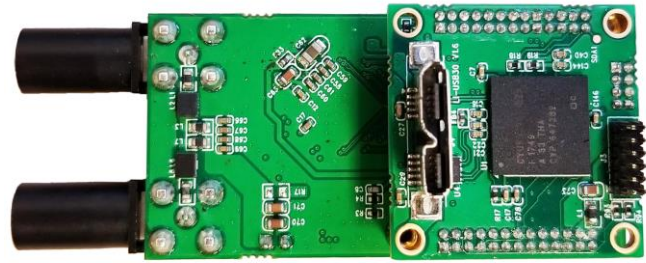
1130 Cadillac Ct., Milpitas, CA 95035, USA  
 Phone: +1-408-263-0988  
 Fax: +1-408-217-1960  
 Email: sales@leopardimaging.com  
 Website: www.leopardimaging.com

## LI-GMSL2-DESER



Front View

## LI-USB30-CNTL



Back View

LI-OV2775-GMSL2-xxxH can connect to USB 3.0 EVA module as a USB 3.0 camera.  
Part#: **LI-USB30-OV2775-GMSL2-xxxH**

## Key Features

- USB 3.0 Super Speed support
- RAW data output without compression
- UVC compliance
- Provide customization services
- 12VDC Power Supply
- Weight: 86 g
- Single Coax Cable transmit up to 15 meter PoC(Power over Cable)
- Support 1920x1080@30fps
- Power consumption: TBD
- Support Windows, Linux OS and other OS which include UVC drivers.

## SDK Supported

- Camera Tool Source Code in C#
- Capture & Display
- Save file as BMP & RAW format
- Support register access function.



## Revision History

Revision	Description	Release Date
1.0	First Release	12. Jan. 2018
1.1	Update lens FOV	30. Apr. 2018
1.2	Update spec information	18. Jun. 2018



Leopard Imaging Inc.

1130 Cadillac Ct., Milpitas, CA 95035, USA  
Phone: +1-408-263-0988  
Fax: +1-408-217-1960  
Email: [sales@leopardimaging.com](mailto:sales@leopardimaging.com)  
Website: [www.leopardimaging.com](http://www.leopardimaging.com)