



LEOPARD IMAGING INC

LI-OV2640-USB-M6 Data Sheet

Key Features

- Support 2M video streaming
- MJPEG compression
- USB 2.0 compliance
- Size: 60mmx9mm
- Low cost with high quality
- Customized based on customer's specs



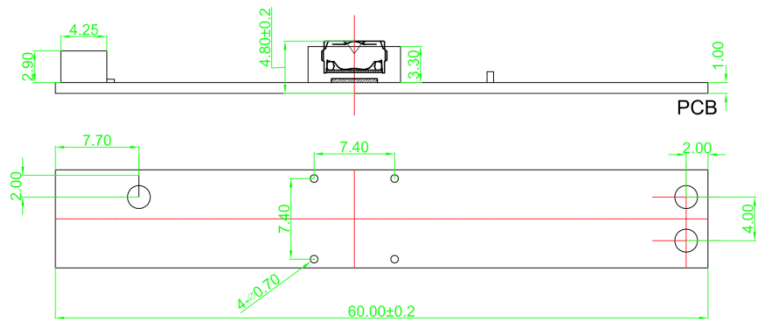
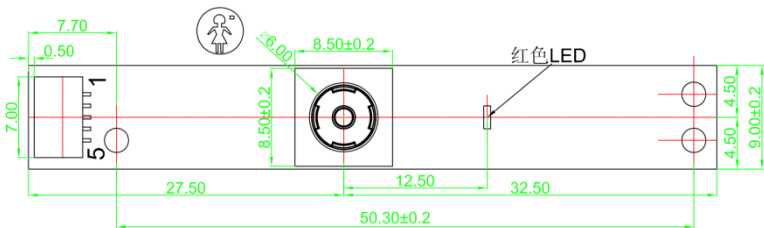
Lens Specification

- Focusing Range: 23cm to infinity
- Focal Length: 3.21mm
- F Number: 2.8
- Fov (D/H/V): 63 °/52 °/40 °
- TV Distortion: <1%
- Sensor: OV2640

Interface (SM05B-SRSS-TB)

5 Pin USB Connector (SM05B-SRSS-TB)	
Pin No.	Name
1	USB_5V
2	USB_DM
3	USB_DP
4	GND
5	Shield_Ground

Dimensions



Leopard Imaging Inc.

48820 Kato Rd, Suite 100B, Fremont, CA 94538, USA
 Phone: +1-408-263-0988
 Fax: +1-408-217-1960
 Email: sales@leopardimaging.com
 Website: www.leopardimaging.com

Specification

General Behavior	
Video Resolution @ Frame rate	1600 x 1200 MJPEG @ 15 fps 1280 x 1024 MJPEG @ 7 fps 800 x 600 MJPEG @ 30 fps 640 x 480 MJPEG @ 30 fps 352 x 288 MJPEG @ 30 fps 320 x 240 MJPEG @ 30 fps
Adjustment	TBD
Interface (Optical)	
Sensor specification	OmniVision OV2640 CMOS UXGA sensor
Shutter	Rolling
Format	1/4"
Resolution	H:1600, V:1200
Pixel size	H:2.2 um, V: 2.2 um
Sensitivity	0.6 V/Lux-sec
S/N Ratio	40 dB
Dynamic Range	50 dB
Dark Current	15 mV/s at 60 °C
Lens	M6 lens
Interface (Electrical)	
Interface	USB 2.0
Supply voltage	USB 2.0 +5 VDC power source
Current consumption	Approx. 150 mA at 5 VDC
Interface (Mechanical)	
Dimensions	L: 60 mm, W: 9 mm, H: 4.8 mm
Mass	8 g
Environmental	
Max. temperature (stable image)	0 °C ~ 50 °C (32 °F~ 122 °F)
Max. temperature (operation)	-10 °C ~ 60 °C (14 °F~ 140 °F)
Max. temperature (storage)	-20 °C ~ 80 °C (-4 °F~176 °F)
Max. humidity (operation)	20 % ~ 80 %, relative, non-condensing
Max. humidity (storage)	20 % ~ 80 %, relative, non-condensing



Leopard Imaging Inc.

48820 Kato Rd, Suite 100B, Fremont, CA 94538, USA
Phone: +1-408-263-0988
Fax: +1-408-217-1960
Email: sales@leopardimaging.com
Website: www.leopardimaging.com