



LEOPARD IMAGING INC

# LI-IMX424-FPDLINKIII-xxxH

## Data Sheet

### Key Features

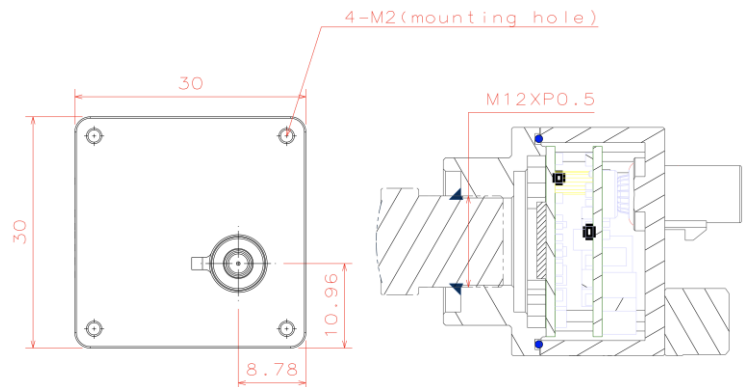
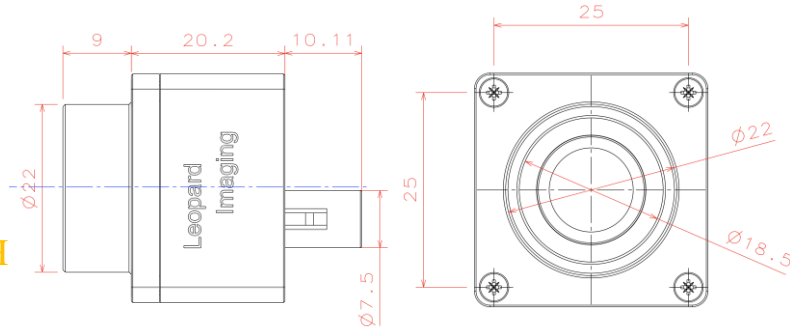
- Sony Diagonal 9.69mm (Type 1/1.7) CMOS Image Sensor IMX424
- Optical format: 1/1.7"
- Maximum resolution: 3849H x 1929V
- Pixel size: 2.25 um x 2.25 um
- Output 12 bit Raw data
- Support 12V Power
- Lens: FOV H 40 / 65 / 120
- TI953 FPD-Link III serializer
- Connector: FAKRA Z TYPE
- Water proof: IP67
- Operation Temp: -40 ~ 85 °C
- Storage Temp: -40 ~ 105 °C
- Size: 30 x 30 x 20.2 mm
- Weight: 45 g
- Part#: **LI-IMX424-FPDLINKIII-xxxH**



### Application

- Automotive ADAS
- Automotive Rear View or Backup

### Dimensions

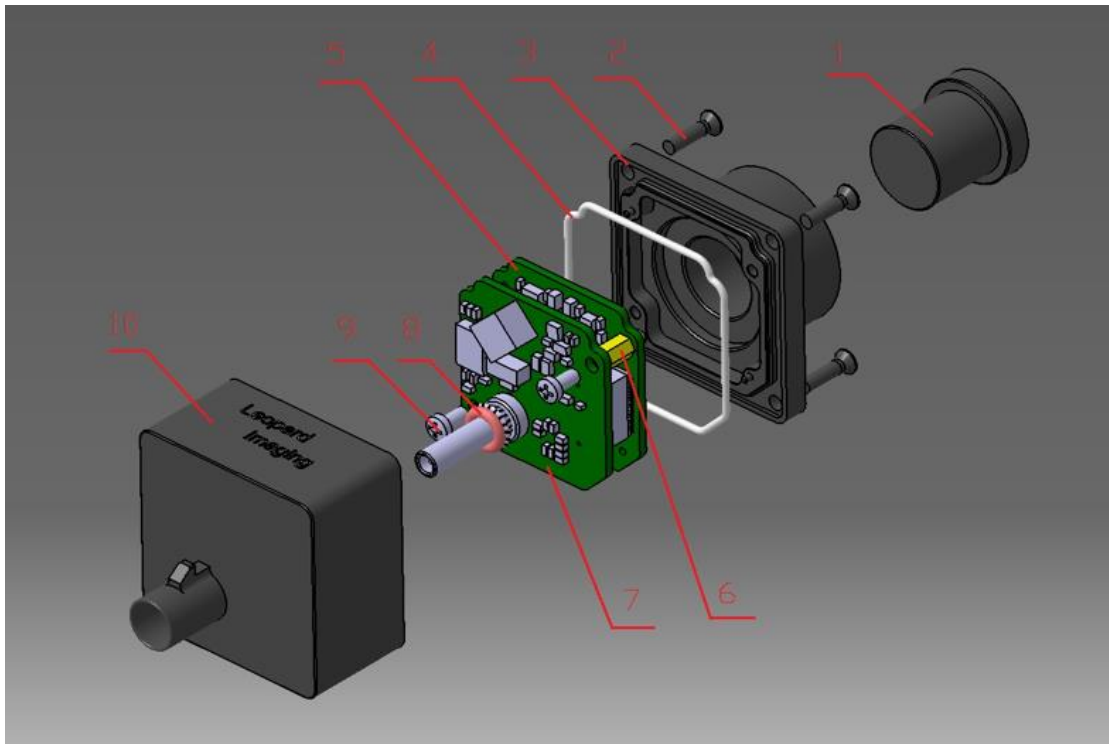


Leopard Imaging Inc.

48820 Kato Rd, Suite 100B, Fremont, CA 94538, USA  
Phone: +1-408-263-0988  
Fax: +1-408-217-1960  
Email: sales@leopardimaging.com  
Website: www.leopardimaging.com

## BOM

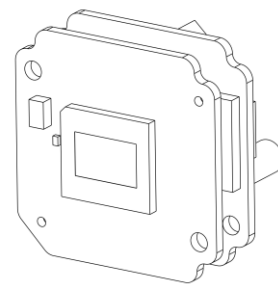
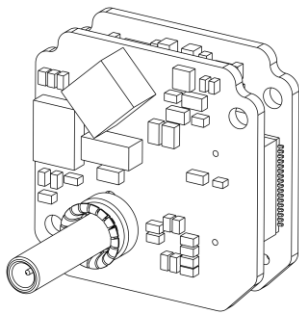
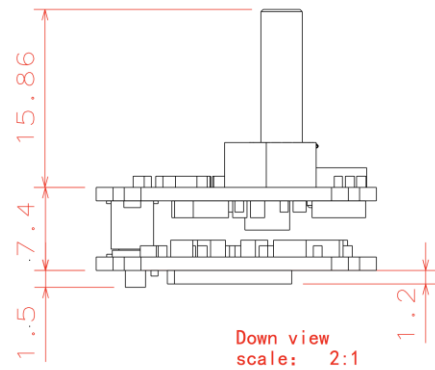
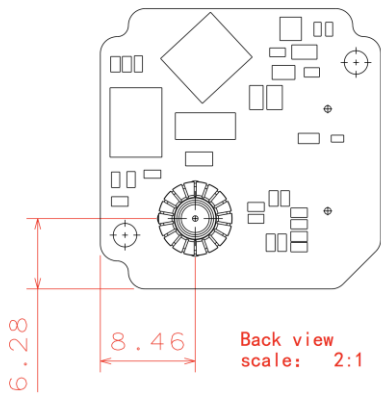
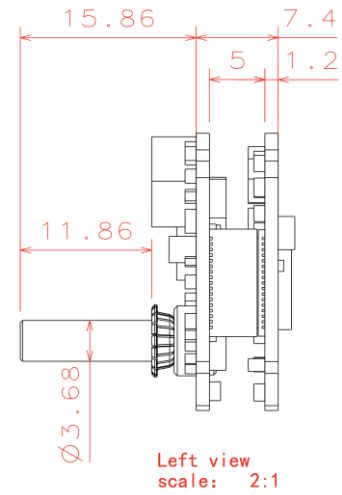
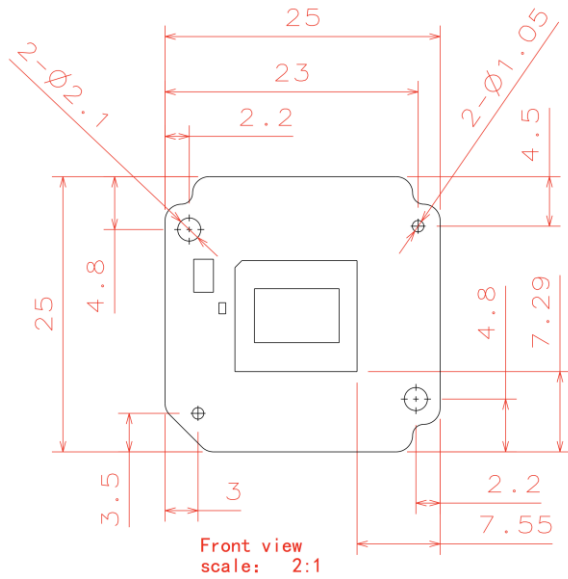
#	Name	SPEC	QTY/SET
1	Lens	DSL612 DSL608 Car-53	1
2	Screw	M2*8 cross flat head black ZINC	4
3	Shell 2	AL6061-T6 BLACK Anodizing	1
4	Sealing ring	Silicon rubber, White	1
5	LI-IMX424-MIPI-FKR	IMX424 sensor board	1
6	Copper pillar	M2*5+3	2
7	LI-TI953-FKR	FPD-Link III serializer board	1
8	O ring	6.5*1.5 Silicon rubber Red	1
9	Screw	M2*4 cross pan head black ZINC	2
10	Shell 1	AL6061-T6 BLACK Anodizing	1



Leopard Imaging Inc.

48820 Kato Rd, Suite 100B, Fremont, CA 94538, USA  
 Phone: +1-408-263-0988  
 Fax: +1-408-217-1960  
 Email: sales@leopardimaging.com  
 Website: www.leopardimaging.com

# Camera boards Dimensions

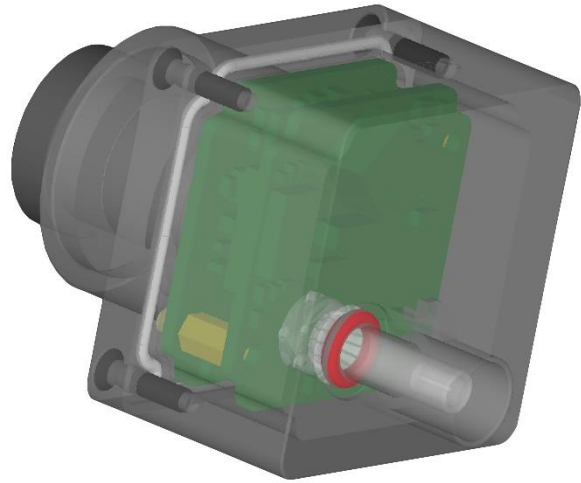


Leopard Imaging Inc.

48820 Kato Rd, Suite 100B, Fremont, CA 94538, USA  
 Phone: +1-408-263-0988  
 Fax: +1-408-217-1960  
 Email: sales@leopardimaging.com  
 Website: www.leopardimaging.com

## Water Proof

- Metal Housing
- Water-proof M12 lens
- Sealed Gasket (White)
- Sealed O-ring (Red)



## Cable Connector

- Housing Connector- FAKRA Z Type
- Cable length: 3 meters  
Support single Coax Cable transmit up to 12 meters
- Cable Part#: FAK-SMZSMZ-3M
- FAKRA type connectors



Leopard Imaging Inc.

48820 Kato Rd, Suite 100B, Fremont, CA 94538, USA  
Phone: +1-408-263-0988  
Fax: +1-408-217-1960  
Email: sales@leopardimaging.com  
Website: www.leopardimaging.com

## Ordering Information

**Part#: LI-IMX424- FPDLINKIII -xxxH**

Note:

xxxH - 040H: FOV H 40°  
 065H: FOV H 65°  
 120H: FOV H 120°

LI-IMX424-FPDLINKIII-040H	LI-IMX424-FPDLINKIII-065H	LI-IMX424-FPDLINKIII-120H
		
<p>Lens: DSL612                      Lens EFL: 11.9 mm                      F/#: 2.0                      FOV(D): 44.5°                      FOV(H): 39°                      FOV(V): 20°                      Mount: M12</p>	<p>Lens: DSL608                      Lens EFL: 7.9 mm                      F/#: 2.0                      FOV(D): 71.5°                      FOV(H): 64.5°                      FOV(V): 32°                      Mount: M12</p>	<p>Lens: CAR-53                      Lens EFL: 4.47 mm                      F/#: 1.6                      FOV(D): 133.6°                      FOV(H): 118.7°                      FOV(V): 52.2°                      Mount: M16</p>

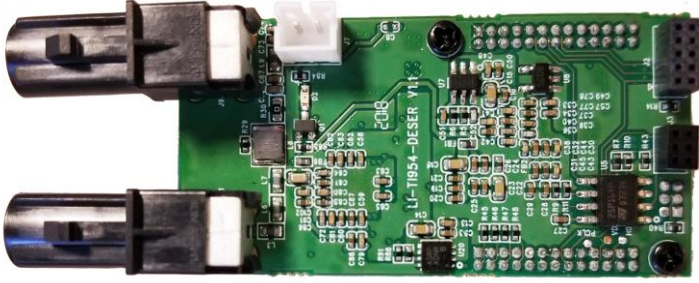


Leopard Imaging Inc.

48820 Kato Rd, Suite 100B, Fremont, CA 94538, USA  
 Phone: +1-408-263-0988  
 Fax: +1-408-217-1960  
 Email: sales@leopardimaging.com  
 Website: www.leopardimaging.com

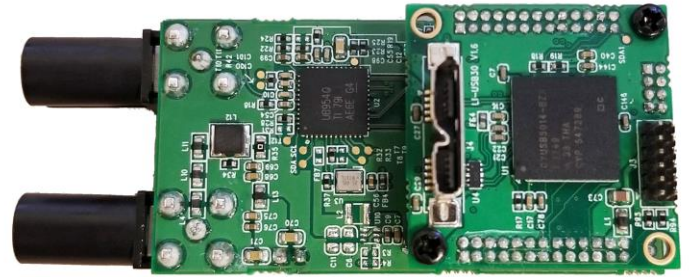
# LI-USB30-IMX424-FPDLINKIII-xxxH

## LI-TI954-DESER



Front View

## LI-USB30-CNTL



Back View

LI-IMX424- FPDLINKIII can connect to USB 3.0 EVA module as a USB 3.0 camera.  
Part#: **LI-USB30-IMX424-FPDLINKIII-xxxH**

## Key Features

- USB 3.0 Super Speed support
- RAW data output without compression
- UVC compliance
- Provide customization services
- USB +5VDC powered device
- Weight: 86 g
- Single Coax Cable transmit up to 12 meter PoC(Power over Cable)
- Support 3840x1928 @ 17fps
- Power consumption: Approx. 91mA at 12VDC
- Support Windows, Linux OS and other OS which include UVC drivers

## SDK Supported

- Camera Tool Source Code in C#
- Capture & Display
- Save file as BMP & RAW format
- Support register access function



Leopard Imaging Inc.

48820 Kato Rd, Suite 100B, Fremont, CA 94538, USA  
Phone: +1-408-263-0988  
Fax: +1-408-217-1960  
Email: sales@leopardimaging.com  
Website: www.leopardimaging.com

## Revision History

Revision	Description	Release Date
1.0	First Release	17. Aug. 2018
1.1	Update the lens information	24. Aug. 2018
1.2	Update the 120H lens to CAR-28	29. Apr. 2019
1.3	Add the DSL608 and DSL612 lens	6. Aug. 2019



Leopard Imaging Inc.

48820 Kato Rd, Suite 100B, Fremont, CA 94538, USA  
Phone: +1-408-263-0988  
Fax: +1-408-217-1960  
Email: [sales@leopardimaging.com](mailto:sales@leopardimaging.com)  
Website: [www.leopardimaging.com](http://www.leopardimaging.com)