



LEOPARD IMAGING INC

# LI-IMX390-FPDLINKIII-xxxH

## Data Sheet

### Key Features

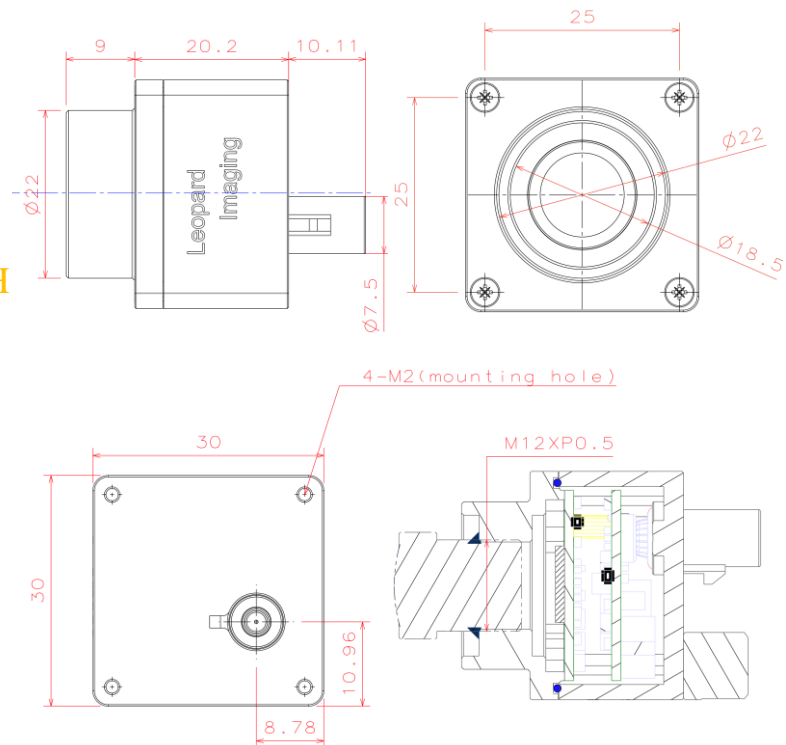
- Sony Diagonal 6.67mm (Type 1/2.7) CMOS Image Sensor IMX390
- Optical format: 1/2.7"
- Number of active pixels: 1937H x 1217V
- Pixel size: 3.0  $\mu\text{m}$  x 3.0  $\mu\text{m}$
- Output 12 bit Raw data
- Support 12V Power
- Lens: FOV H 60 / 120 / 200
- TI953 FPD-Link III serializer
- Connector: FAKRA Z TYPE
- Water proof: IP67
- Operation Temp: -40 ~ 85 °C
- Storage Temp: -40 ~ 105 °C
- Size: 30 x 30 x 20.2 mm
- Weight: 45 g
- Part#: **LI-IMX390-FPDLINKIII-xxxH**



### Application

- Automotive ADAS
- 1080p video applications

### Dimensions

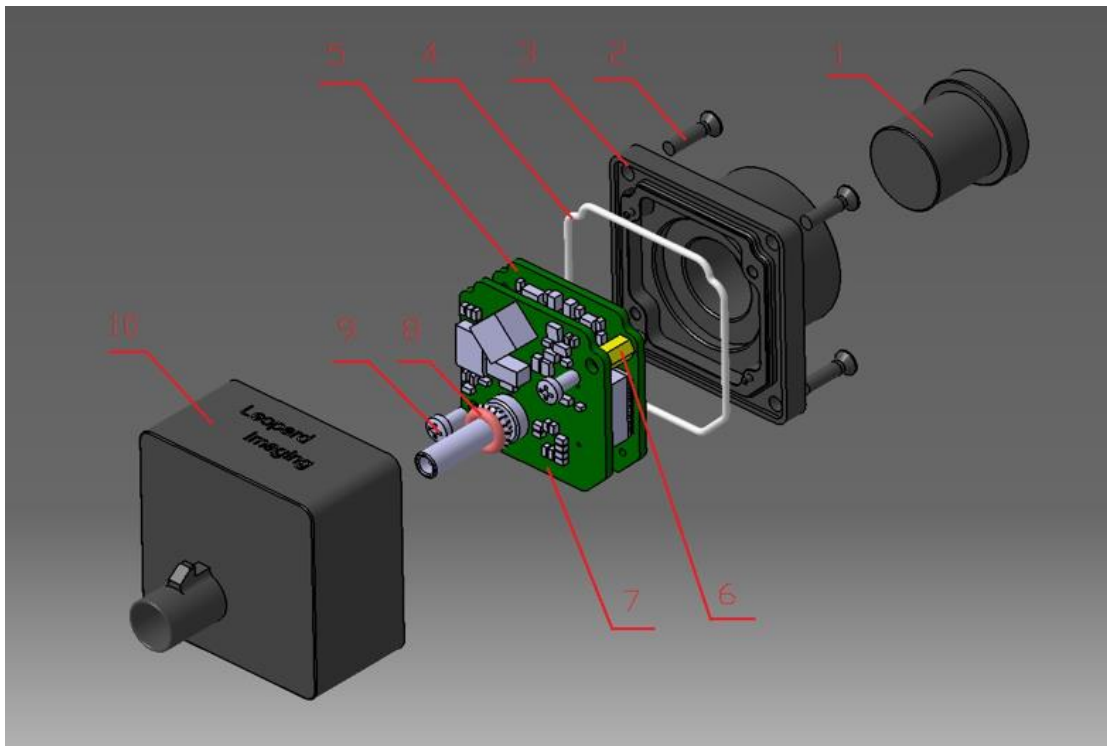


Leopard Imaging Inc.

48820 Kato Rd, Suite 100B, Fremont, CA 94538, USA  
Phone: +1-408-263-0988  
Fax: +1-408-217-1960  
Email: sales@leopardimaging.com  
Website: www.leopardimaging.com

## BOM

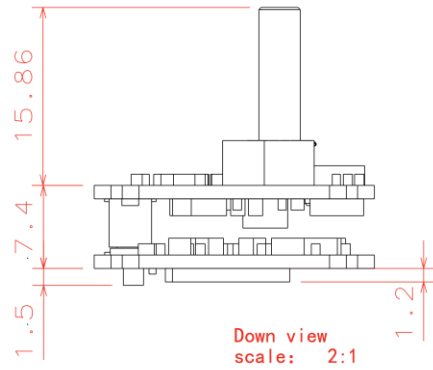
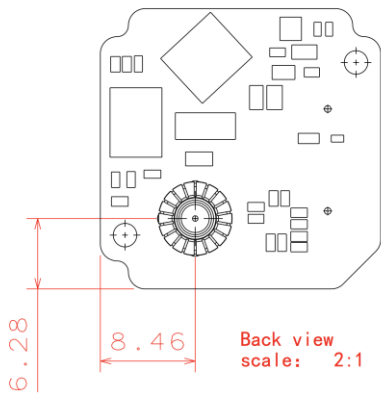
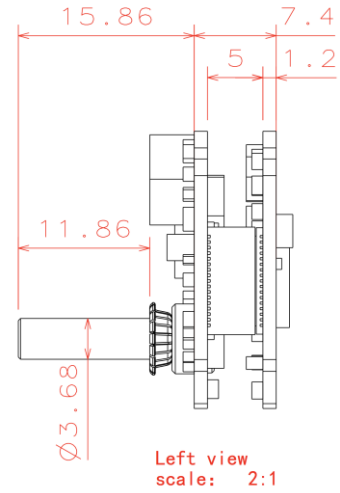
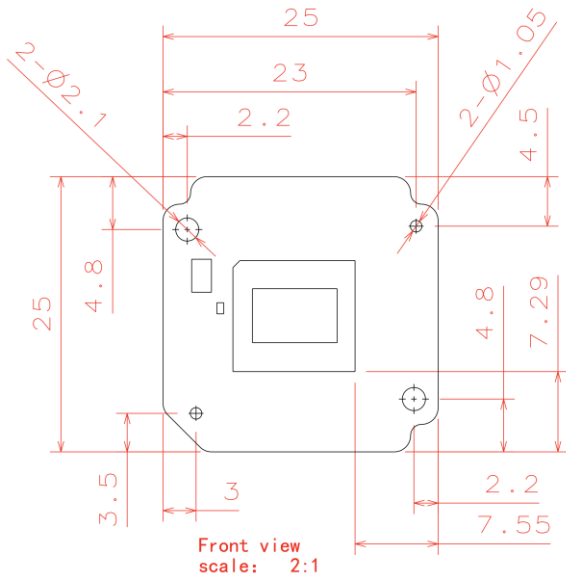
#	Name	SPEC	QTY/SET
1	Lens	M12 lens	1
2	Screw	M2*8 cross flat head black ZINC	4
3	Shell 2	AL6061-T6 BLACK Anodizing	1
4	Sealing ring	Silicon rubber, White	1
5	LI-IMX390-MIPI-FKR	IMX390 sensor board	1
6	Copper pillar	M2*5+3	2
7	LI-TI953-FKR	FPD-Link III serializer board	1
8	O ring	6.5*1.5 Silicon rubber Red	1
9	Screw	M2*4 cross pan head black ZINC	2
10	Shell 1	AL6061-T6 BLACK Anodizing	1



Leopard Imaging Inc.

48820 Kato Rd, Suite 100B, Fremont, CA 94538, USA  
 Phone: +1-408-263-0988  
 Fax: +1-408-217-1960  
 Email: sales@leopardimaging.com  
 Website: www.leopardimaging.com

# Camera boards Dimensions



Leopard Imaging Inc.

48820 Kato Rd, Suite 100B, Fremont, CA 94538, USA  
 Phone: +1-408-263-0988  
 Fax: +1-408-217-1960  
 Email: sales@leopardimaging.com  
 Website: www.leopardimaging.com

## Water Proof

- Metal Housing
- Water-proof M12 lens
- Sealed Gasket (White)
- Sealed O-ring (Red)

Note: The lens must be glued for water-proof.



## Cable Connector

- Housing Connector- FAKRA Z Type
- Cable length: 3 meters  
Support single Coax Cable transmit up to 12 meters
- Cable Part#: FAK-SMZSMZ-3M
- FAKRA type connectors



Leopard Imaging Inc.

48820 Kato Rd, Suite 100B, Fremont, CA 94538, USA  
Phone: +1-408-263-0988  
Fax: +1-408-217-1960  
Email: [sales@leopardimaging.com](mailto:sales@leopardimaging.com)  
Website: [www.leopardimaging.com](http://www.leopardimaging.com)

## Ordering Information

**Part#: LI-IMX390-FPDLINKIII-xxxH**

Note:

xxxH - 060H: FOV H 60°  
 120H: FOV H 120°  
 200H: FOV H 200°

LI-IMX390-FPDLINKIII-060H	LI-IMX390-FPDLINKIII-120H	LI-IMX390-FPDLINKIII-200H
		
<p>Lens: M127B0618W                  Lens EFL: 6.0 mm                  FOV(D): 74.5°                  FOV(H): 60.6°                  FOV(V): 36.1°</p>	<p>Lens: M128B02820WM12R1                  Lens EFL: 2.8 mm                  FOV(D): 148°                  FOV(H): 122°                  FOV(V): 74°</p>	<p>Lens: F13B0108WM12R1                  Lens EFL: 1.08 mm                  FOV(D): 200°                  FOV(H): 200°                  FOV(V): 200°</p>
		



Leopard Imaging Inc.

48820 Kato Rd, Suite 100B, Fremont, CA 94538, USA  
 Phone: +1-408-263-0988  
 Fax: +1-408-217-1960  
 Email: sales@leopardimaging.com  
 Website: www.leopardimaging.com

# LI-USB30-IMX390-FPDLINKIII-xxxH

## LI-TI954-DESER



Front View

## LI-USB30-CNTL



Back View

LI-IMX390-FPDLINKIII-xxxH can connect to USB 3.0 EVA module as a USB 3.0 camera.  
Part#: **LI-USB30-IMX390-FPDLINKIII-xxxH**

## Key Features

- USB 3.0 Super Speed support
- RAW data output without compression
- UVC compliance
- Provide customization services
- 12VDC Power Supply
- Weight: 86 g
- Single Coax Cable transmit up to 12 meter PoC(Power over Cable)
- Support 1936x1100
- Power consumption: Approx. 122mA at 12VDC
- Support Windows, Linux OS and other OS which include UVC drivers

## SDK Supported

- Camera Tool Source Code in C#
- Capture & Display
- Save file as BMP & RAW format



Leopard Imaging Inc.

48820 Kato Rd, Suite 100B, Fremont, CA 94538, USA  
Phone: +1-408-263-0988  
Fax: +1-408-217-1960  
Email: sales@leopardimaging.com  
Website: www.leopardimaging.com

## Revision History

Revision	Description	Release Date
1.0	First Release	3. May. 2018
1.1	Update the LI-TI954-DESER to V1.1	12. Jun. 2018



Leopard Imaging Inc.

48820 Kato Rd, Suite 100B, Fremont, CA 94538, USA  
Phone: +1-408-263-0988  
Fax: +1-408-217-1960  
Email: [sales@leopardimaging.com](mailto:sales@leopardimaging.com)  
Website: [www.leopardimaging.com](http://www.leopardimaging.com)