



LEOPARD IMAGING INC

# LI-GC2755-USB-M7 Data Sheet

## Key Features

- Support 2M video streaming
- MJPEG compression
- USB 2.0 compliance
- Size: 60mmx9mm
- Low cost with high quality
- Customized based on customer's specs



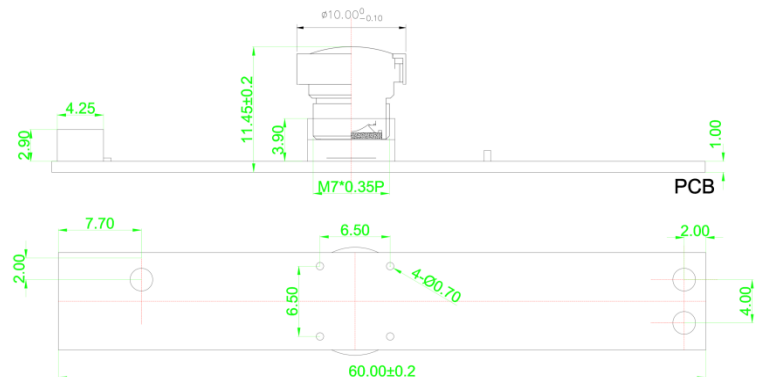
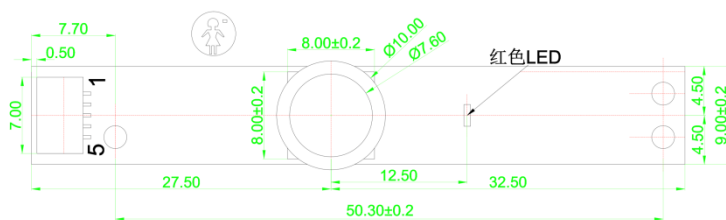
## Interface (SM05B-SRSS-TB)

5 Pin USB Connector (SM05B-SRSS-TB)	
Pin No.	Name
1	USB_5V
2	USB_DM
3	USB_DP
4	GND
5	Shield_Ground

## Lens Specification

- Focusing Range: 30cm to infinity
- Focal Length: 1.02 mm
- F Number: 2.25
- Fov (D): 130 °
- TV Distortion: <-15%
- Sensor: GC2755

## Dimensions



Leopard Imaging Inc.

48820 Kato Rd, Suite 100B, Fremont, CA 95035, USA  
 Phone: +1-408-263-0988  
 Fax: +1-408-217-1960  
 Email: sales@leopardimaging.com  
 Website: www.leopardimaging.com

# Specification

General Behavior	
Video Resolution @ Frame rate	1920 x 1080 MJPEG @ 30 fps/20fps/15fps 1280 x 720 MJPEG @ 30 fps/20fps/15fps 640 x 480 MJPEG @ 25 fps 1920 x 1080 YUV @ 5fps 1280 x 720 YUV @ 10 fps/5fps 640 x 480 YUV @ 25 fps
Adjustment	The following can be adjusted manually: Brightness, Contrast, Hue, Saturation, Sharpness, Gamma, White Balance (default: Auto), Backlight Comp, Gain, Exposure (default: Auto).
Interface (Optical)	
Sensor specification	GalaxyCore GC2755 Image Sensor
Shutter	Rolling
Format	1/5"
Resolution	H:1936, V:1096
Pixel size	H:1.6 um, V: 1.6 um
Sensitivity	$7.24 \times 10^3$ e-/Lux-sec
S/N Ratio	38.7 dB
Dynamic Range	69.5 dB
Dark Current	50 e-/s
Lens	M7 lens
Interface (Electrical)	
Interface	USB 2.0
Supply voltage	USB 2.0 +5 VDC power source
Current consumption	TBD
Interface (Mechanical)	
Dimensions	L: 60 mm, W: 9 mm, H: 11.45 mm
Mass	2 g
Environmental	
Max. temperature (stable image)	0 °C ~ 50 °C (32 °F~ 122 °F)
Max. temperature (operation)	-10 °C ~ 60 °C (14 °F~ 140 °F)
Max. temperature (storage)	-20 °C ~ 80 °C (-4 °F~176 °F)
Max. humidity (operation)	20 % ~ 80 %, relative, non-condensing
Max. humidity (storage)	20 % ~ 80 %, relative, non-condensing



Leopard Imaging Inc.

48820 Kato Rd, Suite 100B, Fremont, CA 95035, USA  
 Phone: +1-408-263-0988  
 Fax: +1-408-217-1960  
 Email: sales@leopardimaging.com  
 Website: www.leopardimaging.com