



LEOPARD IMAGING INC

LI-AR0239-GW5400-FPDLINKIII-xxxH Data Sheet

Key Features

- ON SEMI 2.3MP CMOS RGB-IR Image Sensor AR0239
- Optical format: 1/2.7"
- Resolution: 1920 (H) x 1080 (V)
- Pixel size: 3.0 x 3.0 μm
- YUV output without compression
- Includes GEO Semi GW5400 ISP
- Support HDR
- Lens: FOV H 137° / 200°
- Built-in 650nm+940nm Dual band filter
- TI953 FPDLINKIII Serializer
- Connector: FAKRA Z TYPE
- Water proof: IPX9K
- Operating Temp: -30 ~ +85 °C
- Storage Temp: -40 ~ +105 °C
- Weight: ~ 50 g
- Part#:

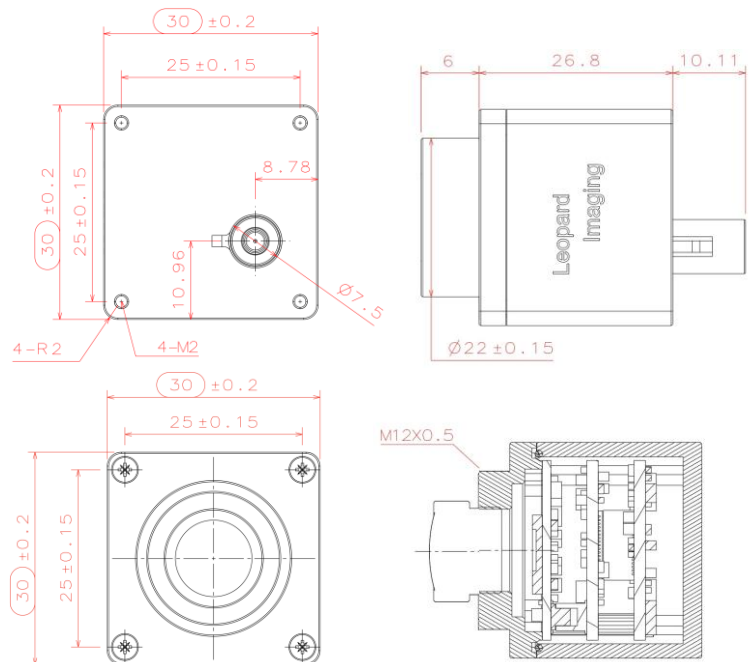
LI-AR0239-GW5400-FPDLINKIII-xxxH



Application

- Automotive ADAS
- 1080p video applications
- ADAS + Viewing Fusion

Dimensions



USA Office
 48820 Kato Rd, Suite 100B, Fremont, CA 95035, USA
 Phone: +1-408-263-0988
 Fax: +1-408-217-1960
 Email: sales@leopardimaging.com
 Website: www.leopardimaging.com

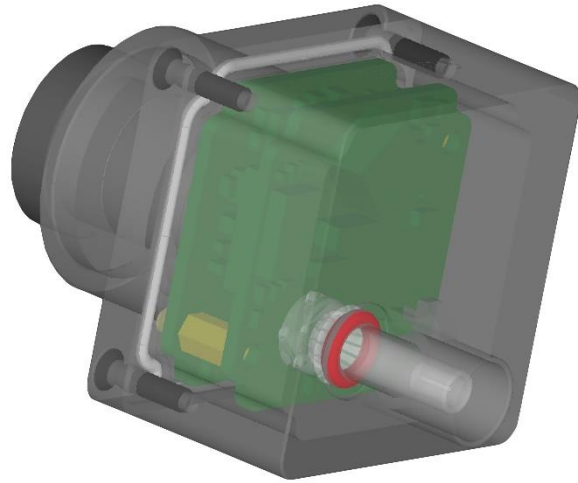
Shanghai Office (China)

上海市闵行区宜山路 1618 号新意城 A 座 9 楼 A910, 201103
 Phone: + 86-139-1857-8492
 王斌(Robin Wang)
 Email: robinw@leopardimaging.com

Water Proof

- Metal Housing
- Water-proof M12 lens
- Sealed Gasket (White)
- Sealed O-ring (Red)

Note: The lens must be glued for water-proof.



Cable Connector

- Housing Connector- FAKRA Z Type
- Cable length: 3 meters
Support single Coax Cable transmit up to 12 meters
- Cable Part#: FAK-SMZSMZ-3M
- FAKRA type connectors



USA Office
48820 Kato Rd, Suite 100B, Fremont, CA 95035, USA
Phone: +1-408-263-0988
Fax: +1-408-217-1960
Email: sales@leopardimaging.com
Website: www.leopardimaging.com

Shanghai Office (China)

上海市闵行区宜山路 1618 号新意城 A 座 9 楼 A910, 201103
Phone: + 86-139-1857-8492
王斌(Robin Wang)
Email: robinw@leopardimaging.com

Ordering Information

Part#: LI-AR0239-GW5400-FPDLINKIII-xxxH

Note:

xxxH - 137H: FOV H 137°

xxxH - 200H: FOV H 200°

LI-AR0239-GW5400-FPDLINKIII-137H	LI-AR0239-GW5400-FPDLINKIII-200H
	
<p>Lens EFL: 2.666 mm F/#: 2.4 FOV(D): 168.14° FOV(H): 137.54° FOV(V): 71.58° Built-in 650nm + 940nm Dual band filter M12 Mount</p>	<p>Lens EFL: 1.34 mm +/- 5% F/#: 2.0 +/- 5% FOV(D): 200° FOV(H): 200° FOV(V): 125° Built-in 650nm + 940nm Dual band filter M12 Mount</p>

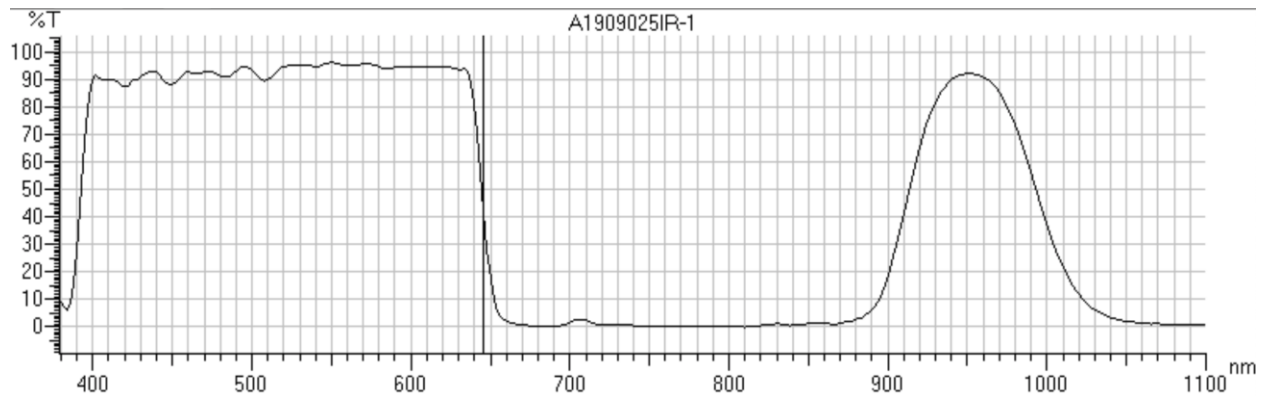


USA Office
 48820 Kato Rd, Suite 100B, Fremont, CA 95035, USA
 Phone: +1-408-263-0988
 Fax: +1-408-217-1960
 Email: sales@leopardimaging.com
 Website: www.leopardimaging.com

Shanghai Office (China)

上海市闵行区宜山路 1618 号新意城 A 座 9 楼 A910, 201103
 Phone: + 86-139-1857-8492
 王斌(Robin Wang)
 Email: robinw@leopardimaging.com

650nm + 940nm Dual band filter



Peak #	Start (nm)	Apex (nm)	End (nm)	Height (%T)	Area (%T*nm)	Valley (nm)	Valley (%T)
1	1100.00	1080.00	946.00	0.93	4677.65	946.00	93.33
2	946.00	858.00	842.00	0.26	3725.43	842.00	1.61
3	842.00	780.00	732.00	0.02	24.53	732.00	0.76
4	732.00	722.00	706.00	0.57	31.33	706.00	2.67
5	706.00	684.00	600.00	0.34	4220.24	600.00	95.33
6	600.00	574.00	560.00	93.01	3970.43	560.00	95.55
7	560.00	550.00	540.00	95.08	2097.31	540.00	95.63
8	540.00	506.00	494.00	90.45	4495.85	494.00	95.00
9	494.00	478.00	470.00	91.57	2418.99	470.00	92.99
10	470.00	448.00	436.00	87.92	3283.20	436.00	93.00

Image Sample



RGB mode



IR mode



USA Office
 48820 Kato Rd, Suite 100B, Fremont, CA 95035, USA
 Phone: +1-408-263-0988
 Fax: +1-408-217-1960
 Email: sales@leopardimaging.com
 Website: www.leopardimaging.com

Shanghai Office (China)

上海市闵行区宜山路 1618 号新意城 A 座 9 楼 A910, 201103
 Phone: + 86-139-1857-8492
 王斌(Robin Wang)
 Email: robinw@leopardimaging.com

LI-GMSL2-FP-USB-BOX



LI-AR0239-GW5400-FPDLINKIII can connect to LI-GMSL2-FP-USB-BOX as a USB 3.0 camera. Part#: [LI-USB30-AR0239-GW5400-FPDLINKIII-xxxH](#)

Key Features

- USB 3.0 Super Speed support
- YUV output without compression
- Support HDR
- Support RGB and IR mode
- UVC compliance
- Provide customization services
- 12 VDC Power Supply (Comes with camera)
- Weight: ~ 178 g
- Single Coax Cable transmit up to 12 meter PoC(Power over Cable)
- Support 1920 x 1080 @ 30 fps
- Power consumption: < 140 mA @ 12 VDC
- Support Windows, Linux OS and other OS which include UVC drivers



SDK Supported

- Camera Tool Source Code in C#
- Capture & Display



USA Office
48820 Kato Rd, Suite 100B, Fremont, CA 95035, USA
Phone: +1-408-263-0988
Fax: +1-408-217-1960
Email: sales@leopardimaging.com
Website: www.leopardimaging.com

Shanghai Office (China)

上海市闵行区宜山路 1618 号新意城 A 座 9 楼 A910, 201103
Phone: + 86-139-1857-8492
王斌(Robin Wang)
Email: robinw@leopardimaging.com

Revision History

Revision	Description	Release Date
1.0	First Release	7. Jan. 2020
1.1	Change the ISP to GW5400	1. Sep. 2020
1.2	Change lens to 137H and USB3.0 Tester to FP version	30. Jan. 2021



USA Office
48820 Kato Rd, Suite 100B, Fremont, CA 95035, USA
Phone: +1-408-263-0988
Fax: +1-408-217-1960
Email: sales@leopardimaging.com
Website: www.leopardimaging.com

Shanghai Office (China)

上海市闵行区宜山路 1618 号新意城 A 座 9 楼 A910, 201103
Phone: + 86-139-1857-8492
王斌(Robin Wang)
Email: robinw@leopardimaging.com