



LEOPARD IMAGING INC

LI-AR0233-GW5200-FPDLINKIII-xxxH Data Sheet

Key Features

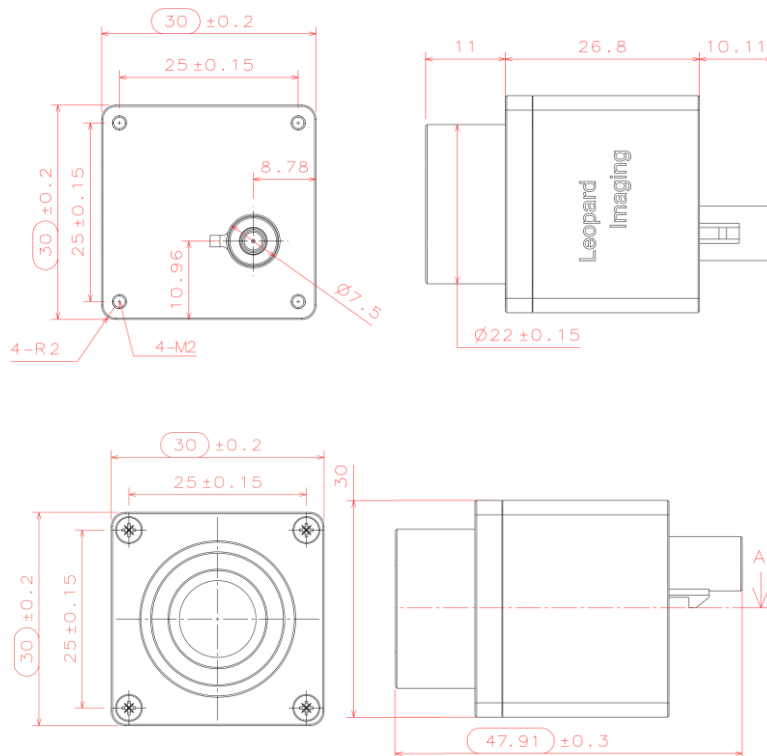
- ON SEMI 2.6MP CMOS Image Sensor AR0233AT
- Optical format: 1/2.5"
- Resolution: 1920H x 1080V
- Pixel size: 3.0 um x 3.0 um
- YUV output without compression
- Includes GEO Semi GW5200 ISP
- Support HDR
- Lens: FOV H 60° / 120°
- TI953 FPD-Link III Serializer
- Connector: FAKRA Z TYPE
- Water proof: IP69K
- Operation Temp: -40 ~ 85 °C
- Storage Temp: -40 ~ 105 °C
- Size: 30 x 30 x 37.8 mm
- Weight: 50 g
- Part#:
LI-AR0233-GW5200-FPDLINKIII-xxxH



Application

- Automotive ADAS
- 1080p video applications
- ADAS + Viewing Fusion

Dimensions



USA Office
48820 Kato Rd, Suite 100B, Fremont, CA 95035, USA
Phone: +1-408-263-0988
Fax: +1-408-217-1960
Email: sales@leopardimaging.com
Website: www.leopardimaging.com

Shanghai Office (China)

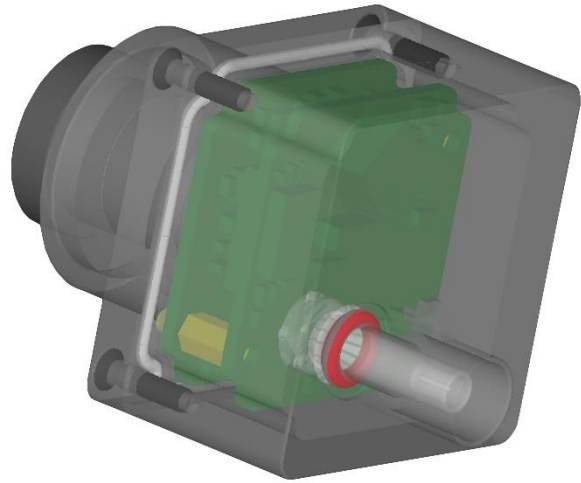
上海市闵行区宜山路 1618 号新意城 A 座 9 楼 A910, 201103
Phone: + 86-139-1857-8492
王斌(Robin Wang)
Email: robinw@leopardimaging.com



Water Proof

- Metal Housing
- Water-proof M12 lens
- Sealed Gasket (White)
- Sealed O-ring (Red)

Note: The lens must be glued on camera for water-proof.



Cable Connector

- Housing Connector- FAKRA Z Type
- Cable length: 3 meters
Support single Coax Cable transmit up to 12 meters
- Cable Part#: FAK-SMZSMZ-3M
- FAKRA type connectors



USA Office
48820 Kato Rd, Suite 100B, Fremont, CA 95035, USA
Phone: +1-408-263-0988
Fax: +1-408-217-1960
Email: sales@leopardimaging.com
Website: www.leopardimaging.com

Shanghai Office (China)

上海市闵行区宜山路 1618 号新意城 A 座 9 楼 A910, 201103
Phone: + 86-139-1857-8492
王斌(Robin Wang)
Email: robinw@leopardimaging.com

Ordering Information

Part#: LI-AR0233-GW5200-FPDLINKIII-xxxH

Note:

xxxH - 060H: FOV H 60°

xxxH - 120H: FOV H 120°

LI-AR0233-GW5200-FPDLINKIII-060H	LI-AR0233-GW5200-FPDLINKIII-120H
	
<p>Lens EFL: 5.83 mm F/#: 1.8 FOV(D): 72° FOV(H): 59.8° FOV(V): 34° M12 Mount Water proof: IP69K</p>	<p>Lens EFL: 2.914 mm +/- 5% F/#: 1.8 +/- 5% FOV(H): 140° FOV(H): 120.3° FOV(H): 65.3° M12 Mount Water proof: IP69K</p>



USA Office
48820 Kato Rd, Suite 100B, Fremont, CA 95035, USA
Phone: +1-408-263-0988
Fax: +1-408-217-1960
Email: sales@leopardimaging.com
Website: www.leopardimaging.com

Shanghai Office (China)

上海市闵行区宜山路 1618 号新意城 A 座 9 楼 A910, 201103
Phone: + 86-139-1857-8492
王斌(Robin Wang)
Email: robinw@leopardimaging.com

LI-USB30-DESER-FPDLINKIII-FP



LI-AR0233-GW5200-FPDLINKIII can connect to LI-USB30-DESER-FPDLINKIII-FP as a USB 3.0 camera. Part#: [LI-USB30-AR0233-GW5200-FPDLINKIII-xxxH](#)

Key Features

- USB 3.0 Super Speed support
- YUV output without compression
- Support WDR
- UVC compliance
- Provide customization services
- 12VDC Power Supply (Comes with camera)
- Weight: 178 g
- Single Coax Cable transmit up to 12 meter PoC(Power over Cable)
- Support 1920x1080
- Power consumption: < 205mA @ 12VDC
- Support Windows, Linux OS and other OS which include UVC drivers



SDK Supported

- Camera Tool Source Code in C#
- Capture & Display
- ISP Rom Update



USA Office
48820 Kato Rd, Suite 100B, Fremont, CA 95035, USA
Phone: +1-408-263-0988
Fax: +1-408-217-1960
Email: sales@leopardimaging.com
Website: www.leopardimaging.com

Shanghai Office (China)

上海市闵行区宜山路 1618 号新意城 A 座 9 楼 A910, 201103
Phone: + 86-139-1857-8492
王斌(Robin Wang)
Email: robinw@leopardimaging.com

Revision History

Revision	Description	Release Date
1.0	First Release	17. Jul. 2019
1.1	Change 060H lens to LC033A	5. Aug. 2019
1.2	Remove 025H and 120H lenses	15. Oct. 2019
1.3	Add LC035 lens	10. Dec. 2019
1.4	Change the USB3.0 Tester to FP version	30. Jan. 2021



USA Office
48820 Kato Rd, Suite 100B, Fremont, CA 95035, USA
Phone: +1-408-263-0988
Fax: +1-408-217-1960
Email: sales@leopardimaging.com
Website: www.leopardimaging.com

Shanghai Office (China)

上海市闵行区宜山路 1618 号新意城 A 座 9 楼 A910, 201103
Phone: + 86-139-1857-8492
王斌(Robin Wang)
Email: robinw@leopardimaging.com