



LEOPARD IMAGING INC

LI-AR0233-FPDLINKIII-xxxH

Data Sheet

Key Features

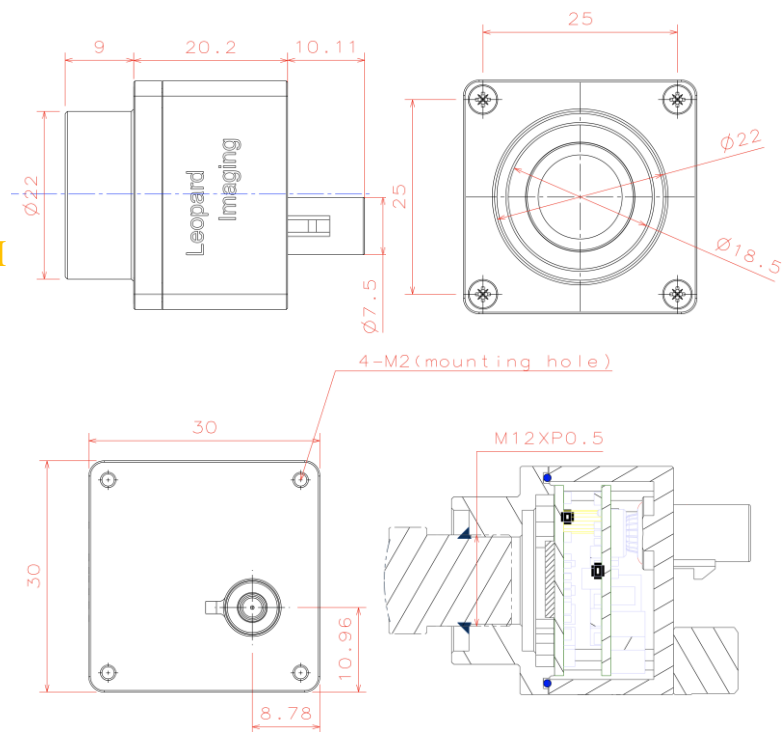
- ON SEMI 2.6MP CMOS Image Sensor AR0233AT
- Optical format: 1/2.5"
- Maximum resolution: 2048H x 1280V
- Pixel size: 3.0 um x 3.0 um
- Output Raw data
- Support HDR + LFM
- Support 9V ~ 19V Power
- Lens: HFOV 30° /65° /130°
- TI953 FPD-Link III serializer
- Connector: FAKRA Z TYPE
- Water proof: IP67
- Operation Temp: -40 ~ 85 °C
- Storage Temp: -40 ~ 125 °C
- Size: 30 x 30 x 20.2 mm
- Weight: 45g
- Part#: **LI-AR0233-FPDLINKIII-xxxH**



Application

- Automotive ADAS
- Automotive Surround and Rear-View
- ADAS + Viewing Fusion

Dimensions

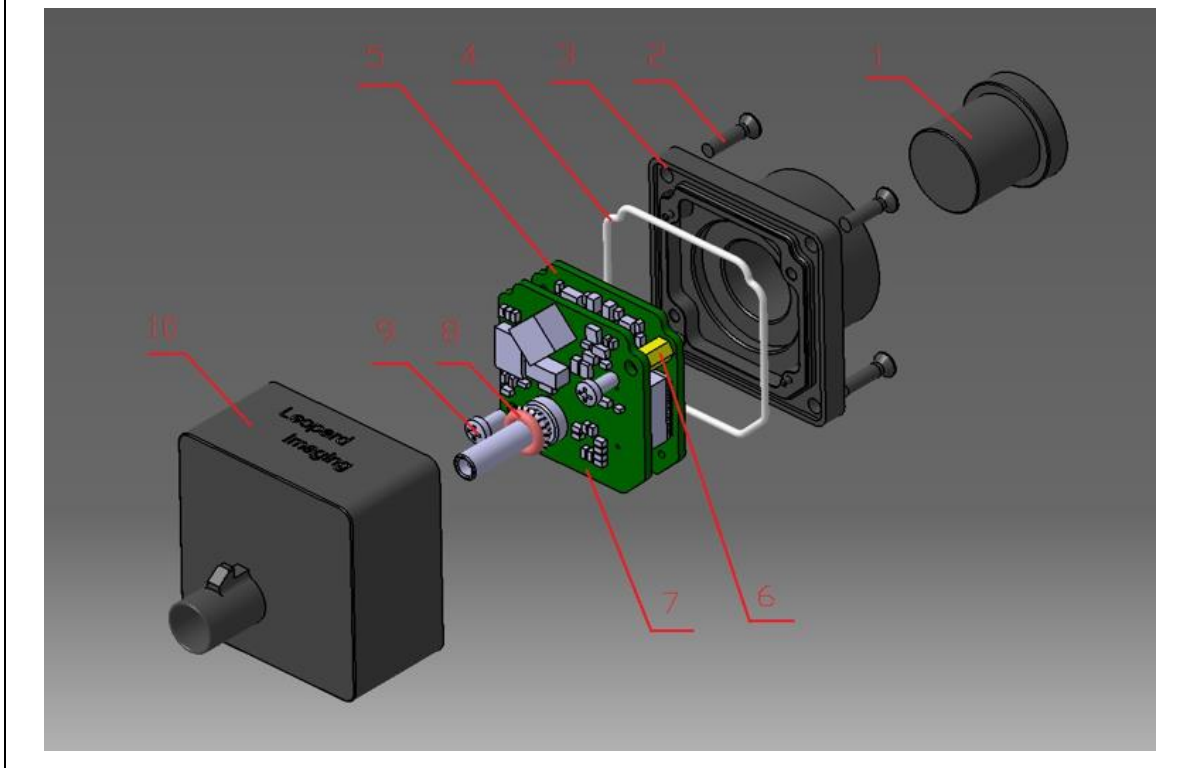


Leopard Imaging Inc.

48820 Kato Rd, Suite 100B, Fremont, CA 94538, USA
Phone: +1-408-263-0988
Fax: +1-408-217-1960
Email: sales@leopardimaging.com
Website: www.leopardimaging.com

BOM

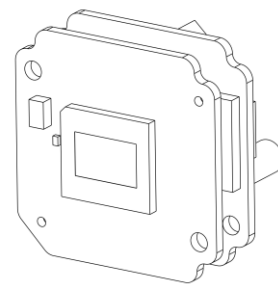
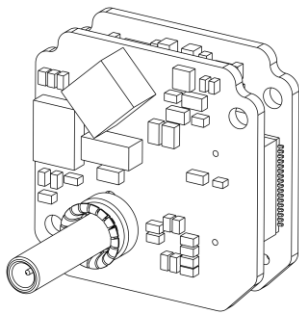
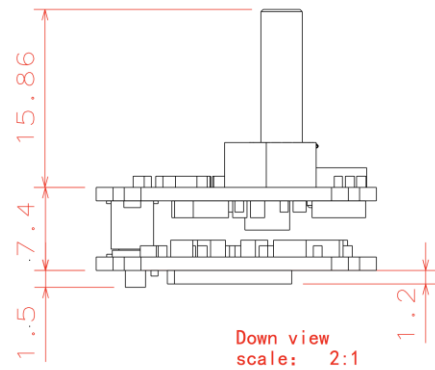
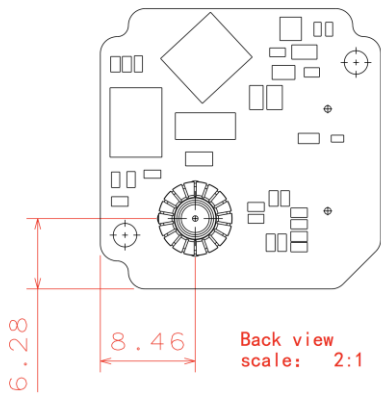
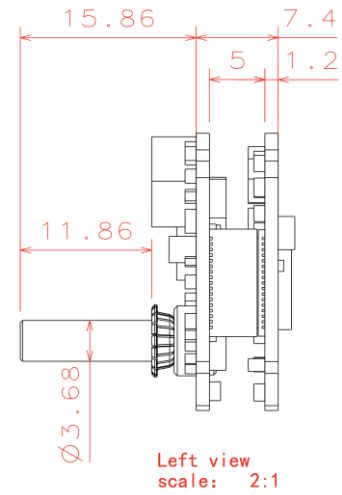
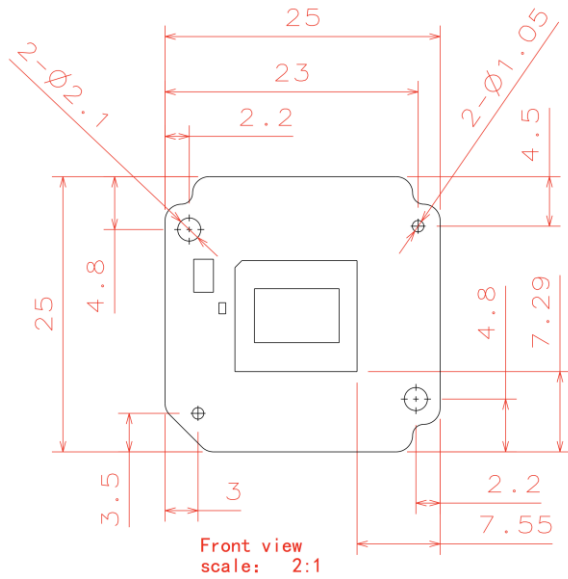
#	Name	SPEC	QTY/SET
1	Lens	4108 M127B0618WR2 AD401	1
2	Screw	M2*8 cross flat head black ZINC	4
3	Shell 2	AL6061-T6 BLACK Anodizing	1
4	Sealing ring	Silicon rubber, White	1
5	LI-AR0233-MIPI-FKR	AR0233 sensor board	1
6	Copper pillar	M2*5+3	2
7	LI-TI953-FKR	FPD-Link III serializer board	1
8	O ring	6.5*1.5 Silicon rubber Red	1
9	Screw	M2*4 cross pan head black ZINC	2
10	Shell 1	AL6061-T6 BLACK Anodizing	1



Leopard Imaging Inc.

48820 Kato Rd, Suite 100B, Fremont, CA 94538, USA
 Phone: +1-408-263-0988
 Fax: +1-408-217-1960
 Email: sales@leopardimaging.com
 Website: www.leopardimaging.com

Camera boards Dimensions

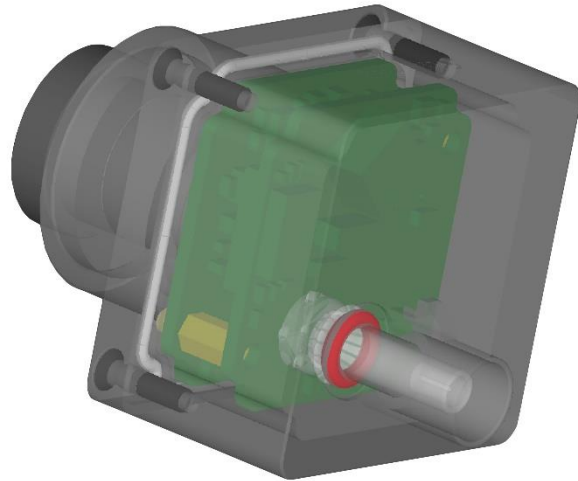


Leopard Imaging Inc.

48820 Kato Rd, Suite 100B, Fremont, CA 94538, USA
 Phone: +1-408-263-0988
 Fax: +1-408-217-1960
 Email: sales@leopardimaging.com
 Website: www.leopardimaging.com

Water Proof

- Metal Housing
- Water-proof M12 lens
- Sealed Gasket (White)
- Sealed O-ring (Red)



Cable Connector

- Housing Connector- FAKRA Z Type
- Cable length: 3 meters
Support single Coax Cable transmit up to 12 meters
- Cable Part#: FAK-SMZSMZ-0008
- FAKRA type connectors



Leopard Imaging Inc.

48820 Kato Rd, Suite 100B, Fremont, CA 94538, USA
Phone: +1-408-263-0988
Fax: +1-408-217-1960
Email: sales@leopardimaging.com
Website: www.leopardimaging.com

Ordering Information

Part#: LI-AR0233- FPDLINKIII –xxxH

Note:

xxxH – 030H: FOV H 30°
 065H: FOV H 65°
 130H: FOV H 130°

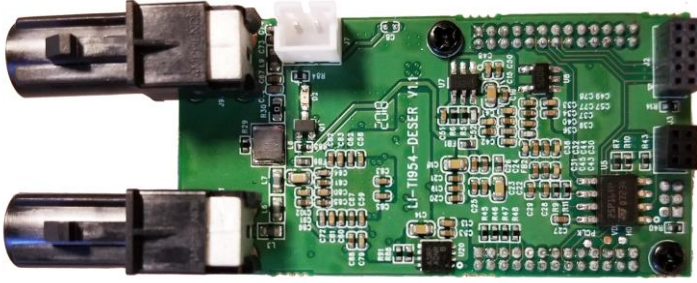
LI-AR0233-FPDLINKIII-030H	LI-AR0233-FPDLINKIII-065H	LI-AR0233-FPDLINKIII-130H
		
<p>Lens: 4108 Lens EFL: 11.05 mm F/#: 1.6 FOV(D): 33.7° FOV(H): 29.2° FOV(V): 15.9° Mount: M12</p>	<p>Lens: M127B0618WR2 Lens EFL: 6 mm F/#: 1.8 FOV(D): 78.8° FOV(H): 66° FOV(V): 34.5° Mount: M12</p>	<p>Lens: AD401 Lens EFL: 2.98 mm F/#: 2.0 FOV(D): 150.6° FOV(H): 128° FOV(V): 68° Mount: M12</p>



Leopard Imaging Inc.

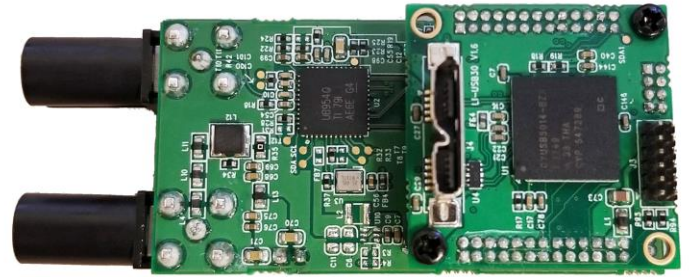
48820 Kato Rd, Suite 100B, Fremont, CA 94538, USA
 Phone: +1-408-263-0988
 Fax: +1-408-217-1960
 Email: sales@leopardimaging.com
 Website: www.leopardimaging.com

LI-TI954-DESER



Front View

LI-USB30-CNTL



Back View

LI-AR0233-FPDLINKIII can connect to USB 3.0 EVA module as a USB 3.0 camera.

Part#: **LI-USB30-AR0233-FPDLINKIII-xxxH**

Key Features

- USB 3.0 Super Speed support
- RAW data output without compression
- UVC compliance
- Provide customization services
- USB +5VDC powered device
- Weight: 86 g
- Single Coax Cable transmit up to 12 meter PoC(Power over Cable)
- Support 2048x1280@30fps
- Power consumption: < 85mA @ 12VDC
- Support Windows, Linux OS and other OS which include UVC drivers

SDK Supported

- Camera Tool Source Code in C#
- Capture & Display
- Save file as BMP & RAW format
- Support register access function



Revision History

Revision	Description	Release Date
1.0	First Release	1. Sep. 2019
1.1	Change the 065H lens to M127B0618WR2	25. Nov. 2019



Leopard Imaging Inc.

48820 Kato Rd, Suite 100B, Fremont, CA 94538, USA
Phone: +1-408-263-0988
Fax: +1-408-217-1960
Email: sales@leopardimaging.com
Website: www.leopardimaging.com