



LEOPARD IMAGING INC

LI-AR0231-FPDLINKIII-xxxH

Data Sheet

Key Features

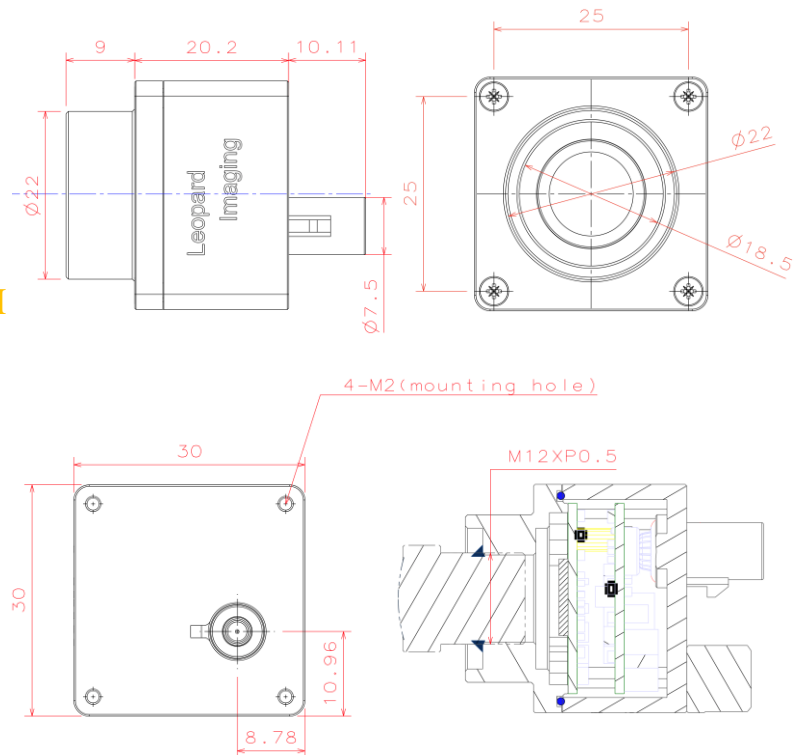
- ON SEMI 2.3MP AR0231 RCCB Sensor
- Optical format: 1/2.7"
- Maximum resolution: 1928H x 1208V
- Pixel size: 3 um x 3 um
- Full resolution @ 30fps
- Output 12 bit Raw data
- Support 9V ~ 19V Power
- Lens: FOV H 60 / 120 / 200
- TI953 FPD-Link III serializer
- Connector: FAKRA Z TYPE
- Water proof: IP67
- Operation Temp: -40 ~ 85 °C
- Storage Temp: -40 ~ 105 °C
- Size: 30 x 30 x 20.2 mm
- Weight: 45 g
- Part#: **LI-AR0231-FPDLINKIII-xxxH**



Application

- Automotive ADAS
- 1080p30 video applications
- ADAS + Viewing Fusion

Dimensions

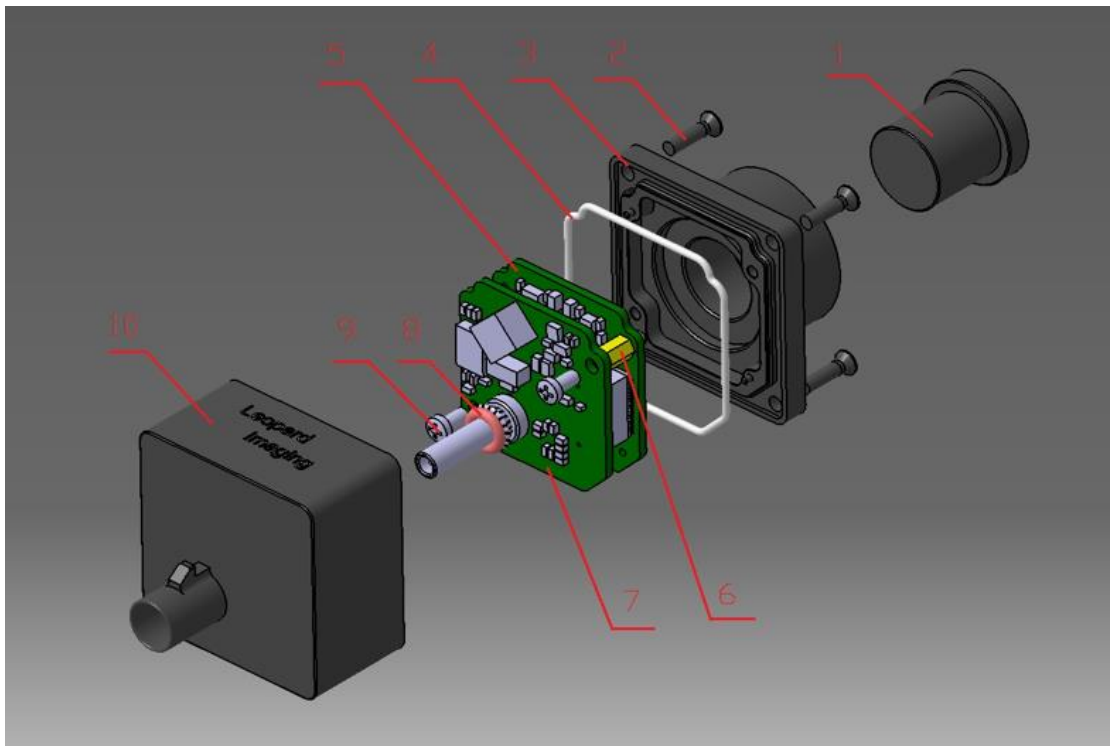


Leopard Imaging Inc.

48820 Kato Rd, Suite 100B, Fremont, CA 94538, USA
Phone: +1-408-263-0988
Fax: +1-408-217-1960
Email: sales@leopardimaging.com
Website: www.leopardimaging.com

BOM

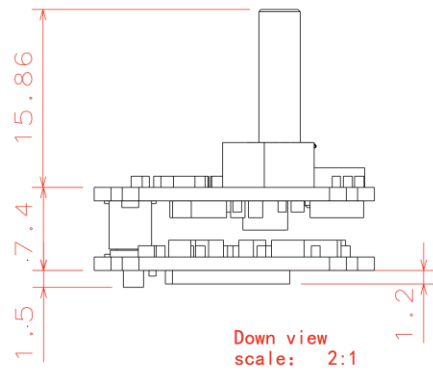
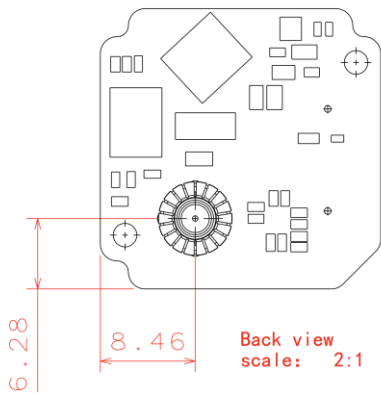
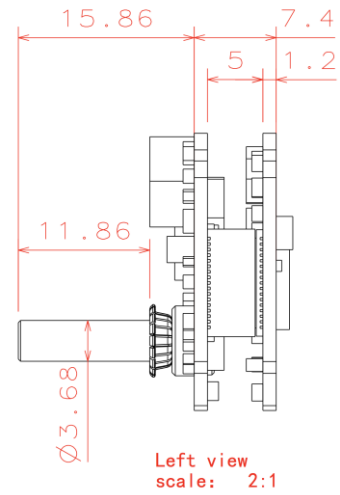
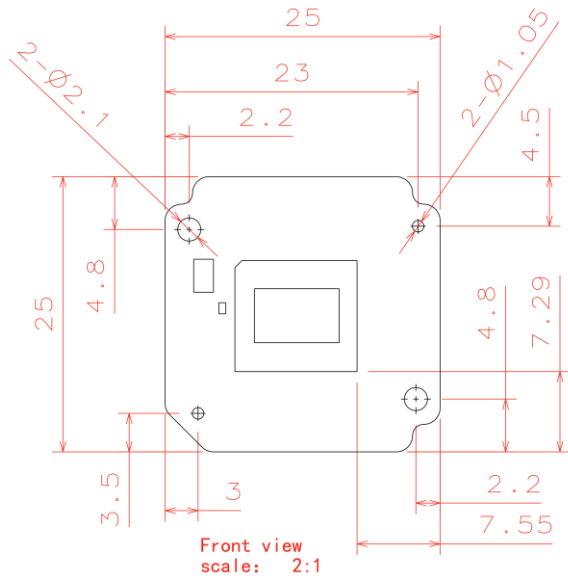
#	Name	SPEC	QTY/SET
1	Lens	M12 lens	1
2	Screw	M2*8 cross flat head black ZINC	4
3	Shell 2	AL6061-T6 BLACK Anodizing	1
4	Sealing ring	Silicon rubber, White	1
5	LI-AR0231-MIPI	AR0231 sensor board	1
6	Copper pillar	M2*5+3	2
7	LI-TI953-FKR	FPD-Link III serializer board	1
8	O ring	6.5*1.5 Silicon rubber Red	1
9	Screw	M2*4 cross pan head black ZINC	2
10	Shell 1	AL6061-T6 BLACK Anodizing	1



Leopard Imaging Inc.

48820 Kato Rd, Suite 100B, Fremont, CA 94538, USA
 Phone: +1-408-263-0988
 Fax: +1-408-217-1960
 Email: sales@leopardimaging.com
 Website: www.leopardimaging.com

Camera boards Dimensions



Leopard Imaging Inc.

48820 Kato Rd, Suite 100B, Fremont, CA 94538, USA
 Phone: +1-408-263-0988
 Fax: +1-408-217-1960
 Email: sales@leopardimaging.com
 Website: www.leopardimaging.com

Water Proof

- Metal Housing
- Water-proof M12 lens
- Sealed Gasket (White)
- Sealed O-ring (Red)

Note: The lens must be glued for water-proof.



Cable Connector

- Housing Connector- FAKRA Z Type
- Cable length: 3 meters
Support single Coax Cable transmit up to 12 meters
- Cable Part#: FAK-SMZSMZ-3M
- FAKRA type connectors



Leopard Imaging Inc.

48820 Kato Rd, Suite 100B, Fremont, CA 94538, USA
Phone: +1-408-263-0988
Fax: +1-408-217-1960
Email: sales@leopardimaging.com
Website: www.leopardimaging.com

Ordering Information

Part#: LI-AR0231- FPDLINKIII -xxxH

Note:

Sensor Revision 7: RCCB

xxxH - 060H: FOV H 60°
 120H: FOV H 120°
 200H: FOV H 200°

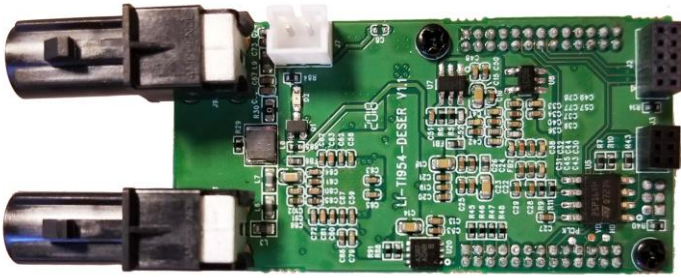
LI-AR0231-FPDLINKIII-060H	LI-AR0231-FPDLINKIII-120H	LI-AR0231-FPDLINKIII-200H
		
<p>Lens: M127B0618W Lens EFL: 6.0 mm FOV(D): 74.5° FOV(H): 60.6° FOV(V): 36.1°</p>	<p>Lens: M128B02820WM12R1 Lens EFL: 2.8 mm FOV(D): 148° FOV(H): 122° FOV(V): 74°</p>	<p>Lens: F13B0108WM12R1 Lens EFL: 1.08 mm FOV(D): 200° FOV(H): 200° FOV(V): 200°</p>
		



Leopard Imaging Inc.

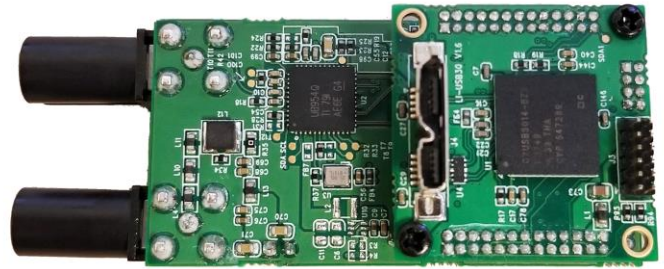
48820 Kato Rd, Suite 100B, Fremont, CA 94538, USA
 Phone: +1-408-263-0988
 Fax: +1-408-217-1960
 Email: sales@leopardimaging.com
 Website: www.leopardimaging.com

LI-TI954-DESER



Front View

LI-USB30-CNTL



Back View

LI-AR0231- FPDLINKIII can connect to USB 3.0 EVA module as a USB 3.0 camera.
Part#: **LI-USB30-AR0231-FPDLINKIII-xxxH**

Key Features

- USB 3.0 Super Speed support
- RAW data output without compression
- UVC compliance
- Provide customization services
- USB +5VDC powered device
- Weight: 86 g
- Single Coax Cable transmit up to 12 meter PoC(Power over Cable)
- Support 1928x1256@30fps
- Power consumption: TBD

SDK Supported

- Camera Tool Source Code in C#
- Capture & Display
- Save file as BMP & RAW format



Revision History

Revision	Description	Release Date
1.0	First Release	6. Mar. 2018
1.1	Update the LI-TI954-DESER to V1.1	12. Jun. 2018



Leopard Imaging Inc.

48820 Kato Rd, Suite 100B, Fremont, CA 94538, USA
Phone: +1-408-263-0988
Fax: +1-408-217-1960
Email: sales@leopardimaging.com
Website: www.leopardimaging.com