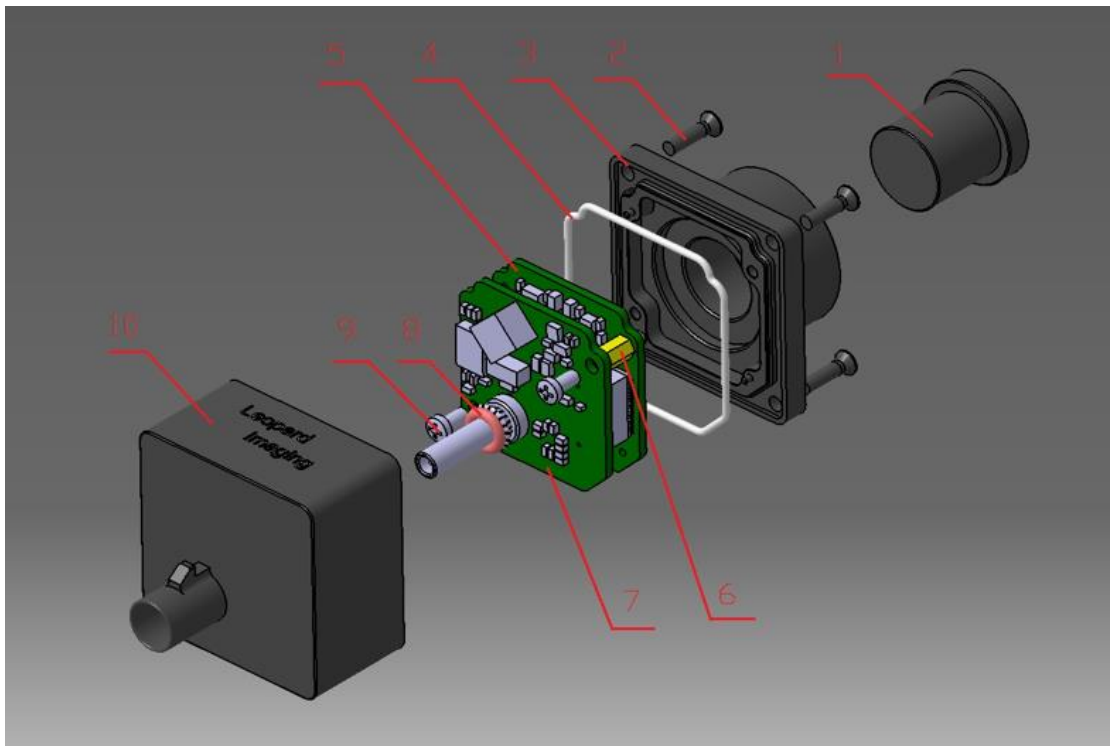




# BOM

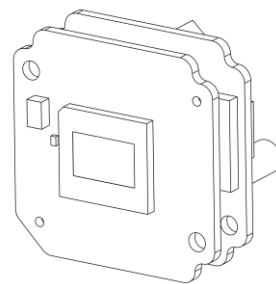
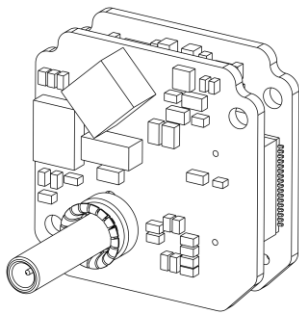
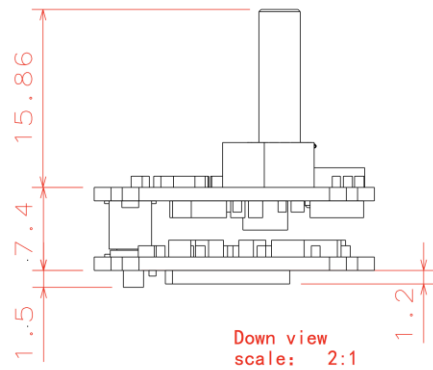
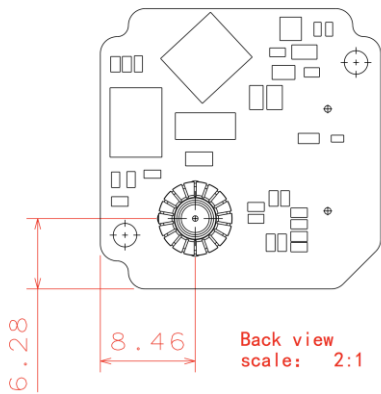
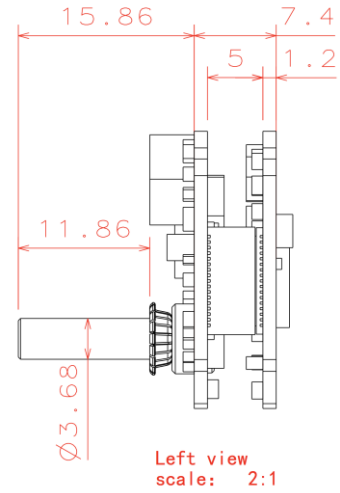
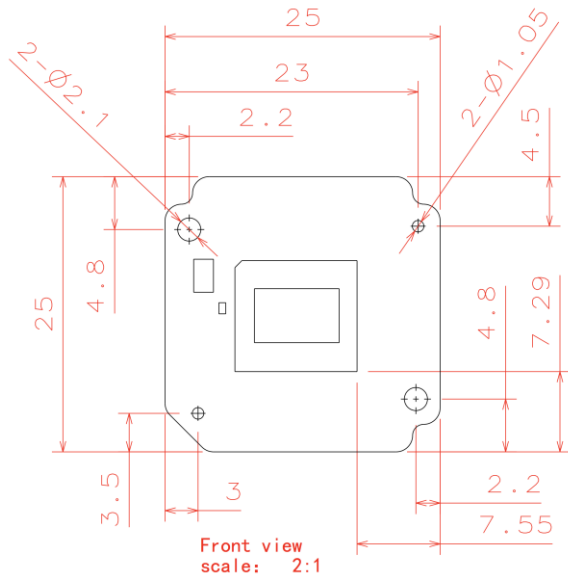
#	Name	SPEC	QTY/SET
1	Lens	M12 lens	1
2	Screw	M2*8 cross flat head black ZINC	4
3	Shell 2	AL6061-T6 BLACK Anodizing	1
4	Sealing ring	Silicon rubber, White	1
5	LI-AR0144-PAR-FKR	AR0144 sensor board	1
6	Copper pillar	M2*5+3	2
7	LI-GMSL-FKR	GMSL board	1
8	O ring	6.5*1.5 Silicon rubber Red	1
9	Screw	M2*4 cross pan head black ZINC	2
10	Shell 1	AL6061-T6 BLACK Anodizing	1



Leopard Imaging Inc.

1130 Cadillac Ct., Milpitas, CA 95035, USA  
 Phone: +1-408-263-0988  
 Fax: +1-408-217-1960  
 Email: sales@leopardimaging.com  
 Website: www.leopardimaging.com

# Camera boards Dimensions

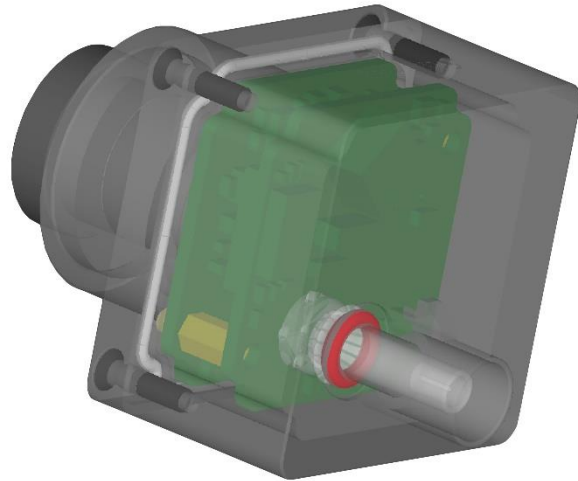


Leopard Imaging Inc.

1130 Cadillac Ct., Milpitas, CA 95035, USA  
 Phone: +1-408-263-0988  
 Fax: +1-408-217-1960  
 Email: sales@leopardimaging.com  
 Website: www.leopardimaging.com

## Water Proof

- Metal Housing
- Water-proof M12 lens
- Sealed Gasket (White)
- Sealed O-ring (Red)



## Cable Connector

- Housing Connector- FAKRA Z Type
- Cable length: 3 meters  
Support single Coax Cable transmit up to 15 meters
- Cable Part#: FAK-SMZSMZ-0008
- FAKRA type connectors



Leopard Imaging Inc.

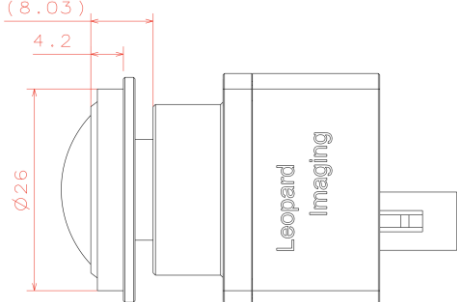
1130 Cadillac Ct., Milpitas, CA 95035, USA  
Phone: +1-408-263-0988  
Fax: +1-408-217-1960  
Email: sales@leopardimaging.com  
Website: www.leopardimaging.com

## Ordering Information

**Part#: LI-AR0144-GMSL-xxxH**

Note:

xxxH - 040H: FOV H 40°  
 080H: FOV H 80°  
 200H: FOV H 200°

LI-AR0144-GMSL-040H	LI-AR0144-GMSL-080H	LI-AR0144-GMSL-200H
		
<p>Lens: M127B0618W                  Lens EFL: 6.0 mm                  FOV(D): 46.5°                  FOV(H): 40°                  FOV(V): 22.5°</p>	<p>Lens: M128B02820WM12R1                  Lens EFL: 2.8 mm                  FOV(D): 93°                  FOV(H): 80°                  FOV(V): 46°</p>	<p>Lens: F132B0108WM12                  Lens EFL: 1.08 mm                  FOV(D): 200°                  FOV(H): 200°                  FOV(V): TBD</p>
		



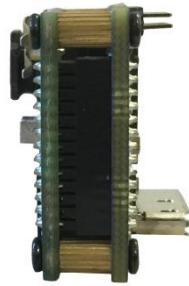
Leopard Imaging Inc.

1130 Cadillac Ct., Milpitas, CA 95035, USA  
 Phone: +1-408-263-0988  
 Fax: +1-408-217-1960  
 Email: sales@leopardimaging.com  
 Website: www.leopardimaging.com

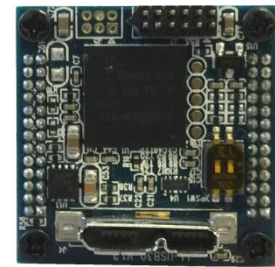
## LI-TESTER-NV



Front View



Side View



Back View

LI-AR0144-GMSL can connect to USB 3.0 EVA module as a USB 3.0 camera.

Part#: **LI-USB30-AR0144-GMSL-xxxH**

## Key Features

- USB 3.0 Super Speed support
- RAW data output without compression
- UVC compliance
- Provide customization services
- USB +5VDC powered device
- Weight: 86 g
- Single Coax Cable transmit up to 15 meter PoC(Power over Cable)
- Support 1280x800@60fps
- Power consumption: 220mA @ 5V

## SDK Supported

- Camera Tool Source Code in C#
- Capture & Display
- Save file as BMP & RAW format



Leopard Imaging Inc.

1130 Cadillac Ct., Milpitas, CA 95035, USA  
Phone: +1-408-263-0988  
Fax: +1-408-217-1960  
Email: [sales@leopardimaging.com](mailto:sales@leopardimaging.com)  
Website: [www.leopardimaging.com](http://www.leopardimaging.com)

## Revision History

Revision	Description	Release Date
1.0	First Release	8. Oct. 2017
1.1	Update the power consumption	24. Dec. 2017

